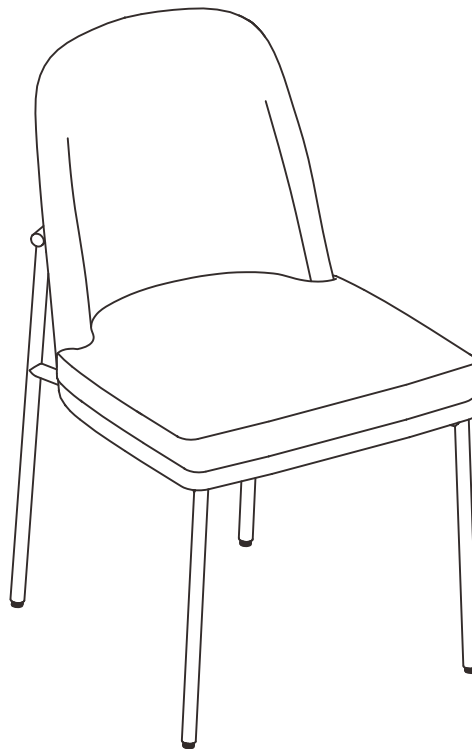




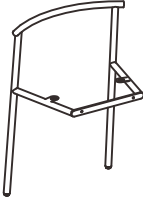
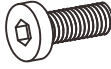
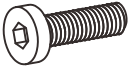
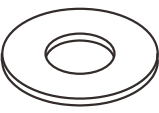



# DC7019 Assembly Manual

## Dining Chair



 **CAUTION**

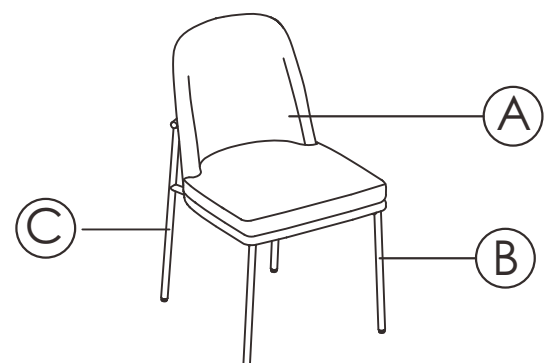
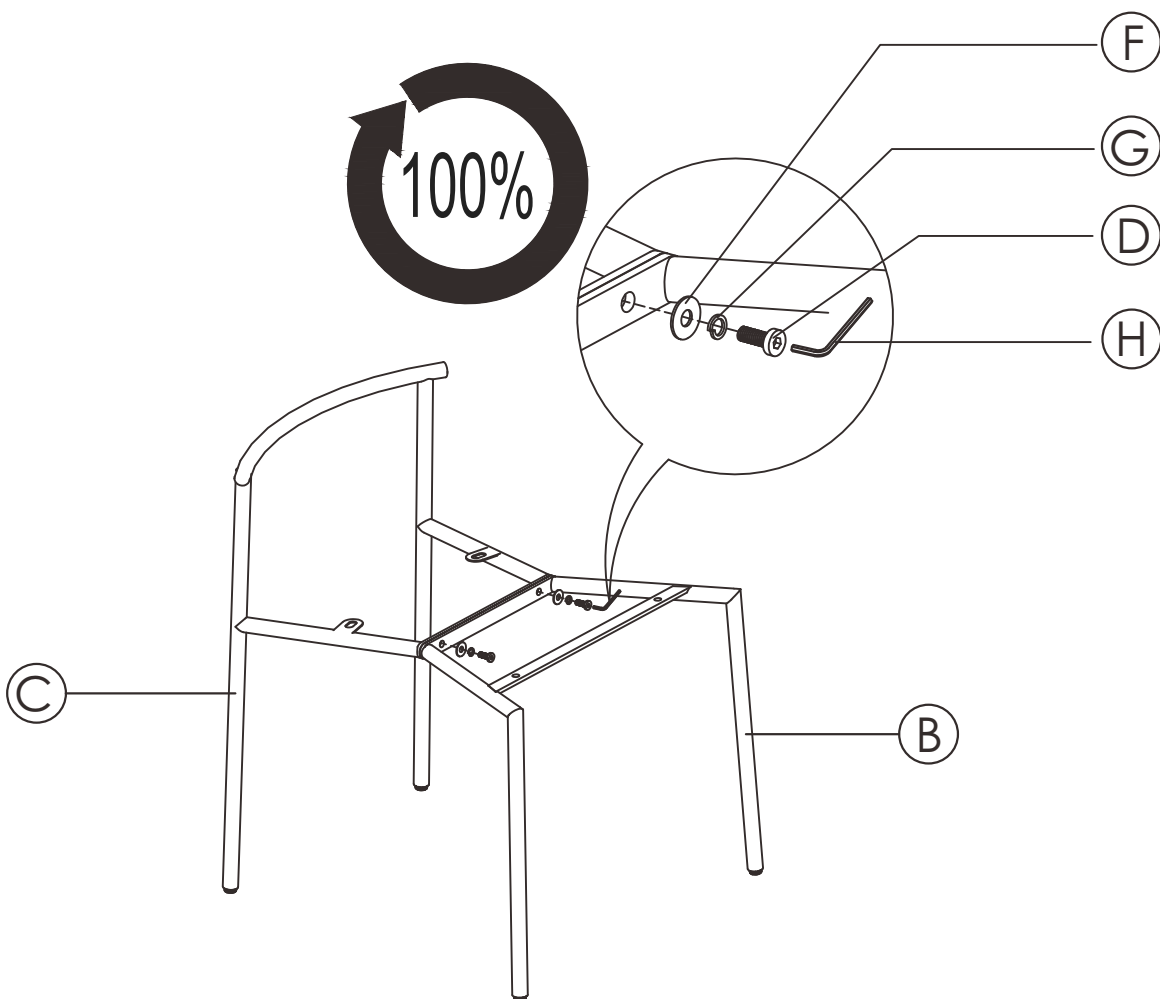
THIS ASSEMBLY MANUAL CONTAINS IMPORTANT SAFETY INFORMATION.  
PLEASE READ AND KEEP FOR FUTURE REFERENCE.

<p>Ax1</p>  <p>Seat &amp; Back</p>	<p>Bx1</p>  <p>Front Leg</p>	<p>Cx1</p>  <p>Back Leg</p>	<p>Dx2</p>  <p>M6 x 16mm Short Bolt</p>
<p>Ex4</p>  <p>M6 x 20mm Long Bolt</p>	<p>Fx6</p>  <p>M6 Flat Washer</p>	<p>Gx6</p>  <p>M6 Spring Washer</p>	<p>Hx1</p>  <p>4# Allen Wrench</p>
<p>Ix4</p>  <p>Ø15mm Felt Pad</p>			

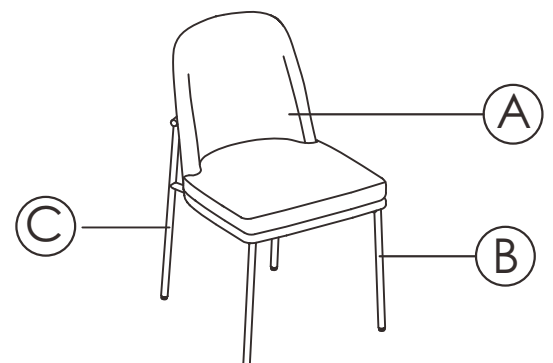
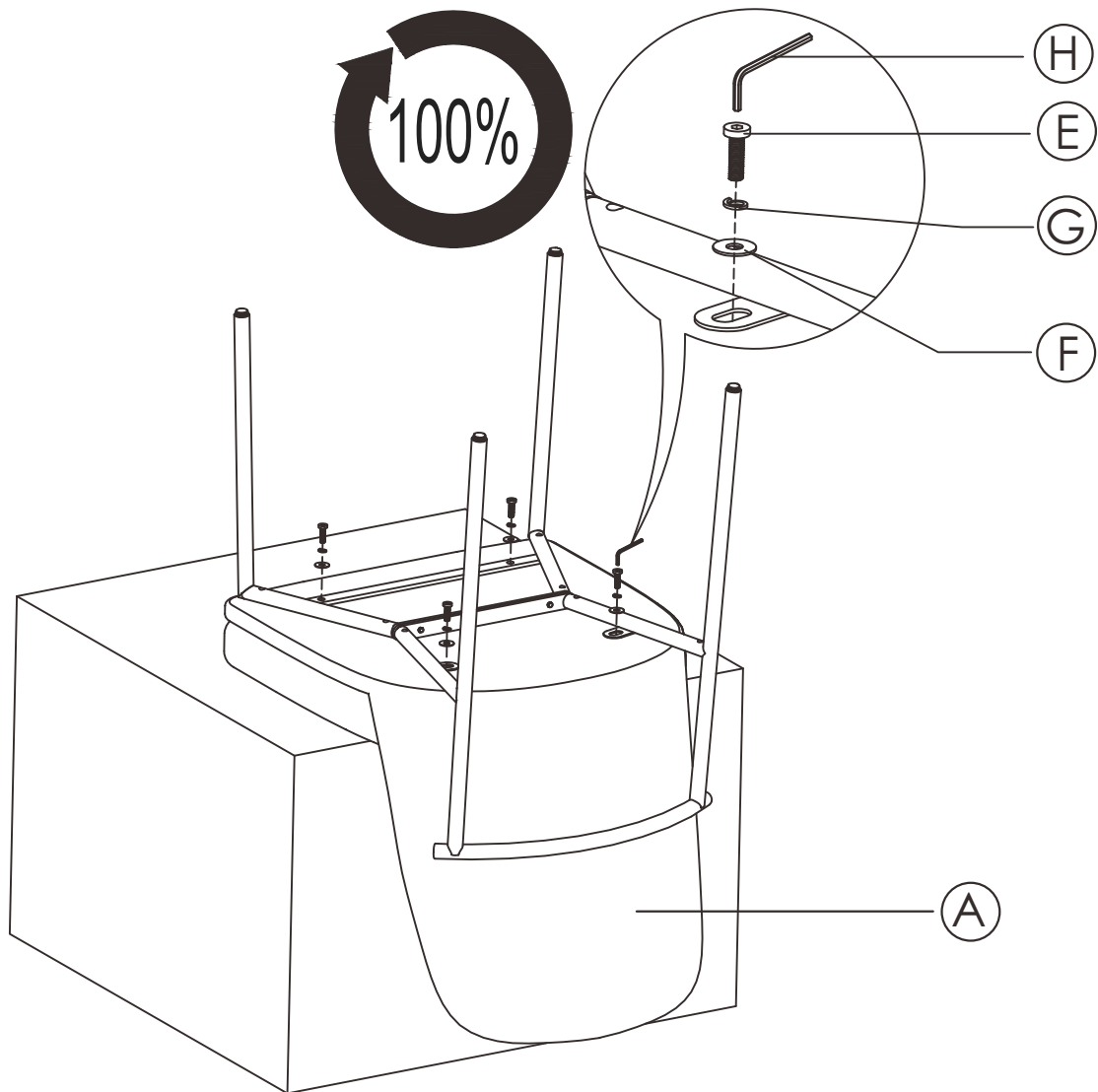
Please read through the instructions below to familiarize yourself with the parts and steps before assembly.

**Note: Do NOT use power tools for assembly.**

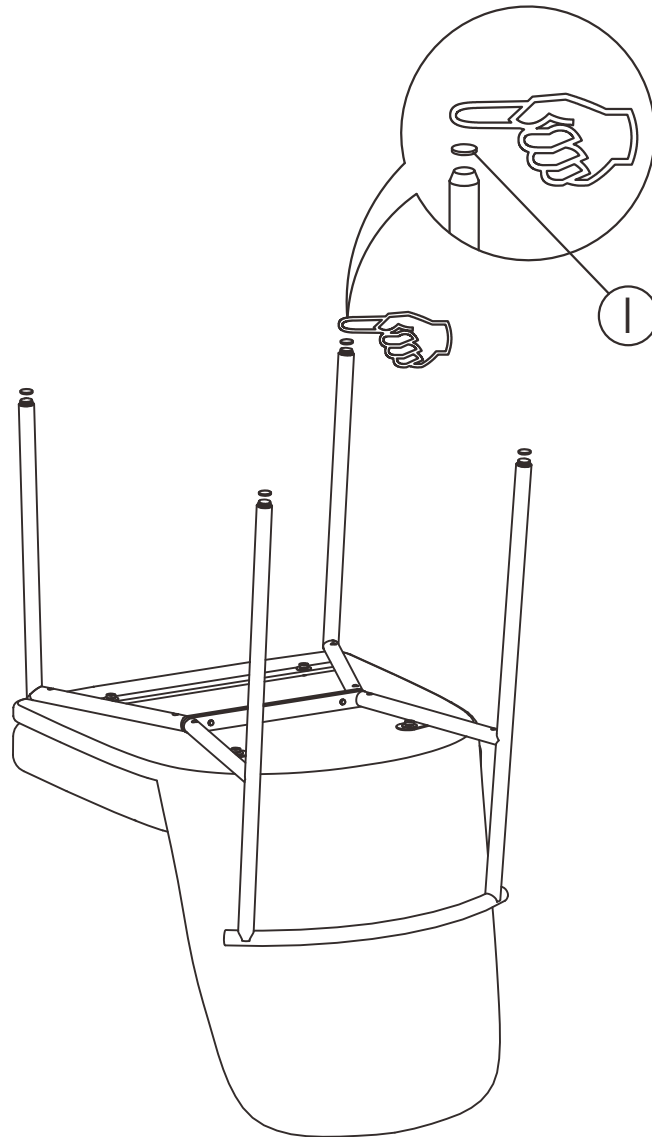
- 1 Attach the Front Leg (B) and the Back Leg (C) as indicated below, using Flat Washers (F), Spring Washers (G), Short Bolts (D), and Allen Wrench (H). **Fully tighten.**



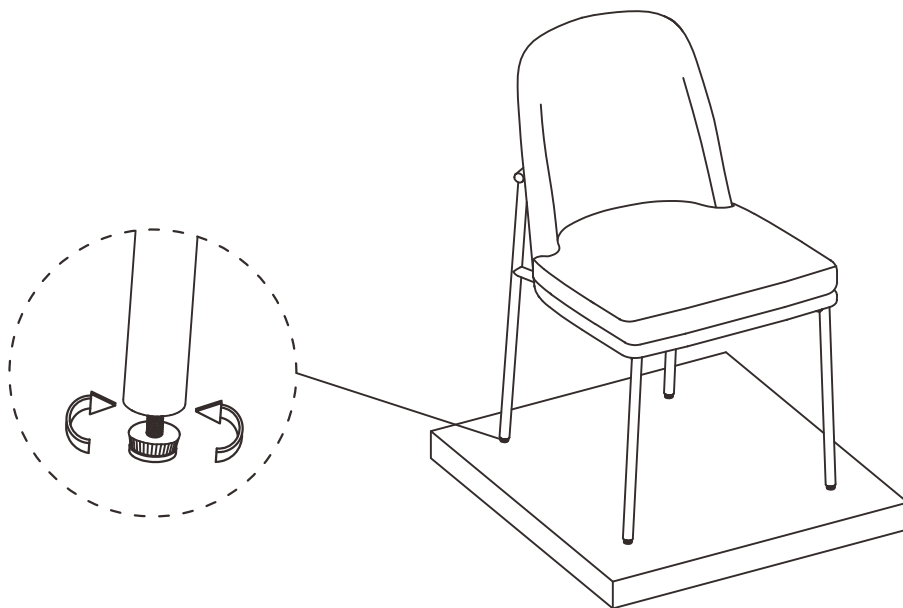
- 2** Attach the Seat & Back (A) to the assembled chair frame from Step 1, using Flat Washers (F), Spring Washers (G), Long Bolts (E), and Allen Wrench (H). **Fully tighten.**



- 3** Complimentary Felt Pads (I) are included to help protect your floor or make the chair slide easier.



- 4** Turn the assembled chair upright and place on a flat surface.  
**Note: Each leg has an adjustable foot leveler to help level your chair.**



- 5** Assembly complete. Enjoy.

