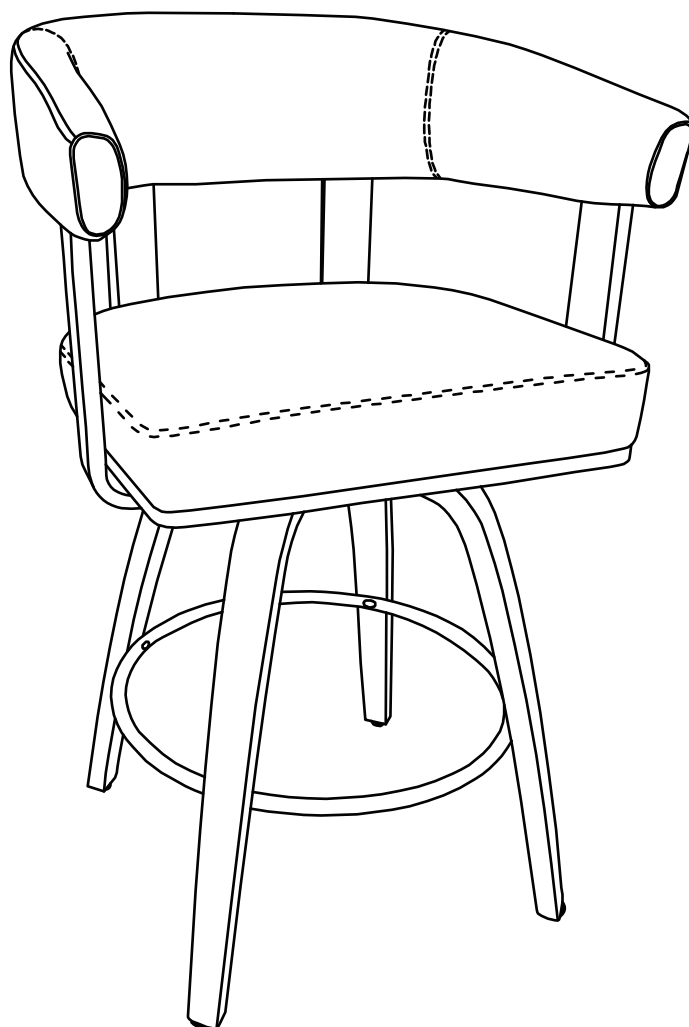
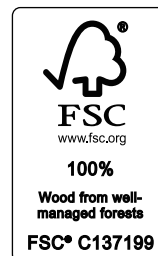


BS72026 Assembly Manual

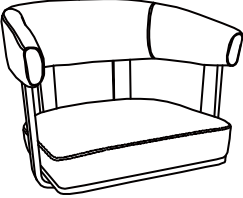
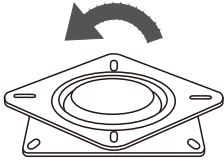
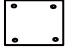






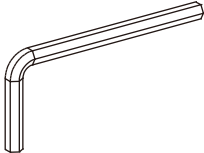

Counter Height Swivel Stool



CAUTION

THIS ASSEMBLY MANUAL CONTAINS IMPORTANT SAFETY INFORMATION.

PLEASE READ AND KEEP FOR FUTURE REFERENCE.

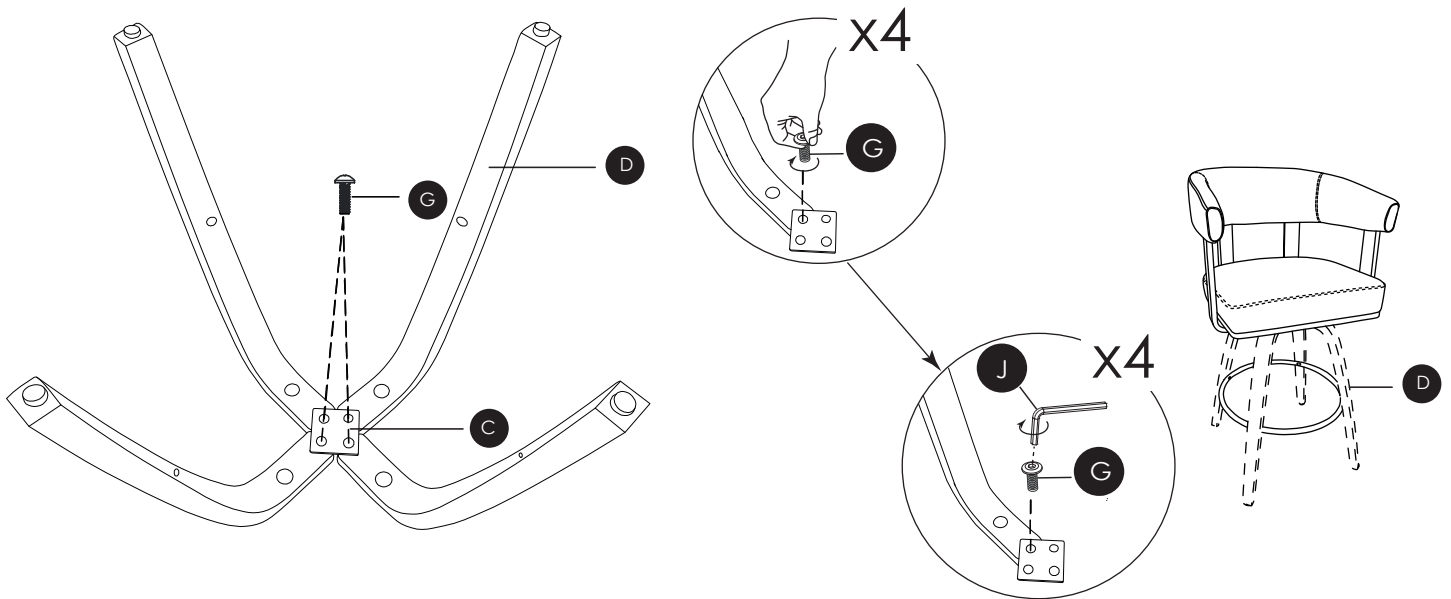
| | | |
|---|--|---|
| <p>A × 1</p>  <p>Seat</p> | <p>B × 1</p>  <p>Swivel Plate</p> | <p>C × 1</p>  <p>Iron Plate</p> |
| <p>D × 4</p>  <p>Wood Leg</p> | <p>E × 1</p>  <p>Footrest</p> | <p>F × 4</p>  <p>M6x30mm Long Bolt</p> |
| <p>G × 10</p>  <p>M6x20mm Bolt</p> | <p>H × 2</p>  <p>M6x16mm Short Bolt</p> | <p>I × 2</p>  <p>Flat Washer</p> |
| <p>J × 1</p>  <p>Allen Wrench</p> | <p>K × 4</p>  <p>15mm Felt Pad</p> | |
| | | |

Please read through the instructions below to familiarize yourself with the parts and steps before assembly.

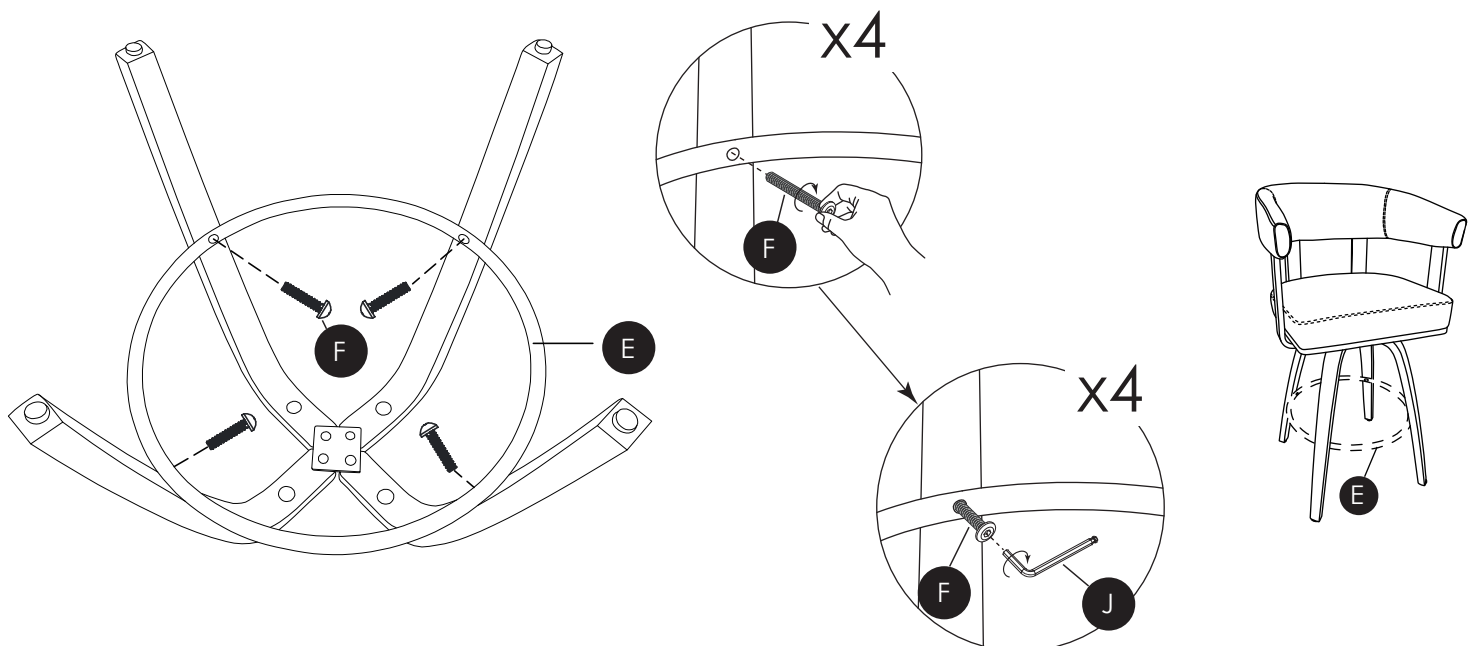
Note: Do NOT use power tools for assembly.

ASSEMBLY INSTRUCTIONS

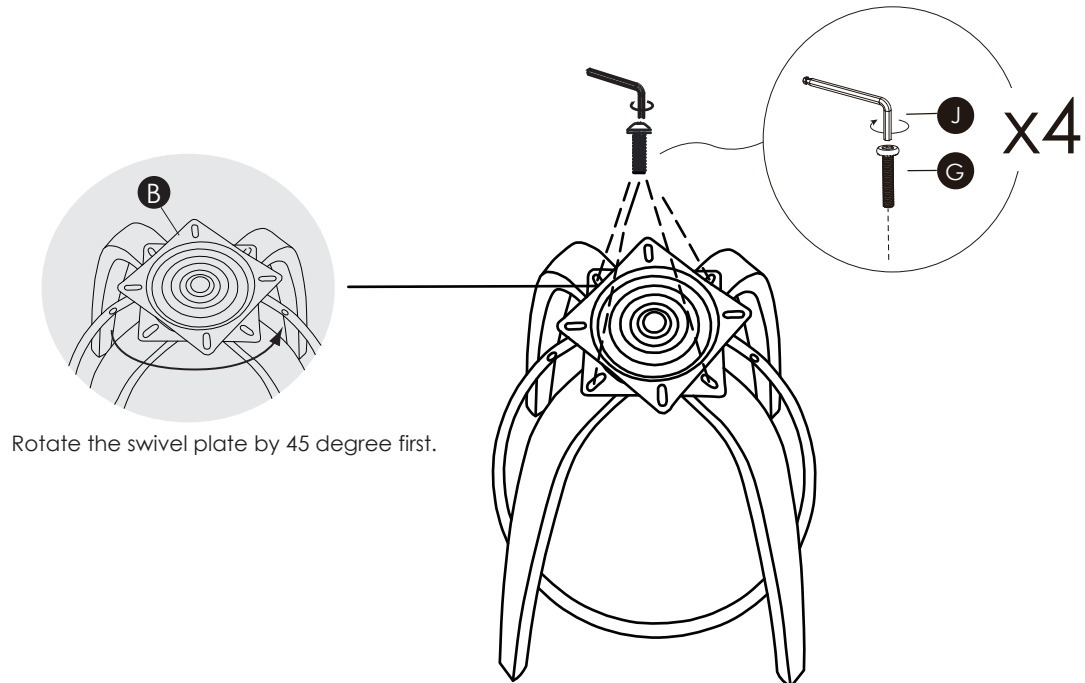
- 1 Attach all Wood Legs (D) to the Iron Plate (C), using Bolts (G) and Allen Wrench (J). **Do not fully tighten.**



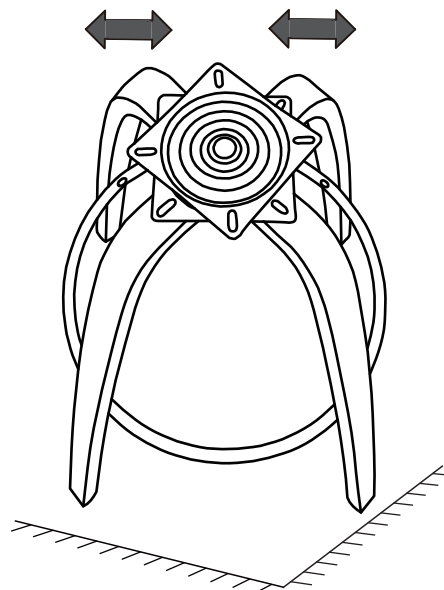
- 2 Attach the Footrest (E) to the assembled stool base in Step 1. **Loosely** attach the first Long Bolt (F) and move onto attach the diagonal Long Bolt (F), one by one. **After all bolts are attached, use Allen Wrench (K) to fully tighten.**



- 3** Flip over the stool base. Attach the Swivel Plate (B) to the assembled stool base in Step 2, using Bolts (G) and Allen Wrench (J). **Do not fully tighten yet.**



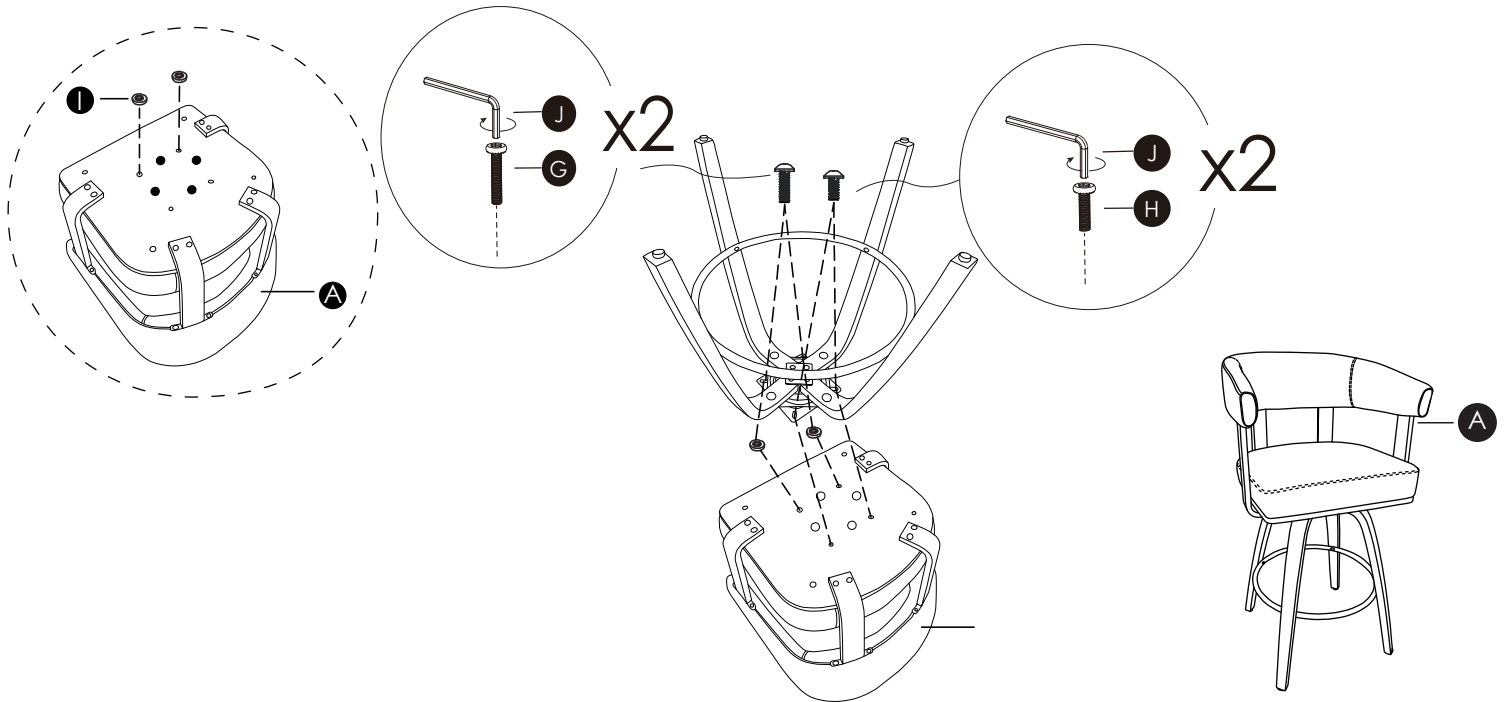
- 4** Put the assembled stool base in Step 3 on a flat surface. Push legs left or right as necessary to level. Once level, **fully tighten all bolts.**



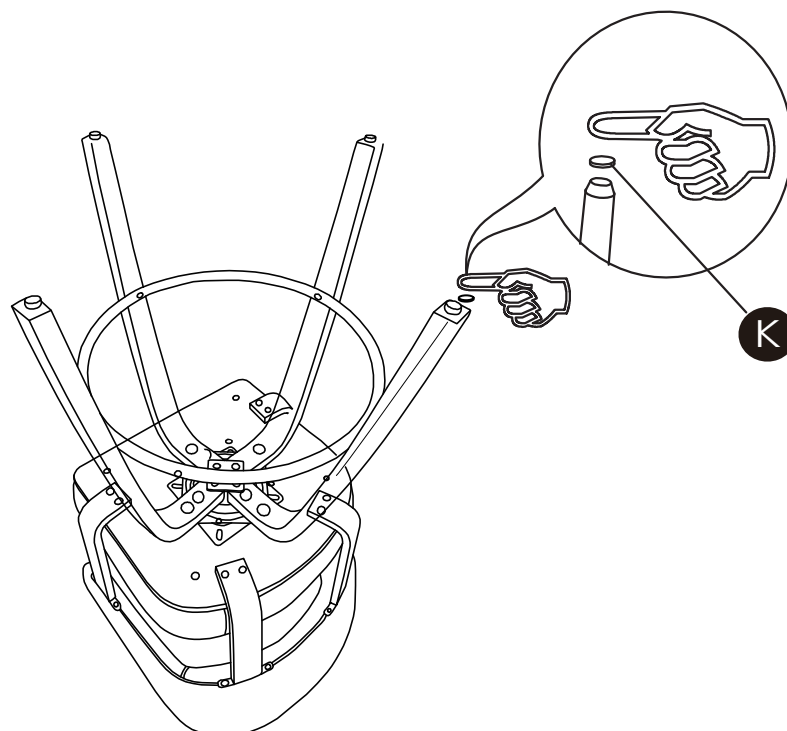
- 5** Attach the base in Step 4 to the Seat (A), using Flat Washers (I), Bolts (G), and Allen Wrench (J).

Attach the base in Step 4 to the Seat (A), using Short Bolts (H) and Allen Wrench (J). **Fully tighten.**

Note: Put the Flat Washers (I) at the front holes.



- 6** Complimentary Felt Pads (K) are included to help protect your floor or make the stool slide easier.



7 Assembly complete. Enjoy.

Note: Each leg has an adjustable foot leveler to help level your chair.



PRODUCT WARRANTY

- 1-year limited on cover against splitting, peeling, and/or tearing.
- 1-year limited on internal and external frame structure.
- 1-year limited on cushioning material, seat springs and mechanism.

CARE & MAINTENANCE

Water Based Cleaner 'W': Spot clean using the foam only from a water-based cleaning agent such as a mild detergent or non-solvent upholstery shampoo product. Apply foam with a soft in circular motion.

Vaccum when dry.

Do not place furniture in direct sunlight and keep furniture at least 60 cm / 2 feet from heat sources to avoid fading.

Follow Us



@chitalivingofficial



@chitaliving



@chitaliving



@chitaliving

If at any step you need a helping hand, we're always here for you. You can email us, or hop into a live chat on our website - whatever method is convenient for you.



support@chitaliving.com