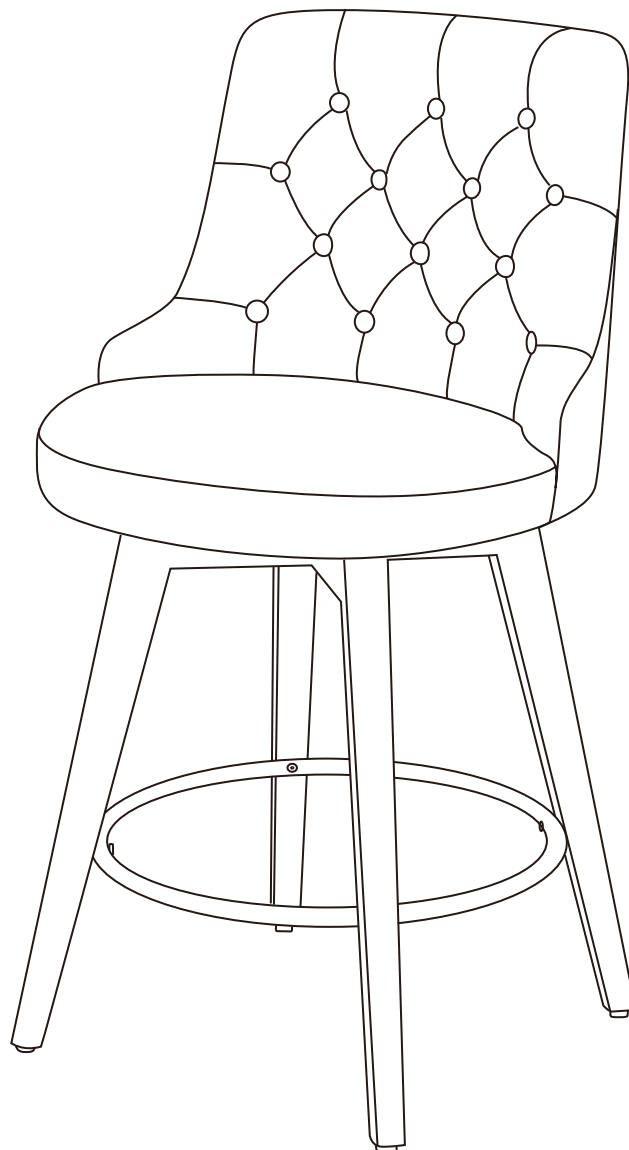


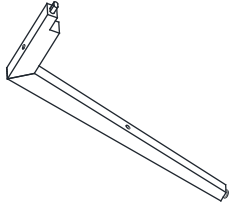
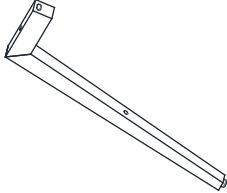
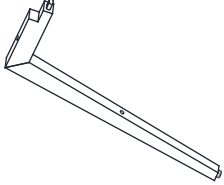
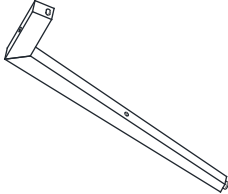
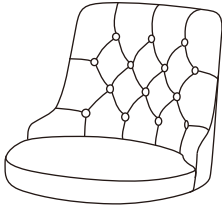
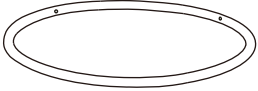
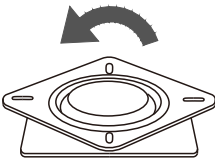




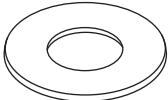

Counter & Bar Height Swivel Stool

Assembly Manual

BS71270B



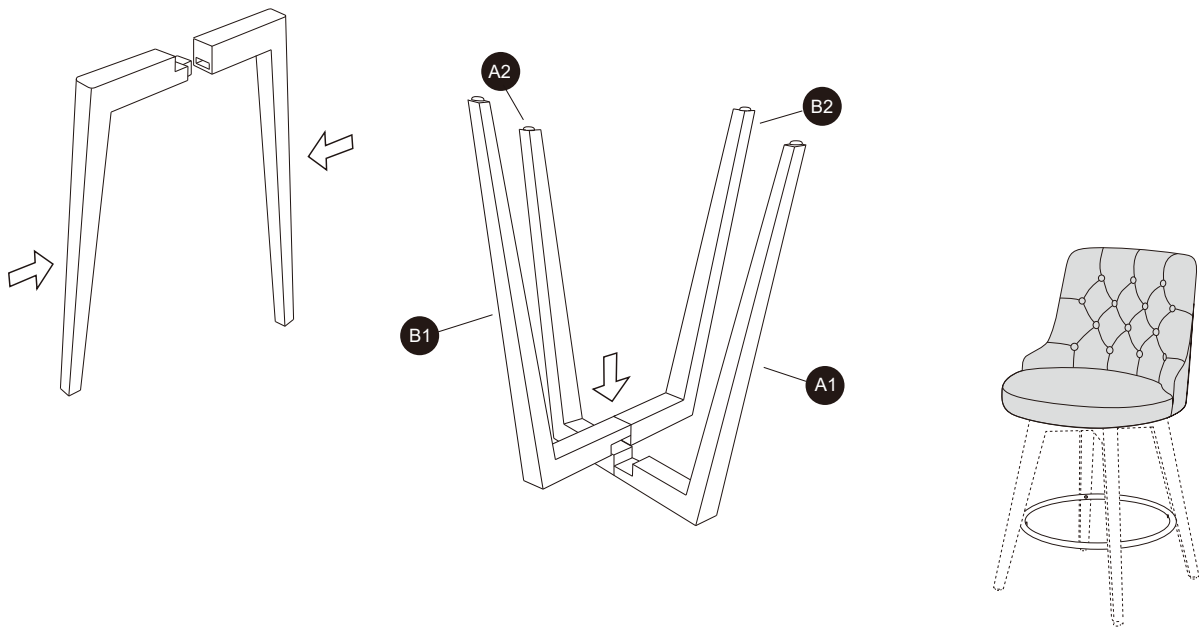
⚠ CAUTION THIS ASSEMBLY MANUAL CONTAINS IMPORTANT SAFETY INFORMATION.
PLEASE READ AND KEEP FOR FUTURE REFERENCE.

| | | |
|----------------------------------------------------------------------------------------------------------------|----------------------------------------------------------------------------------------------------------------|------------------------------------------------------------------------------------------------------------------|
| <p>A1×1</p>  | <p>A2×1</p>  | <p>B1×1</p>  |
| <p>B2×1</p>  | <p>C×1</p>  | <p>D×1</p>  |
| <p>E×1</p>  | <p>H1×4</p>  <p>M6x50mm</p> | <p>H2×4</p>  <p>M6x30mm</p> |
| <p>H3×4</p>  <p>M6x20mm</p> | <p>H4×4</p>  | <p>H5×4</p>  |
| <p>T1×1</p>  | | |

Please read through the instructions below to familiarize yourself with the parts and steps before assembly.

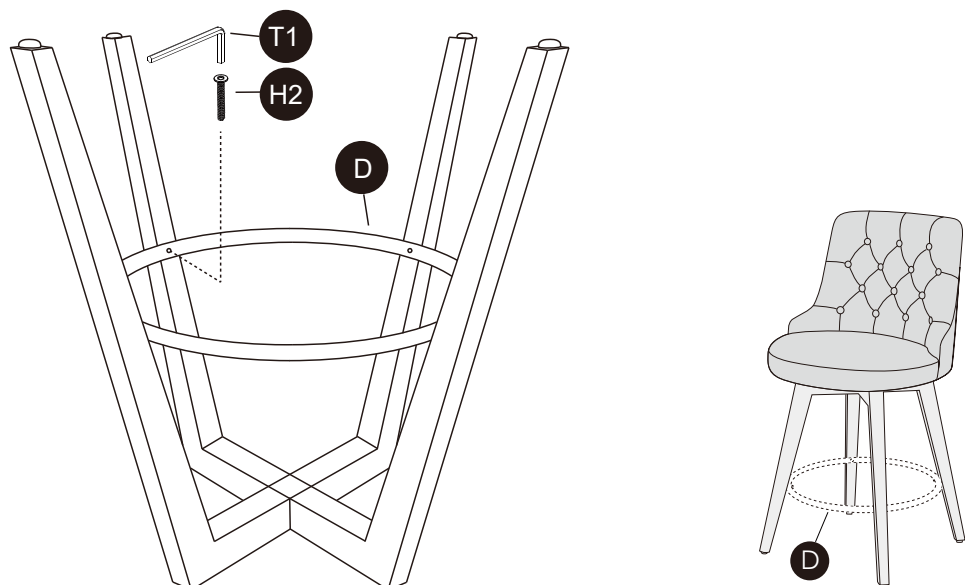
ASSEMBLY INSTRUCTIONS

- 1 Connect Leg (A1) and Leg (A2), Leg (B1) and Leg (B2) together to get the stool base.



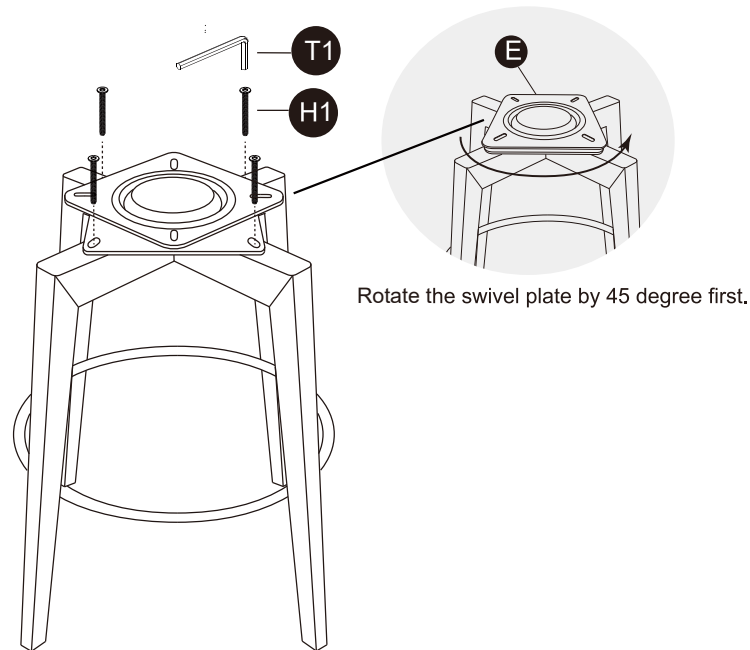
- 2 Flip over the stool base. **Loosely** attach the Bolts (H2) one by one and **keep them loose. Do not fully tighten.** After **loosely** attach the first bolt, move on to the diagonal bolt. After all 4 bolts are attached, use Allen Wrench (T1) to tighten.

Note: Do NOT use power tools for assembly.

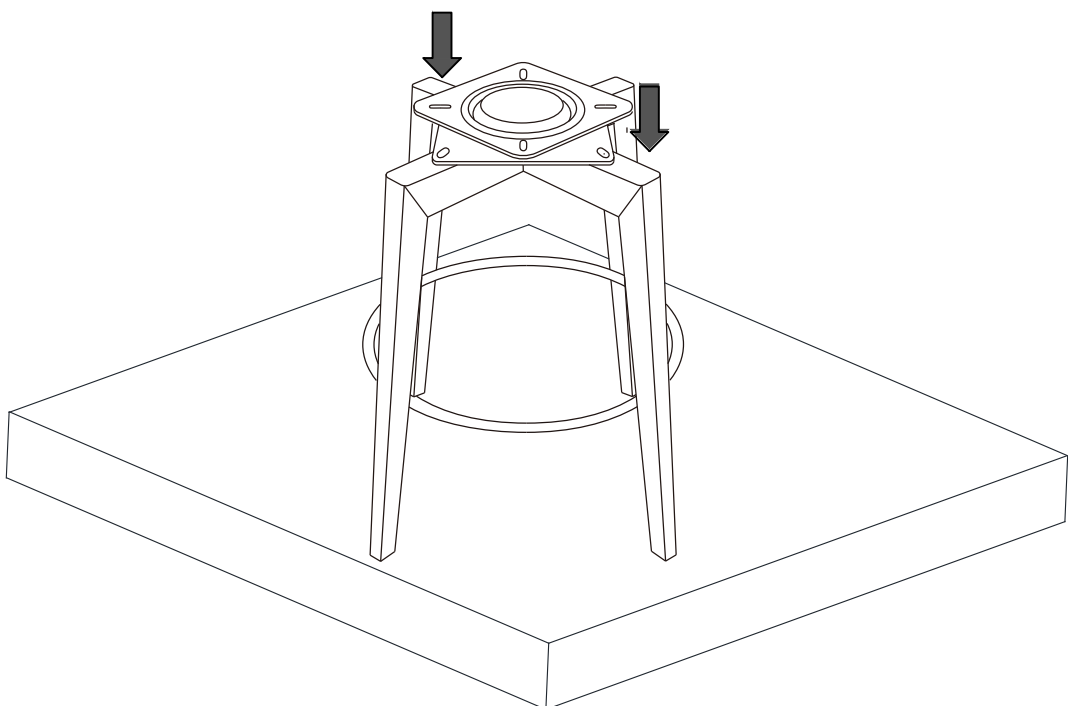


- 3** Attach Swivel Plate (E) to assembled stool base in Step 2, using Longest Bolts (H1) and Allen Wrench (T1).

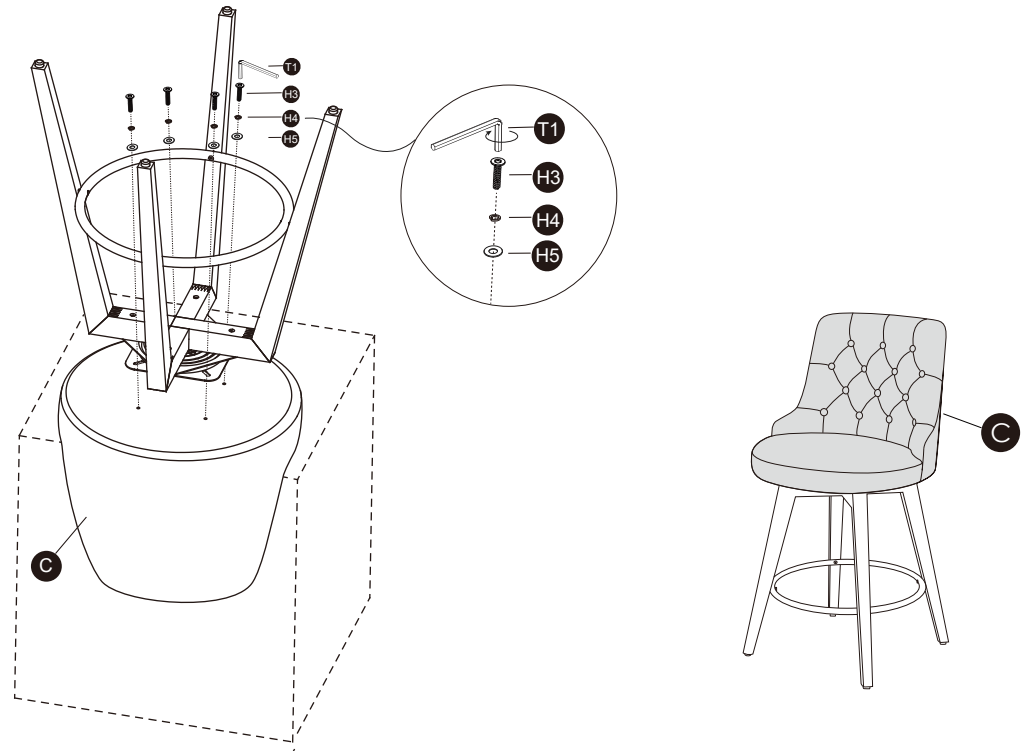
Note: Do not fully tighten yet.



- 4** Put assembled stool base in Step 3 on a flat surface. Push legs up or down as necessary to level. Once level, **fully tighten all bolts.**



- 5** Attach the assembled stool base in Step 4 to the Seat Bucket (C), using Shortest Bolts (H3), Lock Washers (H4), Flat Washers (H5) and Allen Wrench (T1). **Fully tighten all bolts.**



- 6** Assembly complete. Enjoy.
Note: Each leg has an adjustable foot leveler to help level your chair.

