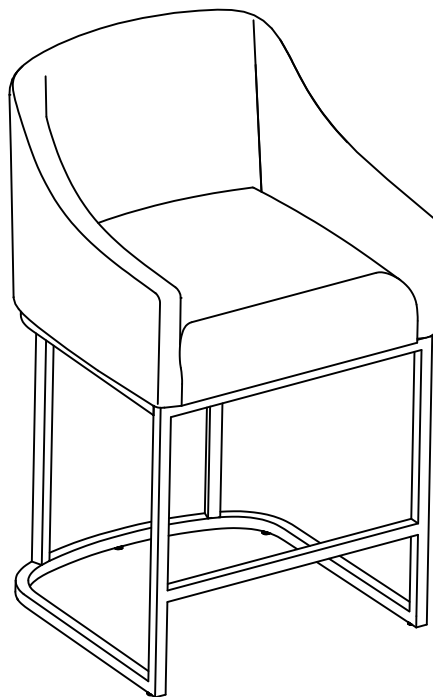


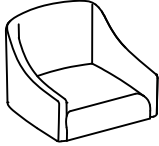
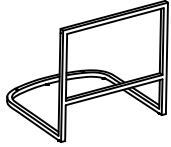



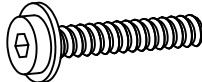
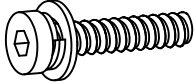
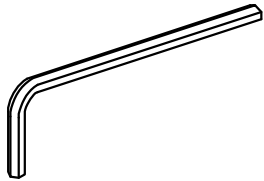

BS7009 Assembly Manual

Counter Height Stool



CAUTION

THIS ASSEMBLY MANUAL CONTAINS IMPORTANT SAFETY INFORMATION.
PLEASE READ AND KEEP FOR FUTURE REFERENCE.

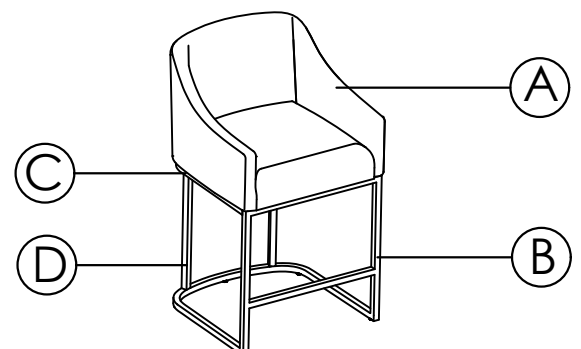
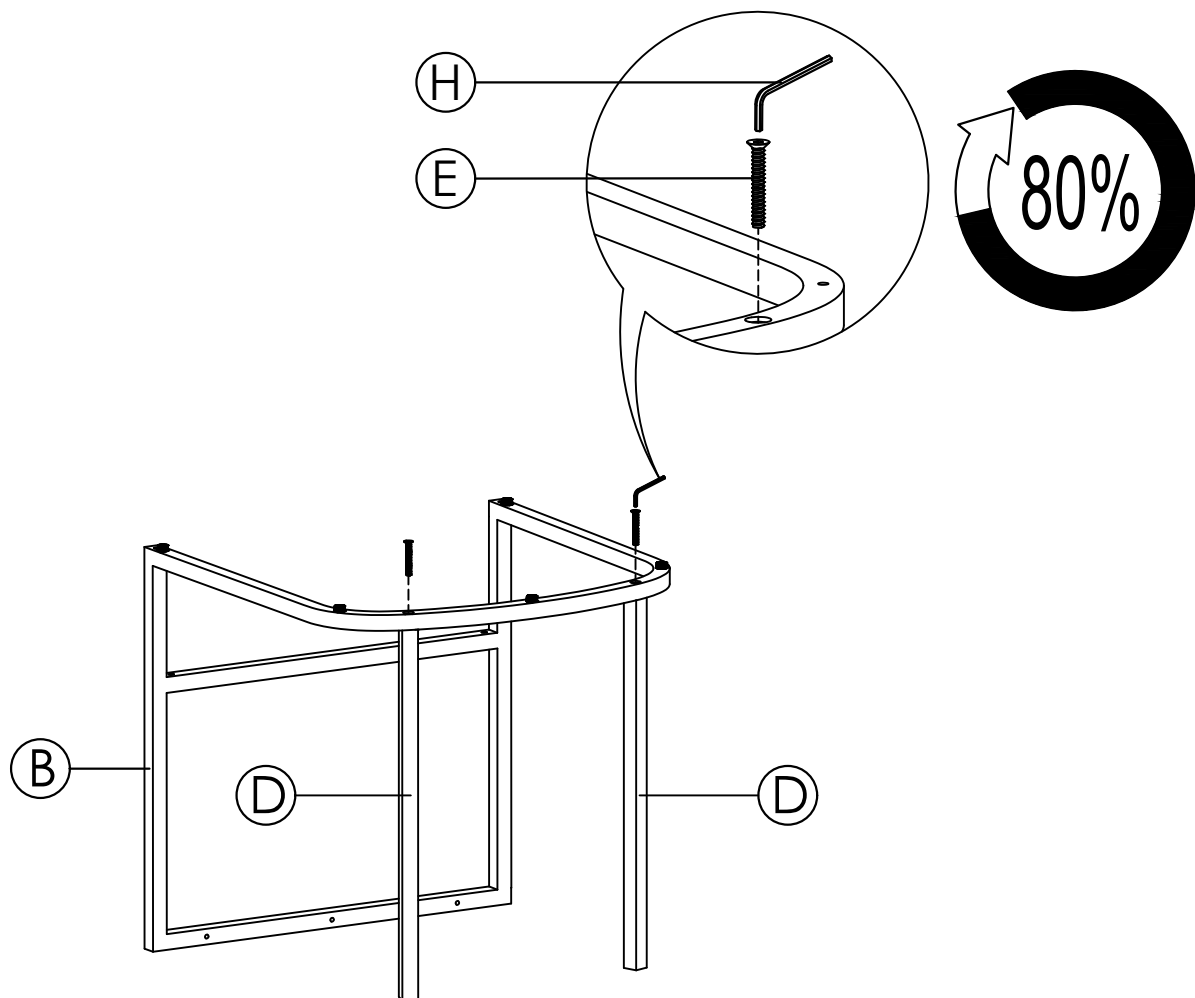
<p>Ax1</p>  <p>Seat & Back</p>	<p>Bx1</p>  <p>Front Leg Frame</p>	<p>Cx1</p>  <p>Top Frame</p>	<p>Dx2</p>  <p>Back Leg</p>
<p>Ex4</p>  <p>M6 x 40mm Long Bolt</p>	<p>Fx3</p>  <p>M6 x 35mm Bolt</p>	<p>Gx4</p>  <p>M6 x 30mm Short Bolt</p>	<p>Hx1</p>  <p>4# Allen Wrench</p>
<p>Ix5</p>  <p>Ø10mm Felt Pad</p>			

Please read through the instructions below to familiarize yourself with the parts and steps before assembly.

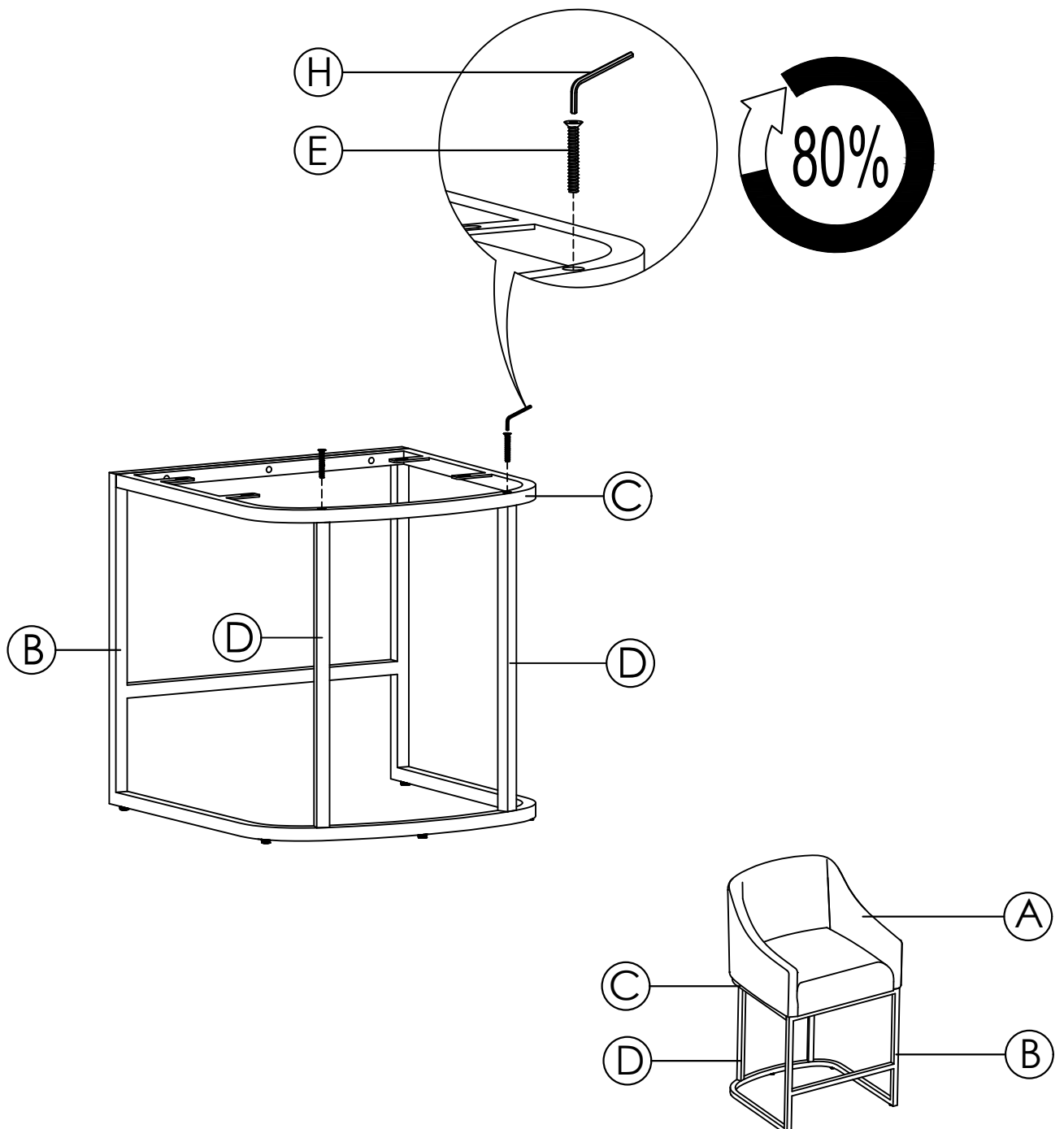
Note: Do NOT use power tools for assembly.

ASSEMBLY INSTRUCTIONS

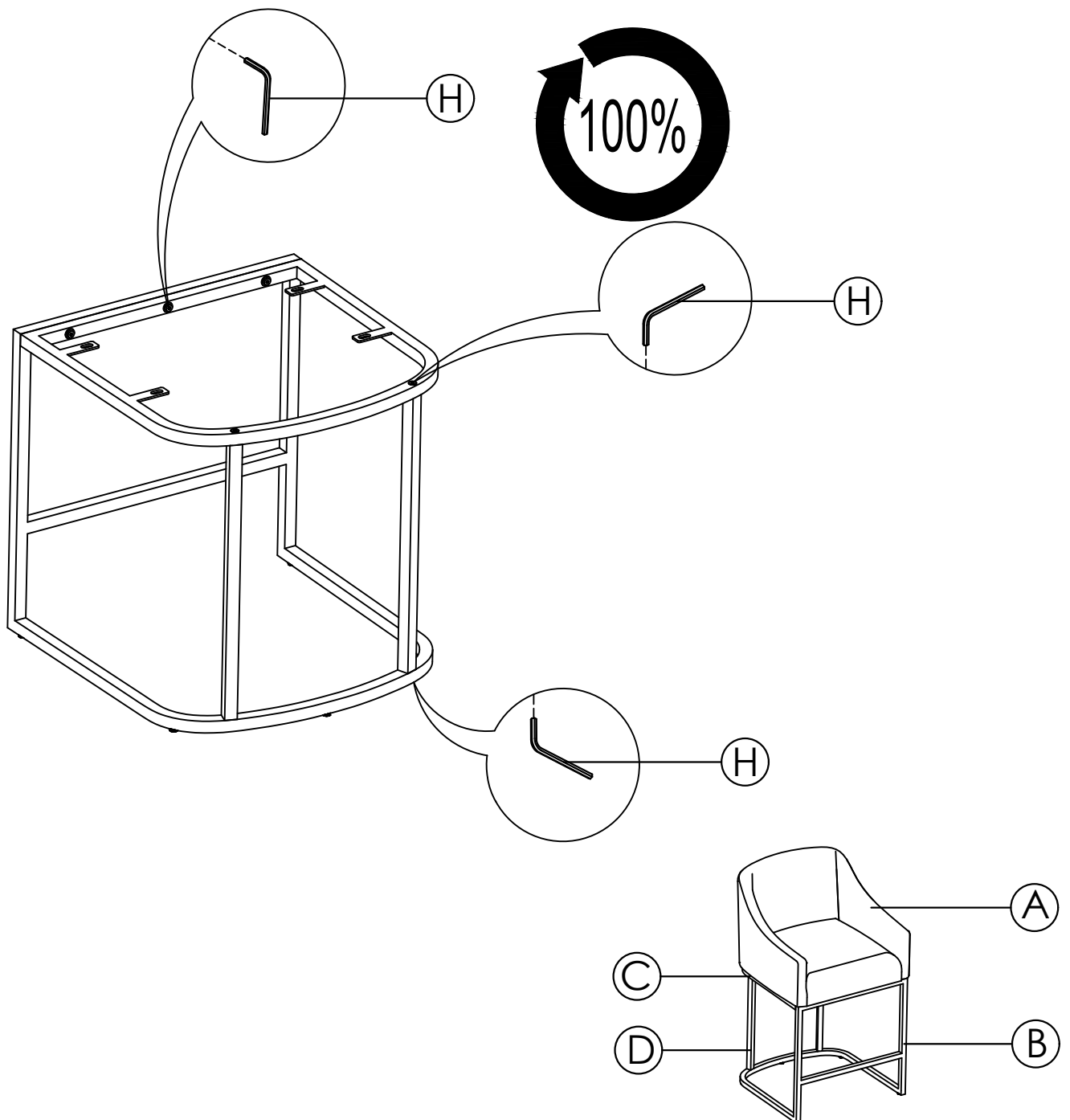
- 1 Attach the Back Legs (D) to the Front Leg Frame (B), using Long Bolts (E) and Allen Wrench (H). **Do not fully tighten yet.**



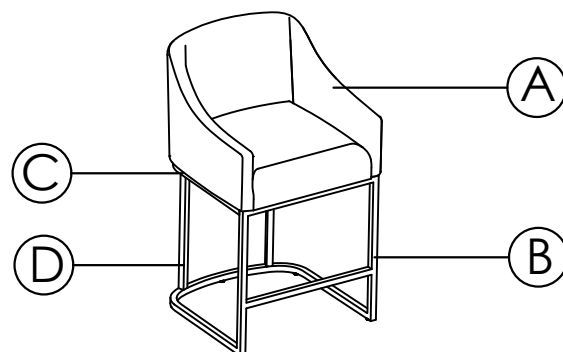
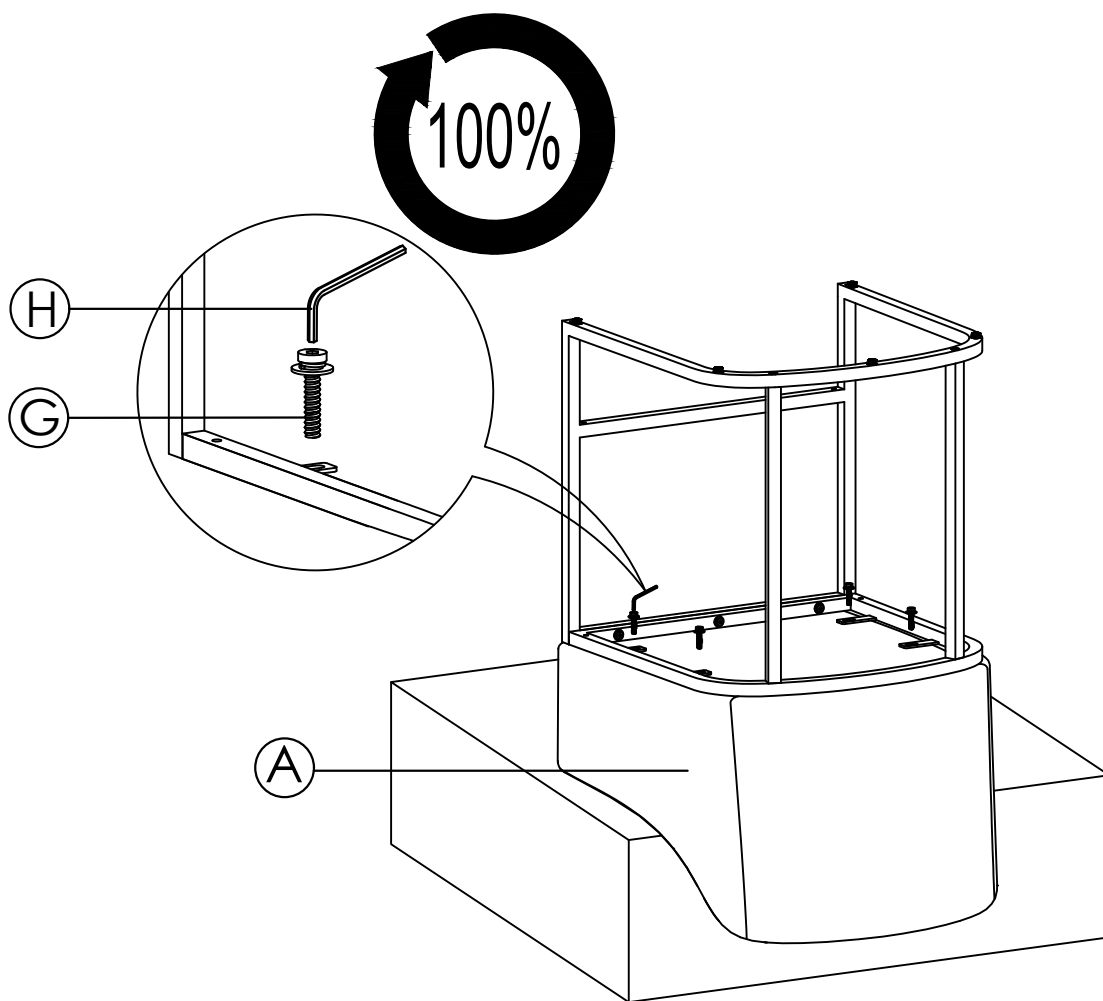
- 2** Attach the Top Frame (C) to the Back Legs (D), using Long Bolts (E) and Allen Wrench (H). **Do not fully tighten yet.**



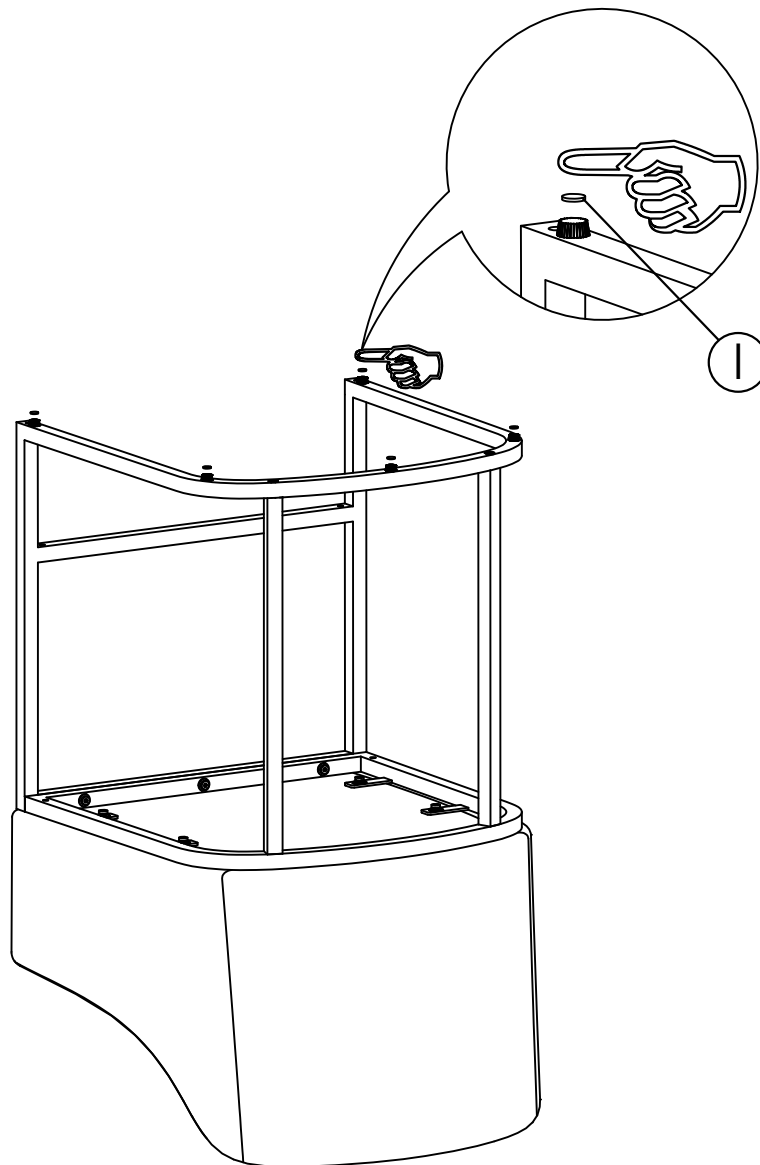
- 4** Use Allen Wrench (H) to fully tighten all bolts in Step 1, 2, and 3 (seven bolts in total).



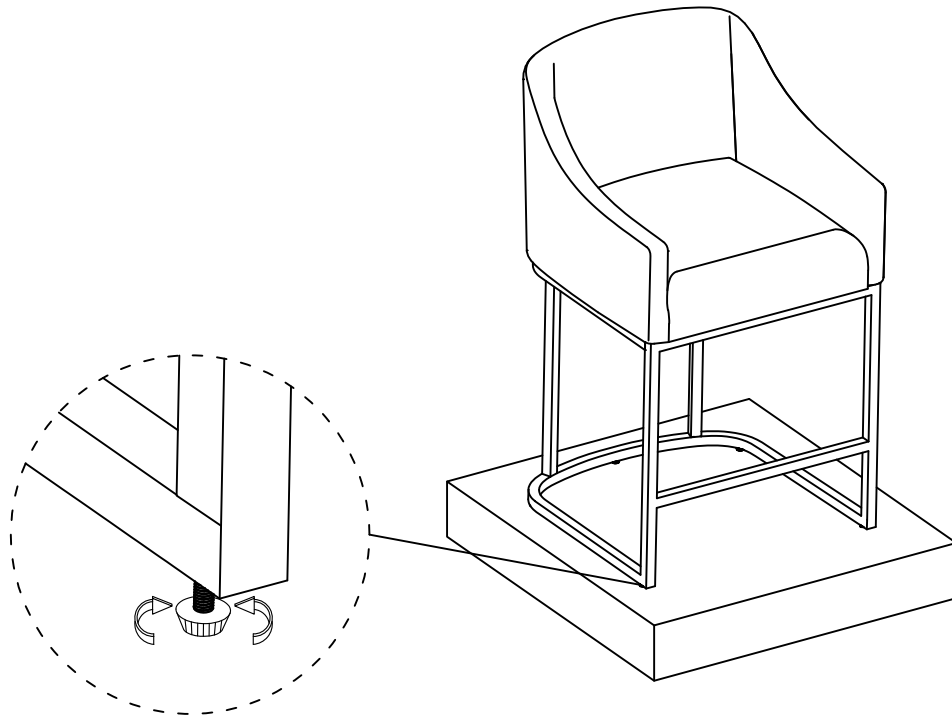
- 5 Attach the Seat & Back (A) to the assembled stool base from Step 4, using Short Bolts (G) and Allen Wrench (H). **Fully tighten.**



- 6** Complimentary Felt Pads (I) are included to help protect your floor or make the stool slide easier.



- 7** Turn assembled stool upright and place on a flat surface.
Note: Each leg has an adjustable foot leveler to help level your stool.



- 8** Assembly complete. Enjoy.

