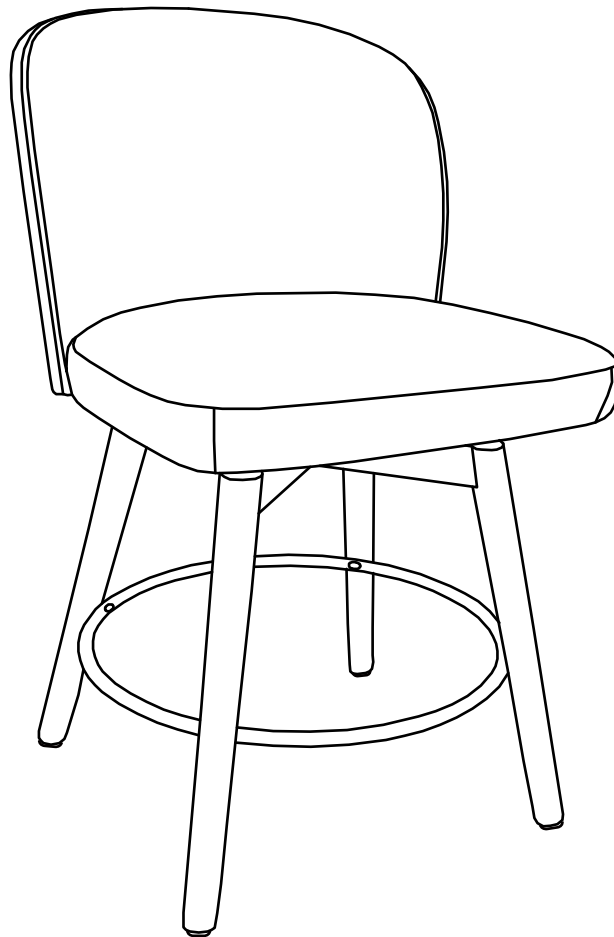


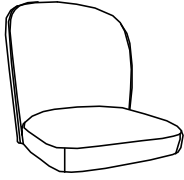
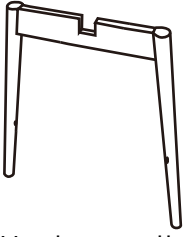
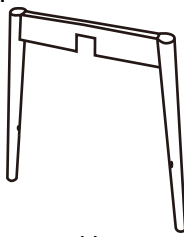




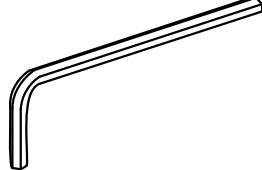
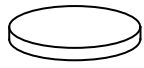
BS72024 Assembly Manual

Counter Height Swivel Stool



 **CAUTION**

THIS ASSEMBLY MANUAL CONTAINS IMPORTANT SAFETY INFORMATION.
PLEASE READ AND KEEP FOR FUTURE REFERENCE.

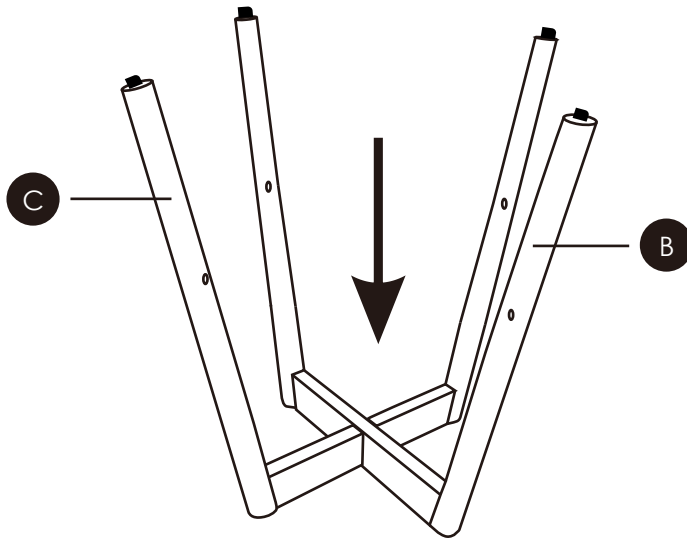
<p>Ax1</p>  <p>Seat</p>	<p>Bx1</p>  <p>Underneath Leg</p>	<p>Cx1</p>  <p>Upper Leg</p>	<p>Dx1</p>  <p>Footrest</p>
<p>Ex1</p>  <p>Swivel Plate</p>	<p>Fx4</p>  <p>M6 x 30mm Long Bolt</p>	<p>Gx8</p>  <p>M6 x 18mm Short Bolt</p>	<p>Kx1</p>  <p>6# Allen Wrench</p>
<p>Hx4</p>  <p>15mm Felt Pad</p>			

Please read through the instructions below to familiarize yourself with the parts and steps before assembly.

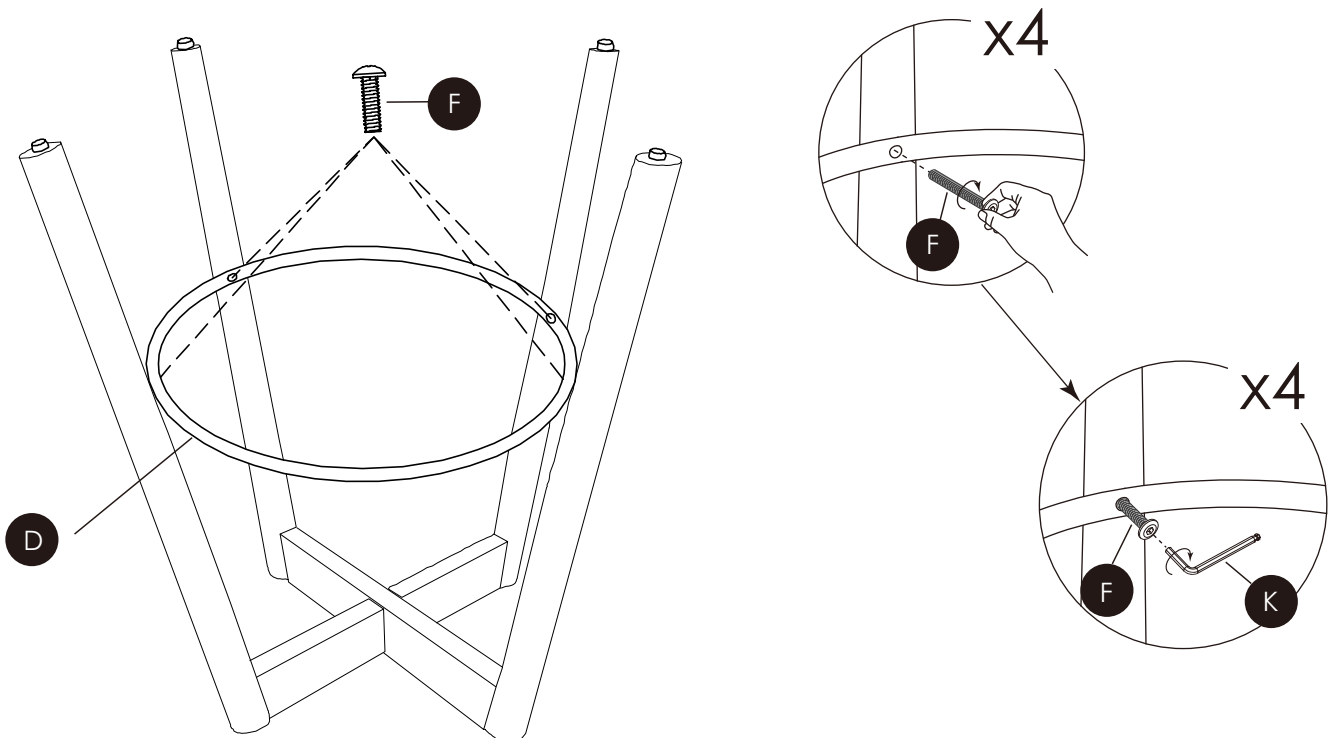
Note: Do NOT use power tools for assembly.

ASSEMBLY INSTRUCTIONS

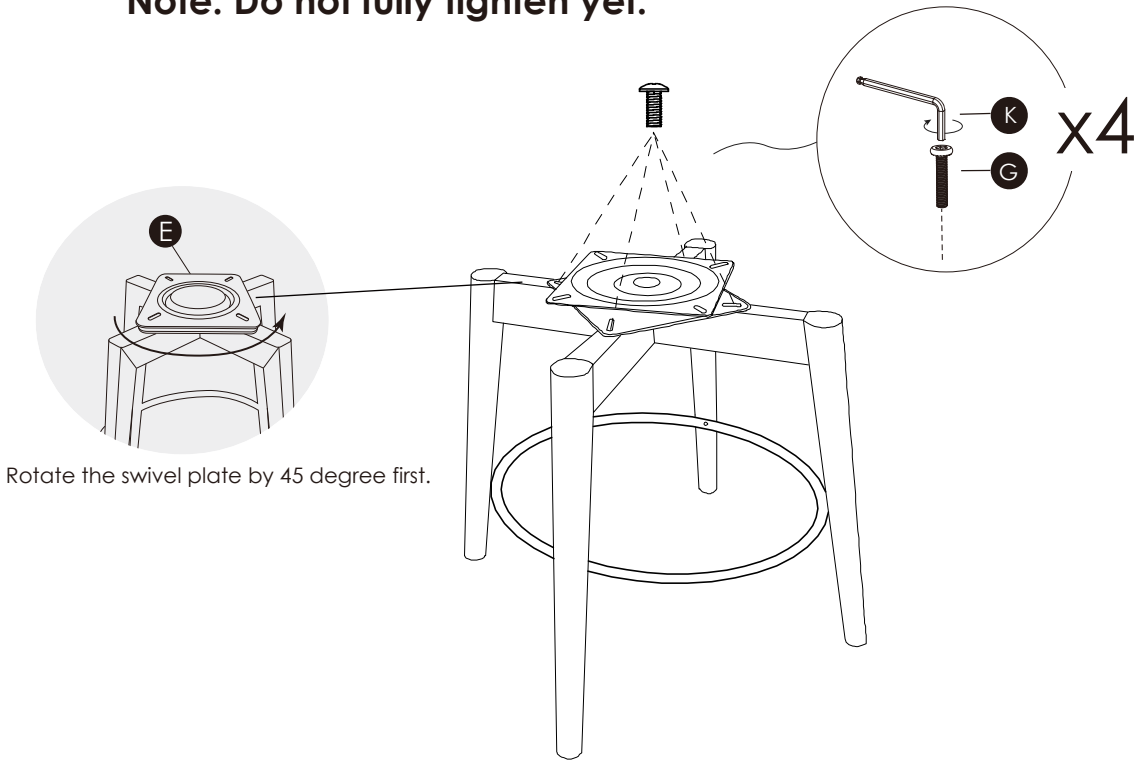
- 1 Connect the Underneath Leg (B) and Upper Leg (C) together on the floor as shown.



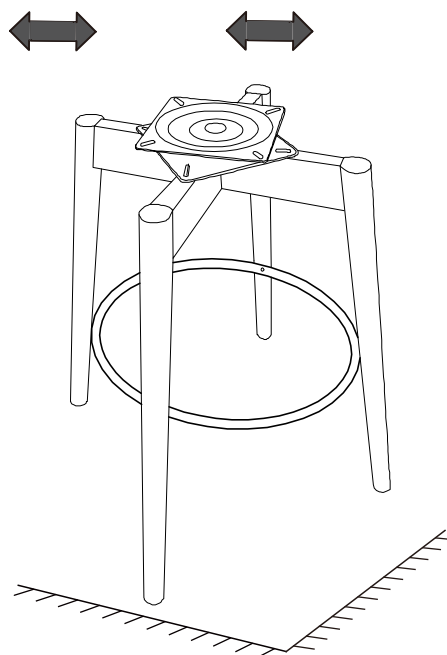
- 2 Attach the Footrest (D) to the assembled stool base in Step 1. **Loosely** attach the first Long Bolt (F) and move onto attach the diagonal Long Bolt (F), one by one. **After all bolts are attached, use Allen Wrench (K) to fully tighten.**



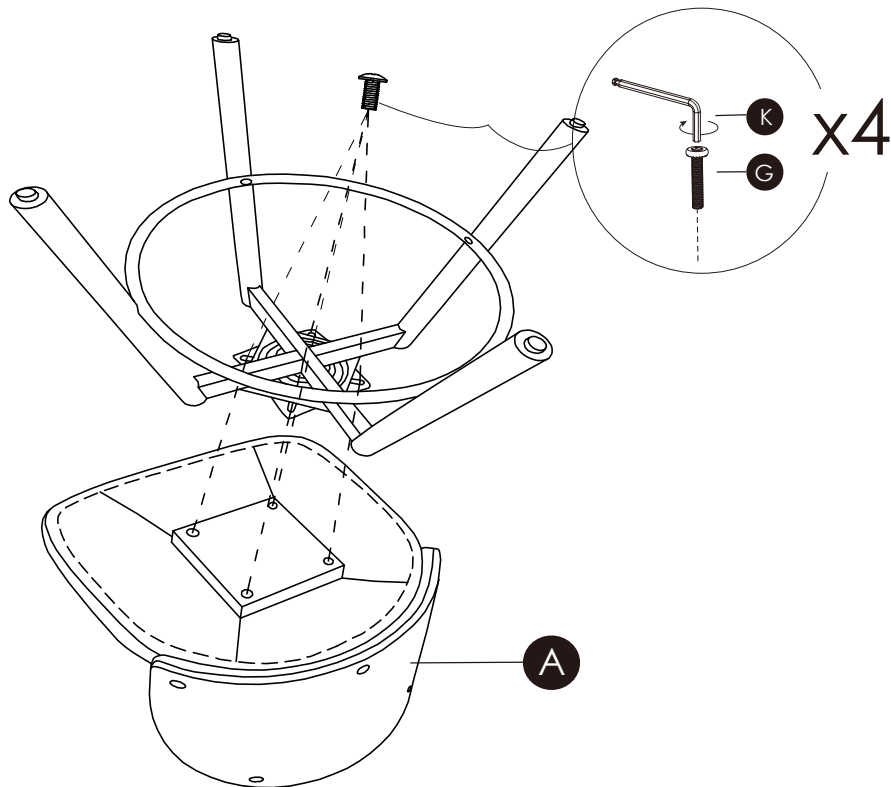
- 3** Flip over the stool base. Attach the Swivel Plate (E) to the assembled stool base in Step 2, using Short Bolts (G) and Allen Wrench (K).
Note: Do not fully tighten yet.



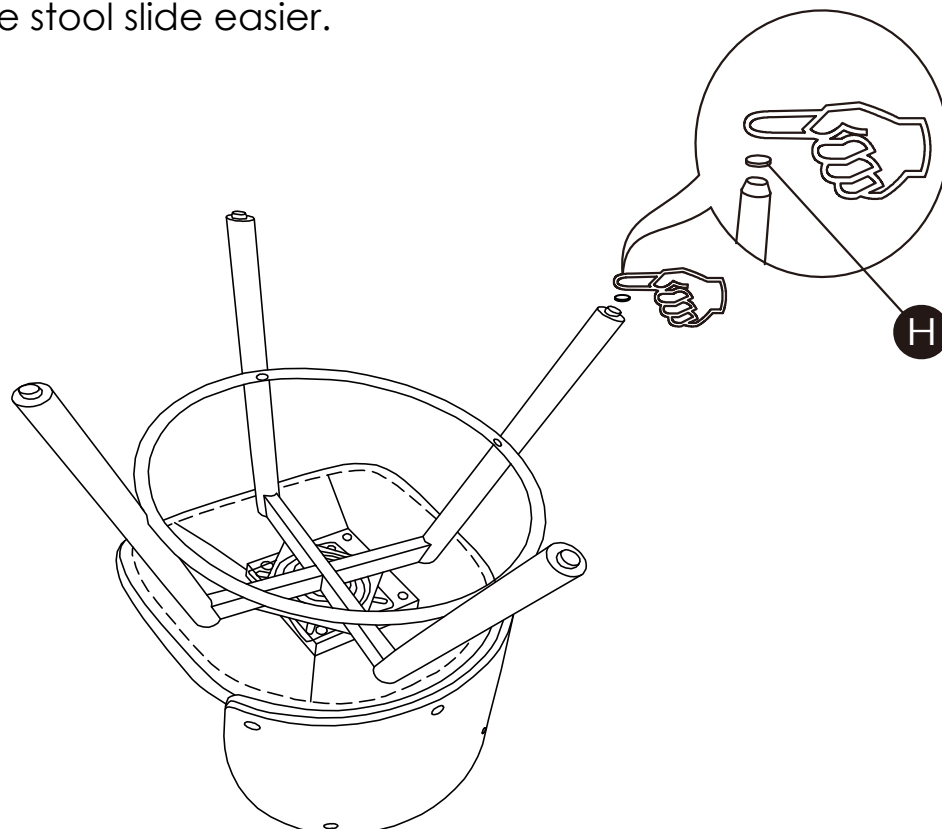
- 4** Put the assembled stool base in Step 3 on a flat surface. Push legs right or left as necessary to level. Once level, **fully tighten all bolts.**



- 5 Attach the assembled stool base in Step 4 to the Seat (A), using Short Bolts (G) and Allen Wrench (K). **Fully Tighten all bolts.**



- 6 Complimentary Felt Pads (H) are included to help protect your floor or make the stool slide easier.



7 Turn assembled stool upright and place on a flat surface.

Note: Each leg has an adjustable foot leveler to help level your stool.
Assembly complete. Enjoy.

