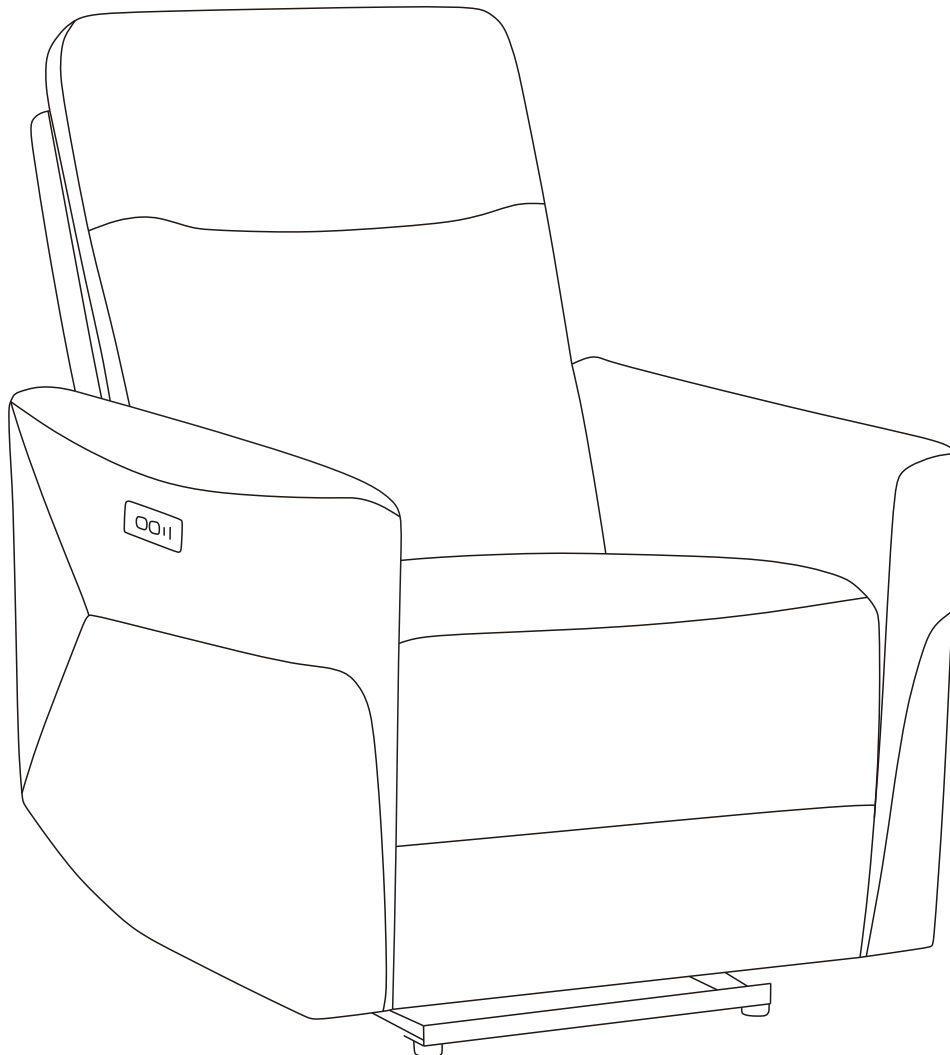


Power Recliner Armchair

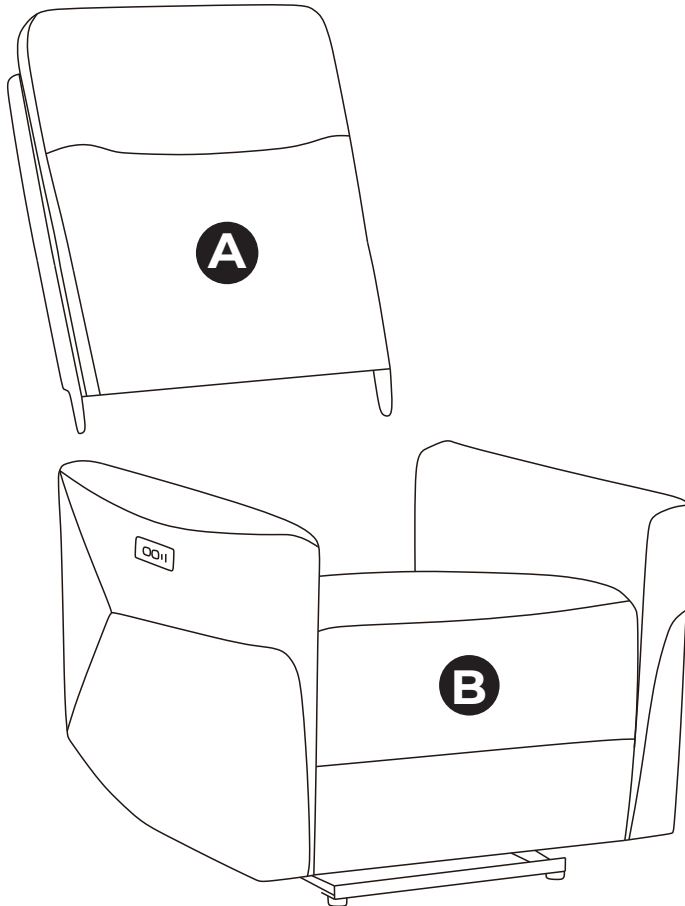
Assembly Manual

ME7A007



⚠ CAUTION THIS ASSEMBLY MANUAL CONTAINS IMPORTANT SAFETY INFORMATION.
PLEASE READ AND KEEP FOR FUTURE REFERENCE.

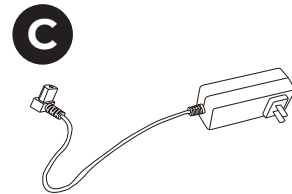
COMPONENTS



A **Chair Back**
1X

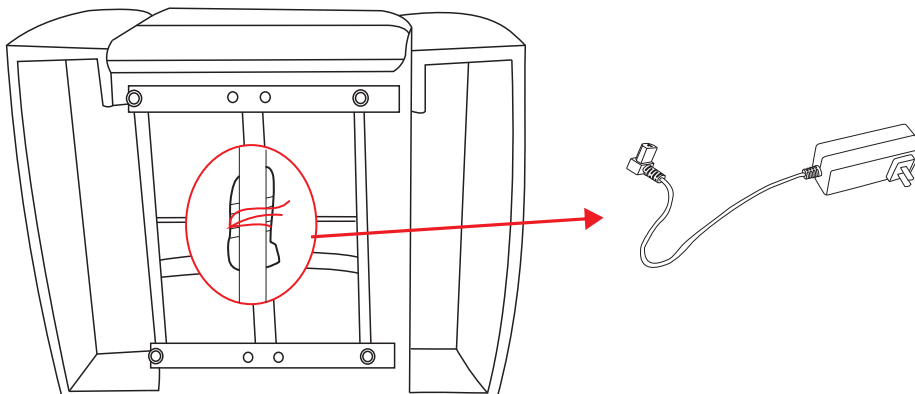
B **Chair Base**
1X

C **Power Cord**
1X



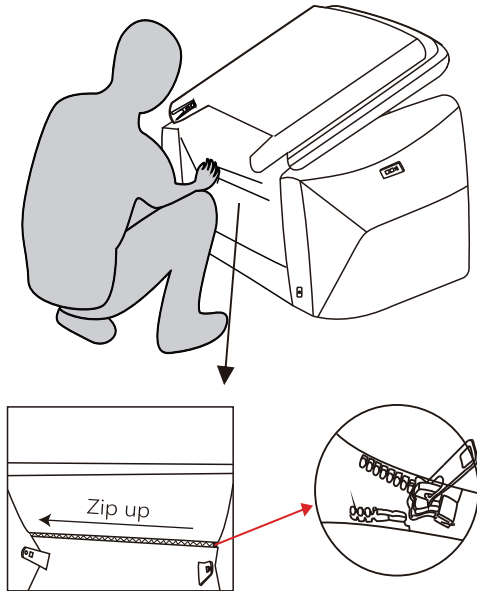
Before you begin

Locate the Power Cord (C) at the bottom of the chair.



ASSEMBLY INSTRUCTIONS

1



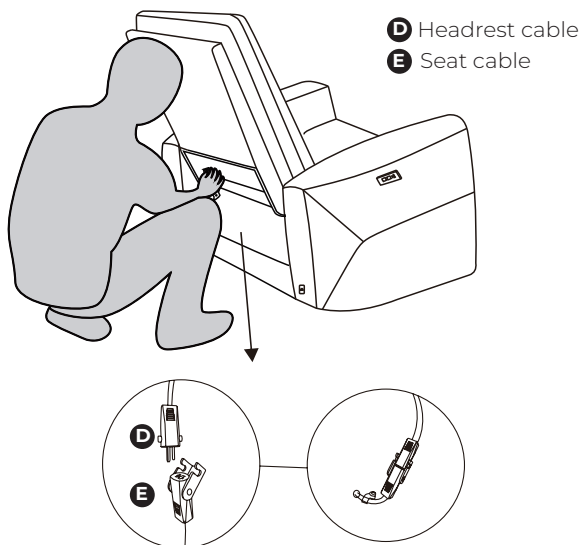
Zip up the bottom of the back and the seat together.

2



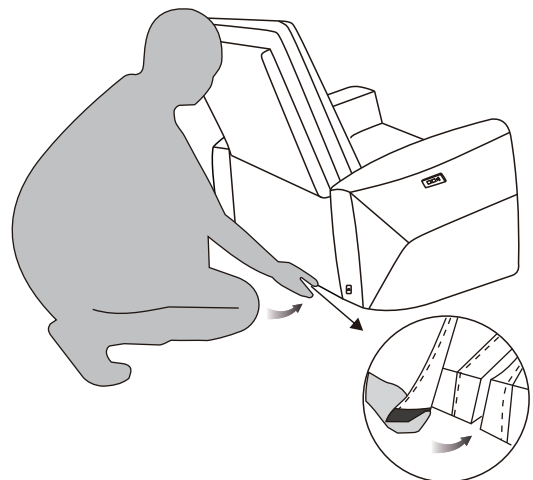
Slide the Backrest into the metallic quick connectors of the Seat. Push down the Backrest firmly until each side is locked into place and an audible “click” is heard.

3



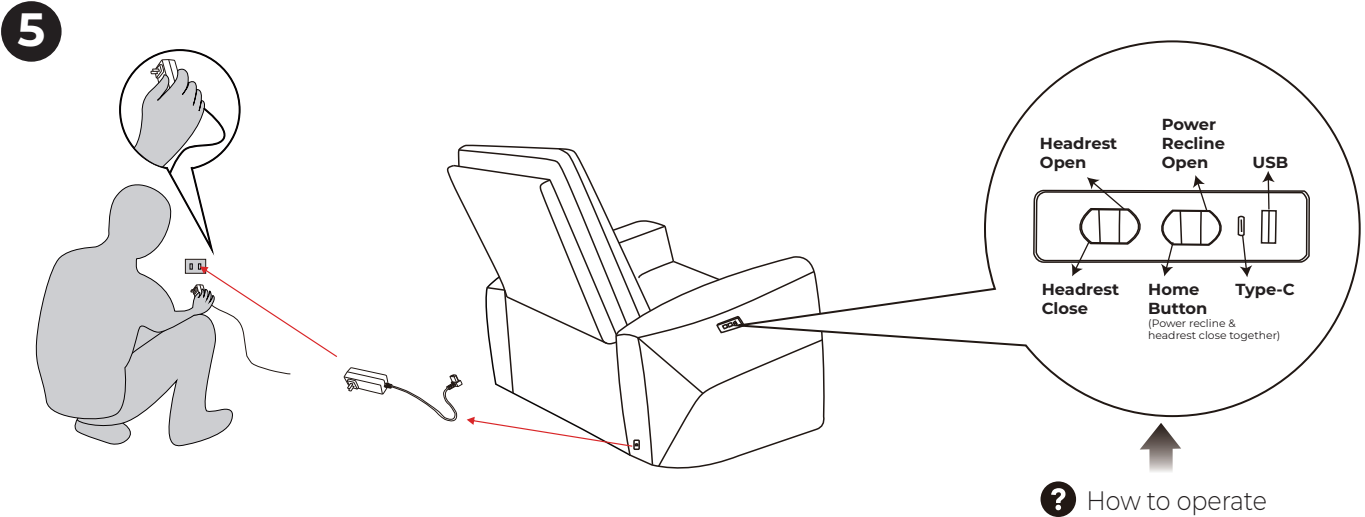
Connect the cable D into cable E.

4



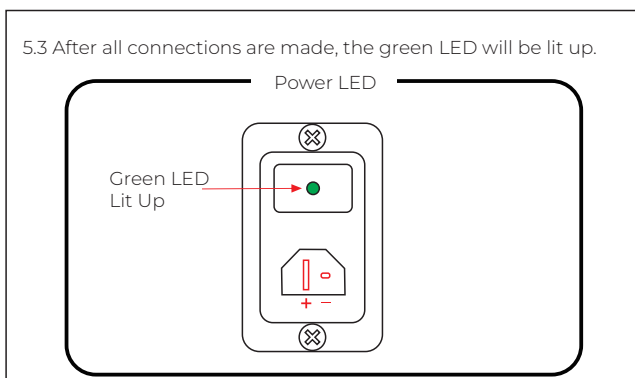
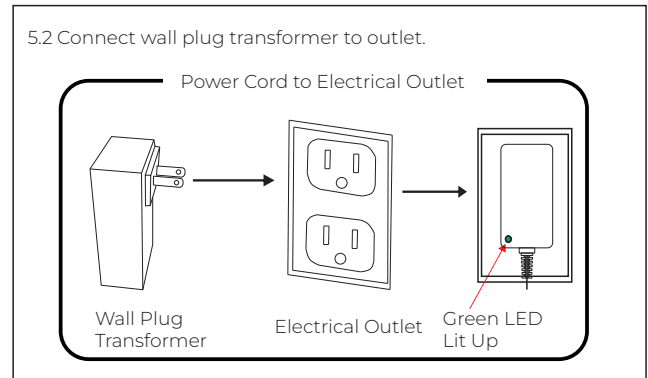
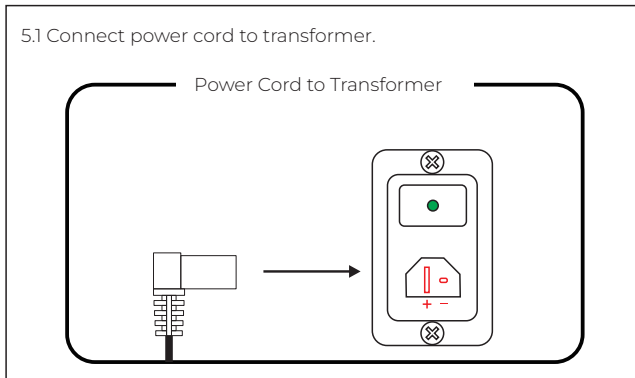
Attach the back cover to the bottom of the seat with Velcro.

ASSEMBLY INSTRUCTIONS



Connect one end of the power cord into the DC adaptor located at the back corner of the seat. Plug the other end of power cord into the power outlet. Note: After all the connections are made, the green LED will be lit up.

POWER CONNECTIONS



PRODUCT WARRANTY

- 1-year limited on cover against splitting, peeling, and/or tearing.
- 1-year limited on internal and external frame structure.
- 1-year limited on cushioning material, seat springs and mechanism.

HOW TO CLEAN

- Test for colorfastness and/or finish stability in an inconspicuous area.
- Vacuum with a soft brush attachment to remove loose soils.
- Used distilled water or a water-based leather cleaning product with a lightly dampened, soft white cotton cloth. Gently wipe the area seam to seam in a circular motion to remove soils.

CARE & MAINTENANCE

Allow at least two feet of space between your furniture and a radiator or a similar heat source to prevent excessive drying. Protect your leather furniture from all forms of sunlight to prevent fading.

NOTE

Leather is a natural product. Both texture and color will vary slightly from hide to hide. Stretch marks, scars and insect bites will be visible and prove the high quality and naturalism of the leather.

Follow Us

 @chitalivingofficial

 @chitaliving

 @chitaliving

 @chitaliving

If at any step you need a helping hand, we're always here for you. You can email us, or hop into a live chat on our website - whatever method is convenient for you.

 support@chitaliving.com