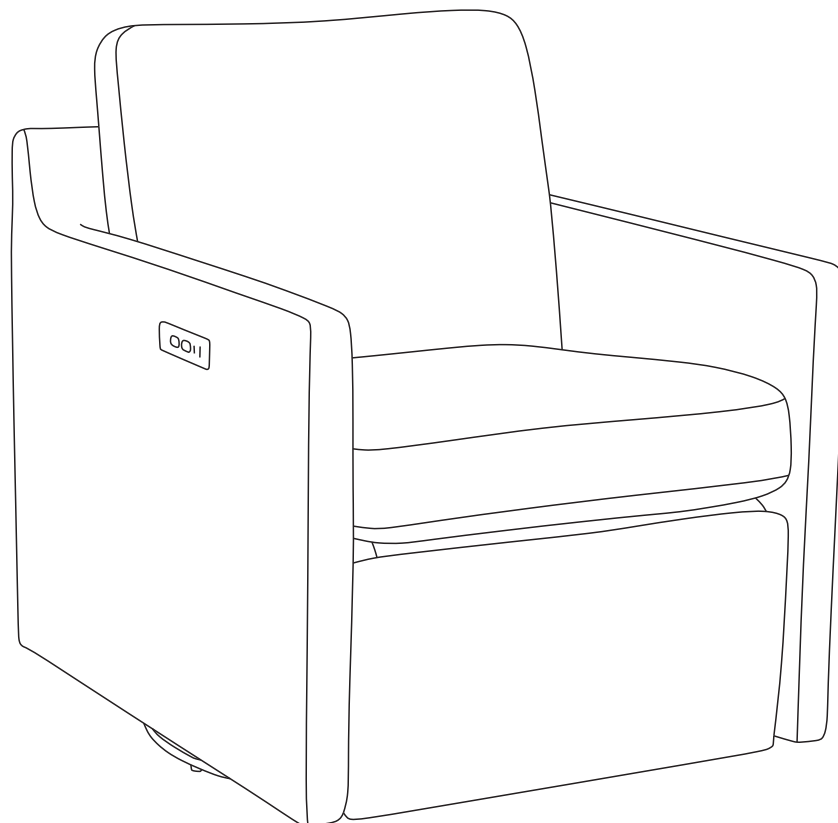
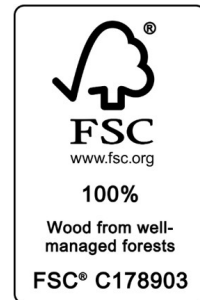
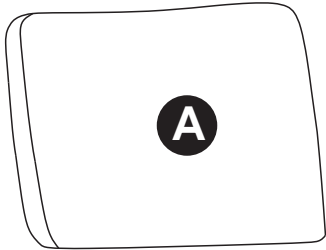


Power Recliner Armchair **Assembly Manual** **ME7A6058B**

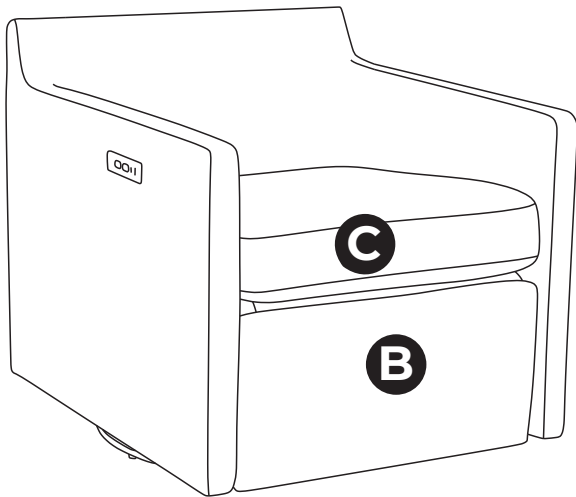


⚠ CAUTION THIS ASSEMBLY MANUAL CONTAINS IMPORTANT SAFETY INFORMATION.
PLEASE READ AND KEEP FOR FUTURE REFERENCE.

COMPONENTS



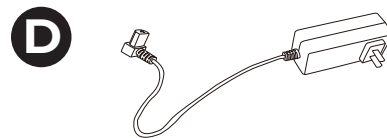
A Chair Back
1X



B Chair Base
1X

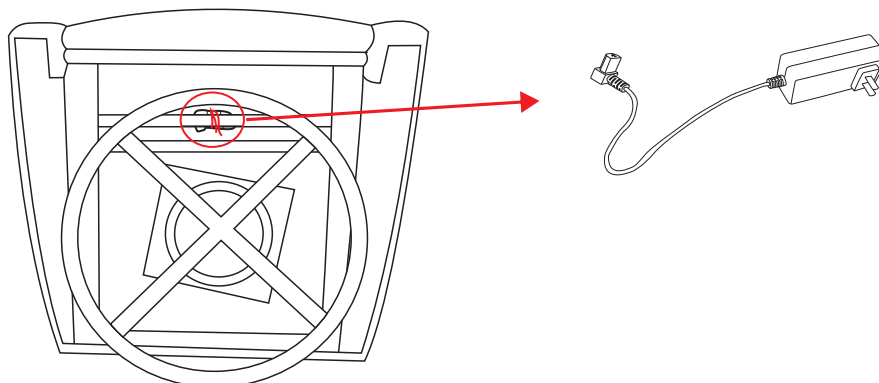
C Chair Seat Cushion
1X

D Lumbar Pillow
1X

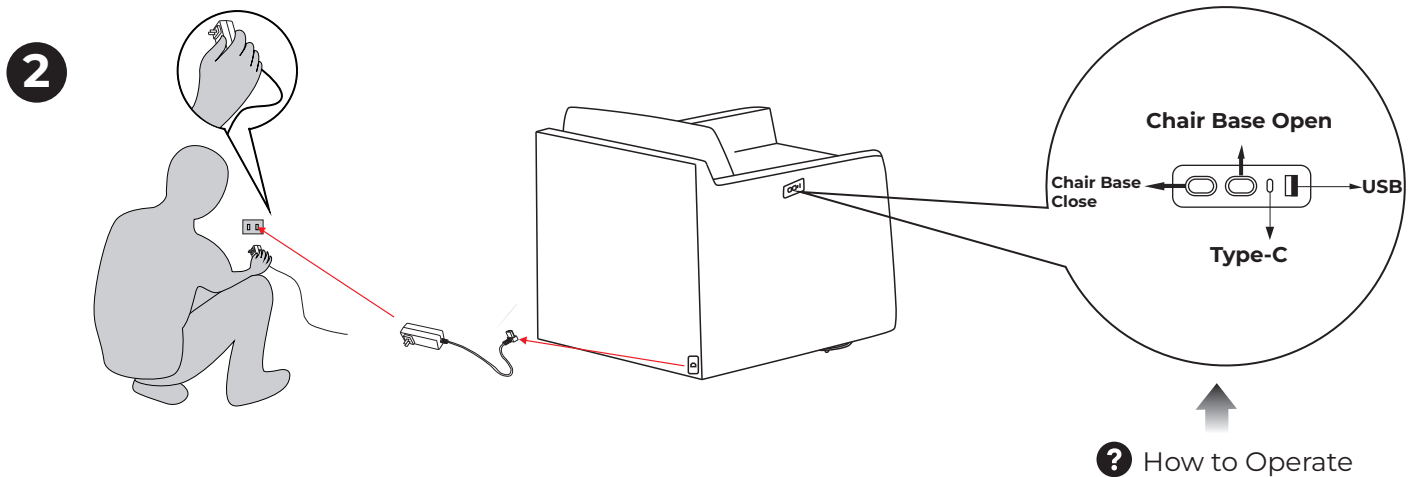
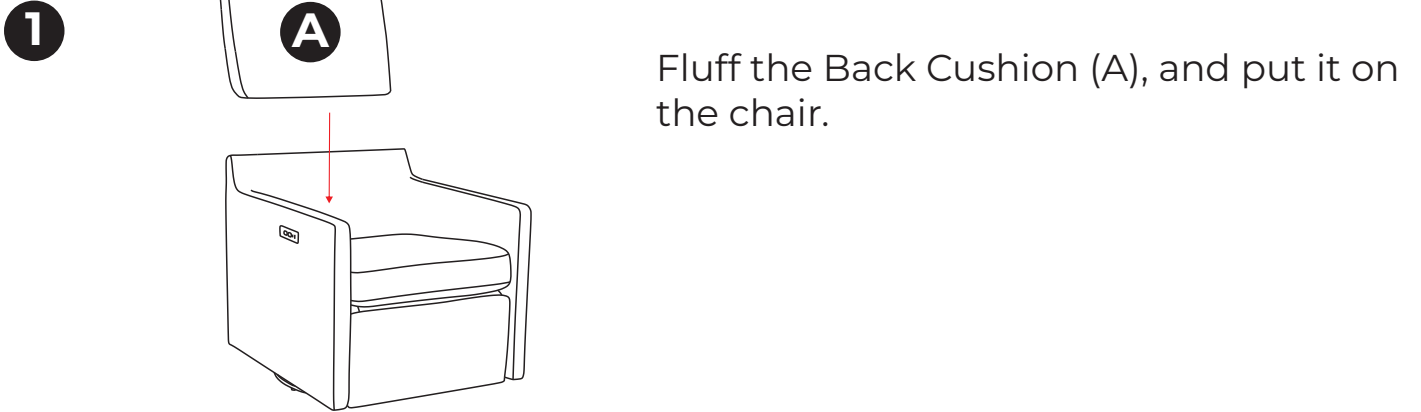


Before you begin

Locate the Power Cord (D) at the bottom of the chair.



ASSEMBLY INSTRUCTIONS

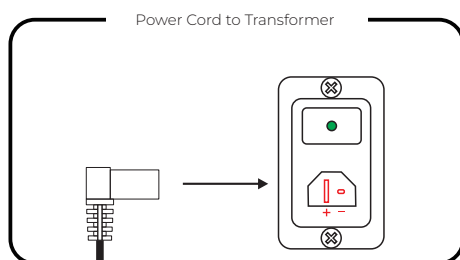


Connect one end of the Power Cord (D) into the DC adaptor located at the back corner of the seat. Plug the other end of Power Cord (D) into the power outlet.

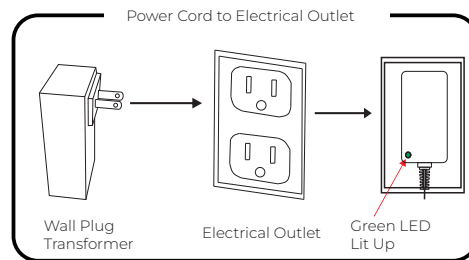
Note: After all the connections are made, the green LED will be lit up.

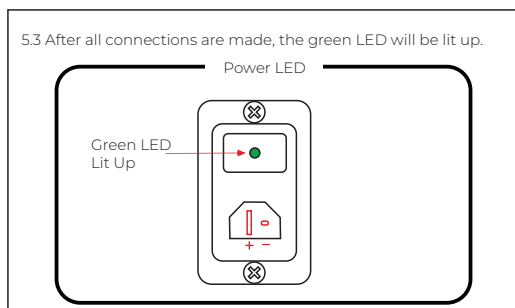
POWER CONNECTIONS

5.1 Connect power cord to transformer.



5.2 Connect wall plug transformer to outlet.





PRODUCT WARRANTY

- 1-year limited on cover against splitting, peeling, and/or tearing.
- 1-year limited on internal and external frame structure.
- 1-year limited on cushioning material, seat springs and mechanism.

CARE & MAINTENANCE

For non-removable areas:

Blot and spot clean immediately with a clean, absorbent cloth and a water-free stain remover (Cleaning Code: S).

For cushion covers:

- Ⓟ Dry clean only.
- ⊠ Do not tumble dry.
- ⊠ Do not bleach.
- 🧊 Iron at low temperature (230°F/110°C or below).

Follow Us

 @chitalivingofficial

 @chitaliving

 @chitaliving

 @chitaliving

If at any step you need a helping hand, we're always here for you. You can email us, or hop into a live chat on our website - whatever method is convenient for you.

 support@chitaliving.com