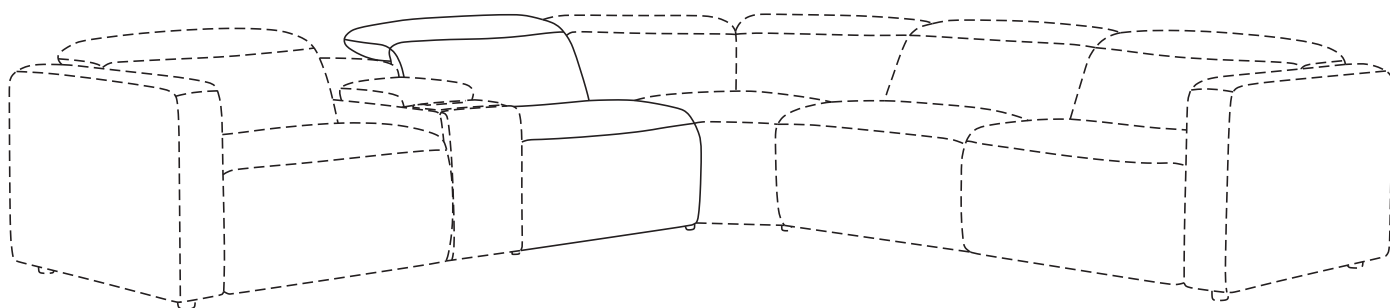


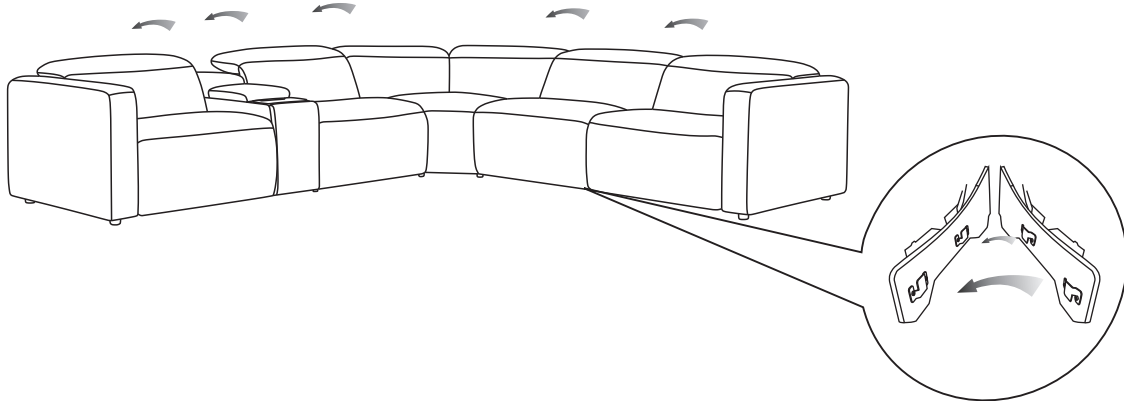
Power Armless Chair Oliver Collection **Assembly Manual**



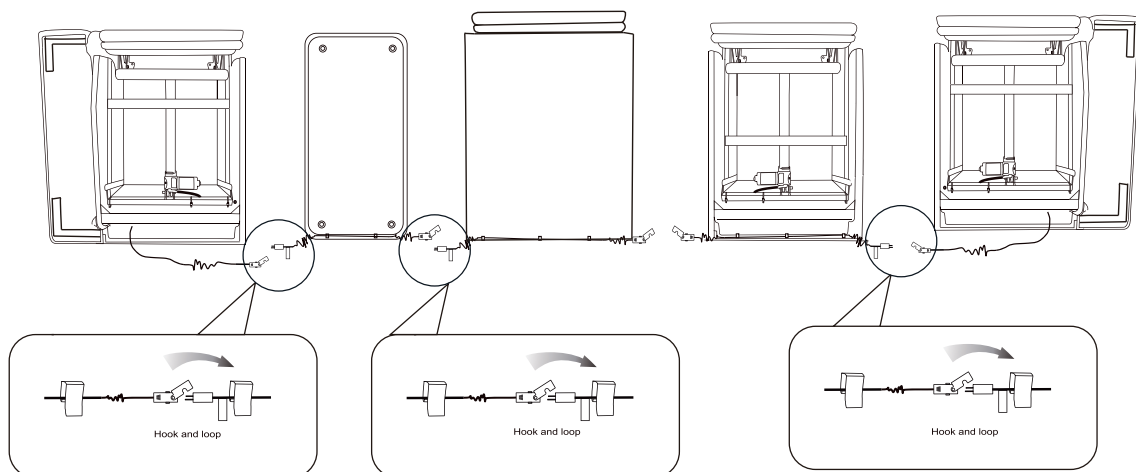
⚠ CAUTION THIS ASSEMBLY MANUAL CONTAINS IMPORTANT SAFETY INFORMATION.
PLEASE READ AND KEEP FOR FUTURE REFERENCE.

How to Connect

Step 1: Attach each piece with brackets on the side.



Step 2: Connect the wire piece by piece



Step 3: Plug the power cord of either the left or right power armchair into the power outlet.

Note: After all the connections are made, the green LED will be lit up.

