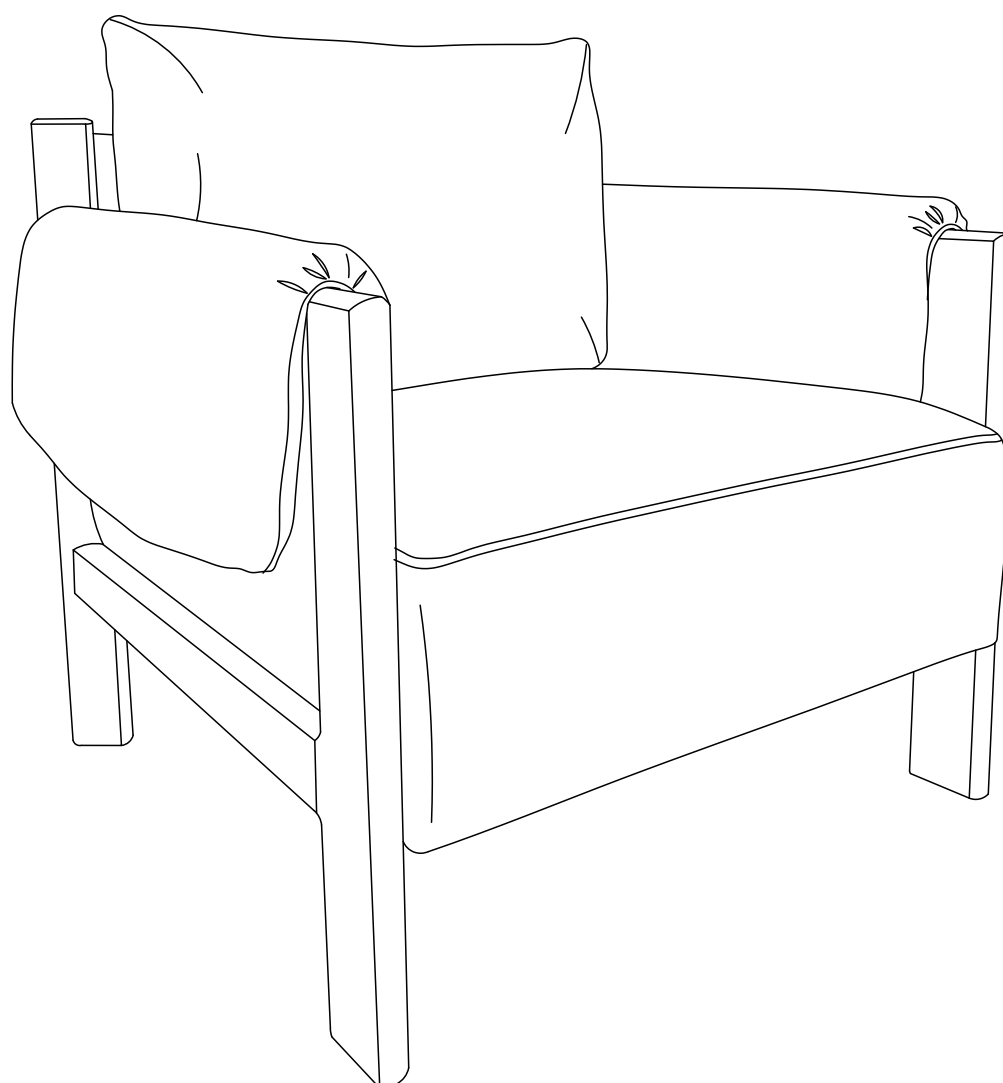


AC72906 Assembly Manual

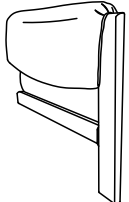
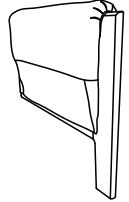
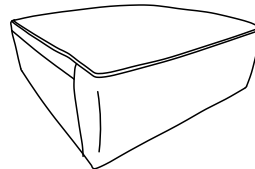
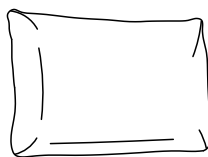
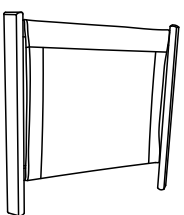
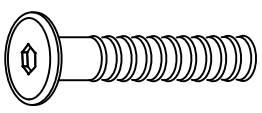
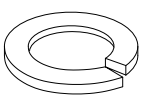
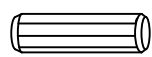

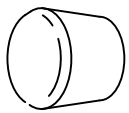
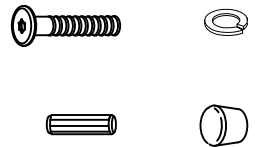
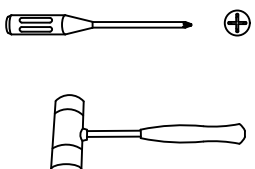
Accent Chair



CAUTION

THIS ASSEMBLY MANUAL CONTAINS IMPORTANT SAFETY INFORMATION.

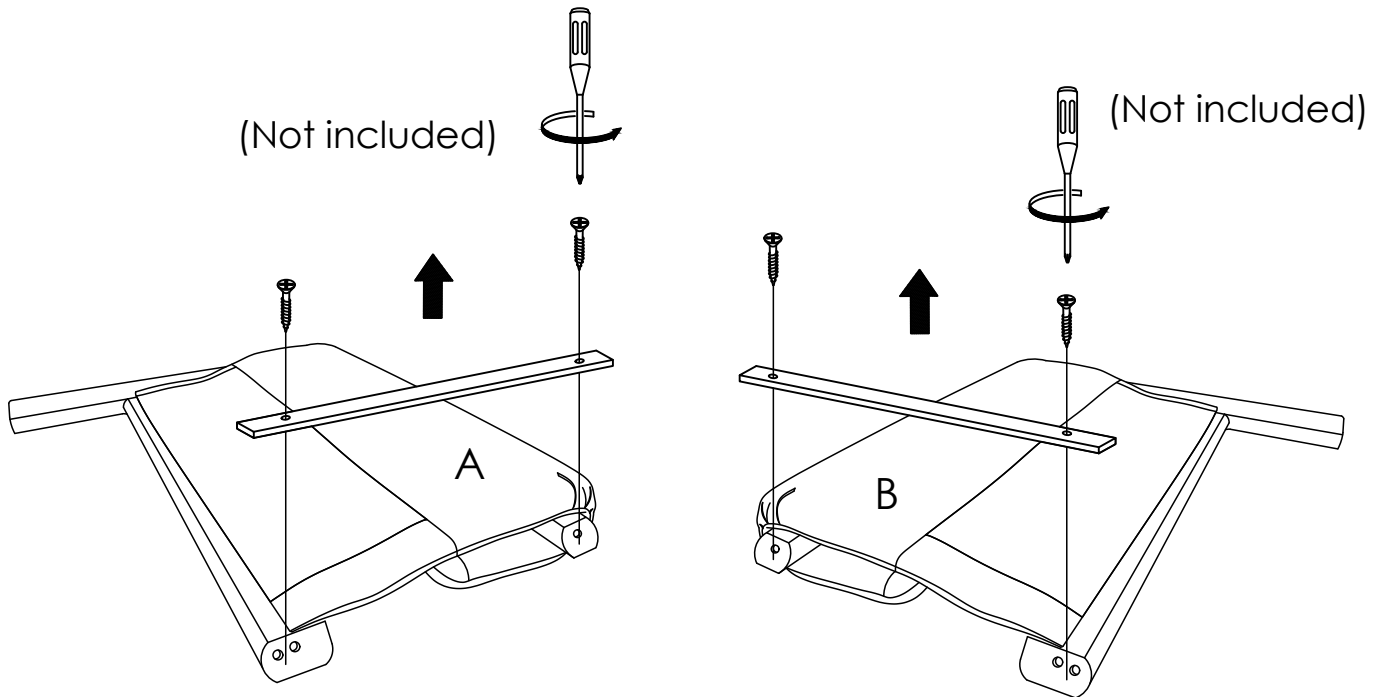
PLEASE READ AND KEEP FOR FUTURE REFERENCE.

<p>A x 1</p>  <p>Left Arm</p>	<p>B x 1</p>  <p>Right Arm</p>	<p>C x 1</p>  <p>Seat Cushion</p>	<p>D x 1</p>  <p>Back Cushion</p>
<p>E x 1</p>  <p>Backrest</p>			
<p>H1 x 8</p>  <p>Short Bolts M6 x 40mm</p>	<p>H2 x 8</p>  <p>Lock Washers 5/16"</p>	<p>H3 x 6</p>  <p>Wood Dowel M8 x 30mm</p>	<p>H4 x 1</p>  <p>Allen Wrench M4 x 100mm</p>
<p>H5 x 4</p>  <p>Wooden Plugs</p>	<p>Extra Hardware</p> 	<p>Not Included</p> 	

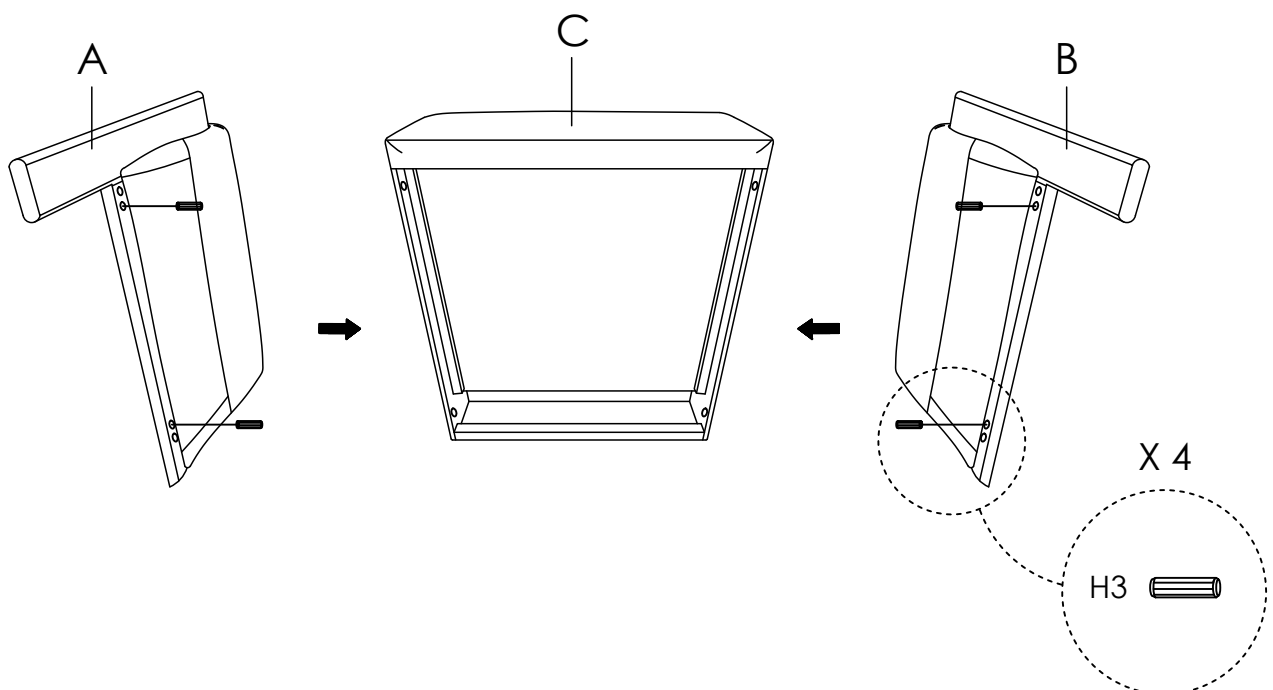
Before you begin:

1. Check if you have received all parts using the diagram on this page. Do not start the assembly process until all parts are present. If you have not received all parts or received wrong or damaged ones, please contact our customer service and we will get back to you.
2. Do not discard any of the packaging until you are certain that you have all the necessary parts for the assembly.
3. Do NOT use power tools for assembly.

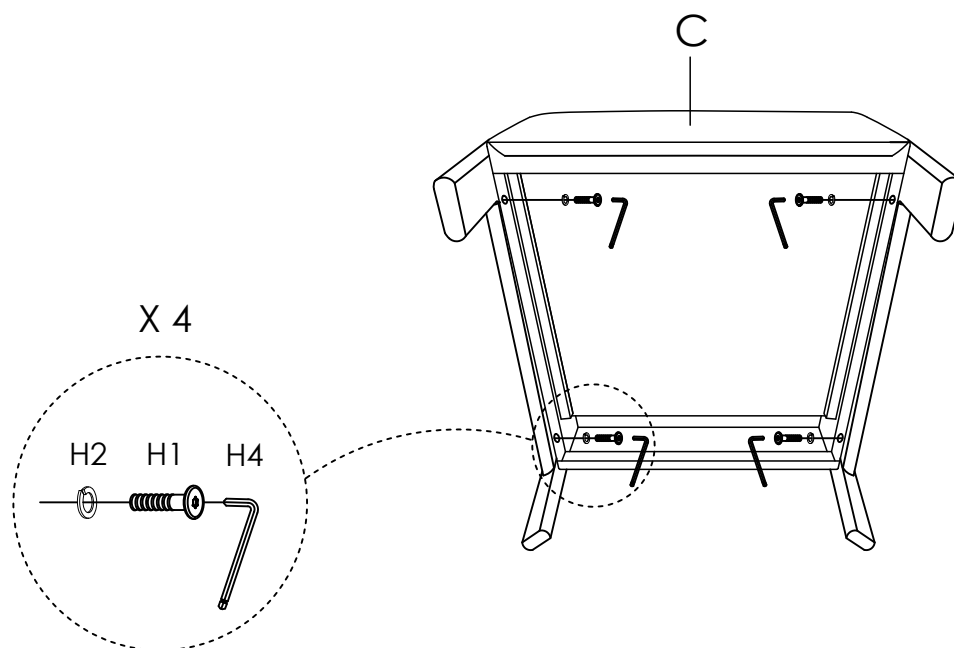
- 1 Unfasten the screw and remove the attached support rail from Left Arm (A) and Right Arm (B).



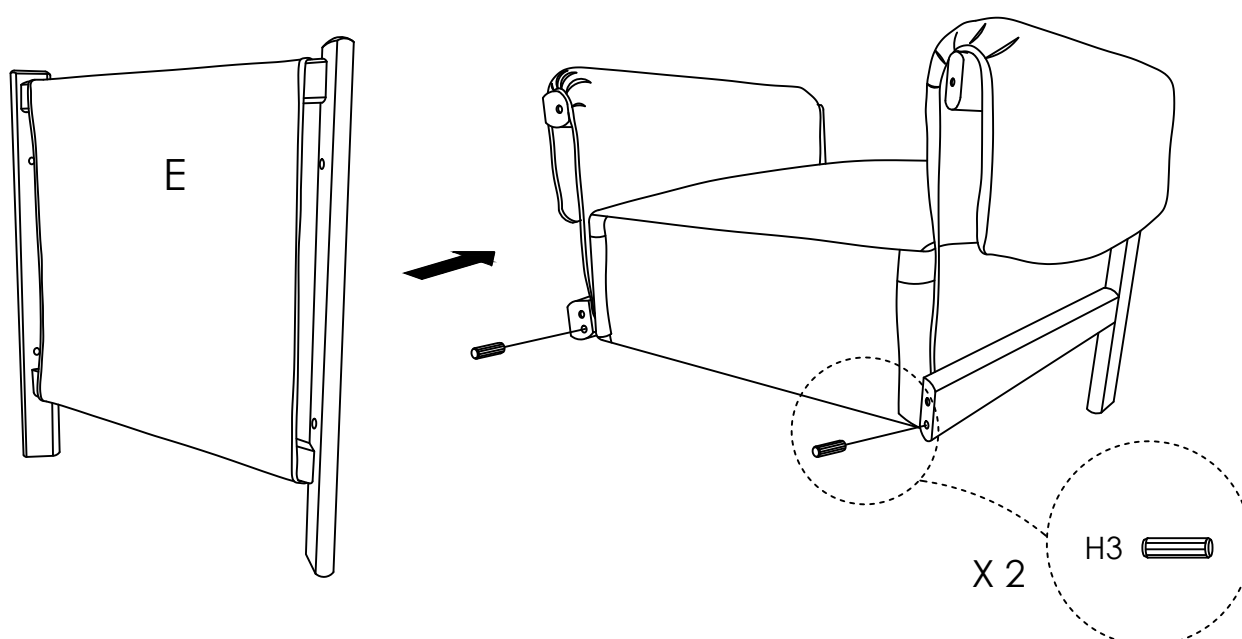
- 2 Please insert the Wood Dowel (H3) to Left Arm (A) and Right Arm (B). Attach arms to the Seat Cushion (C).



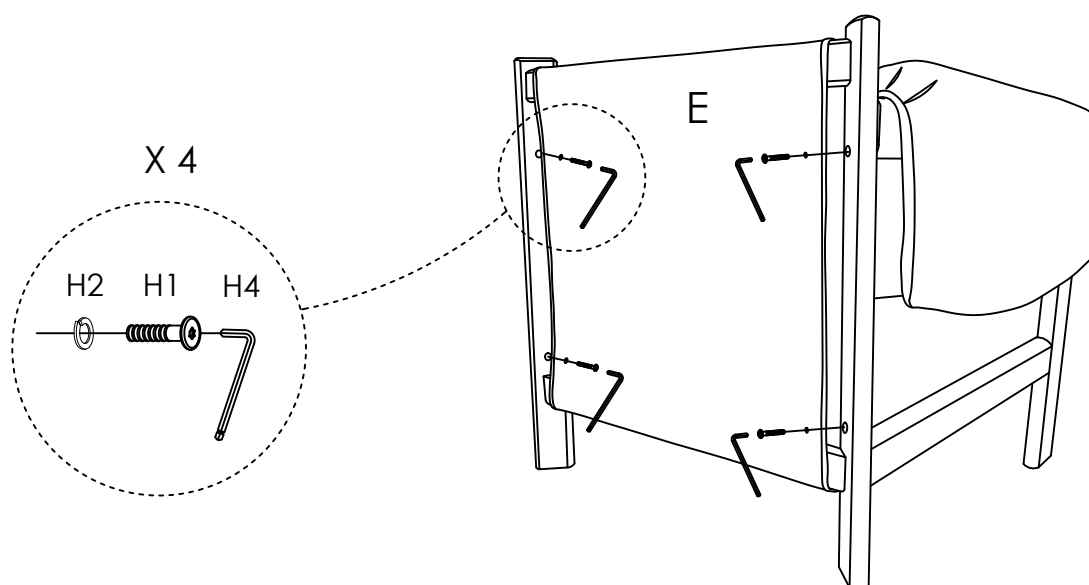
- 3** Move on to the holes from inner Seat Cushion (C), use Lock Washers (H2), Short Bolts (H1), and Allen Wrench (H4) to assemble the arms with cushion seat. **Do not fully tighten yet.**



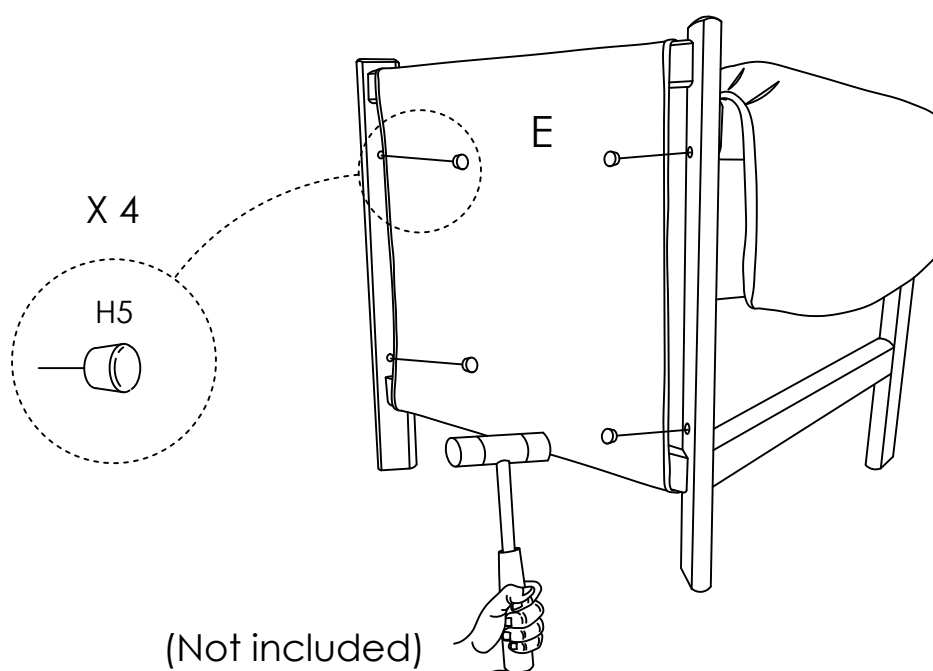
- 4** Insert the Wood Dowel (H3) to the side rail on both arms. Attach the Backrest (E) to the chair seat.



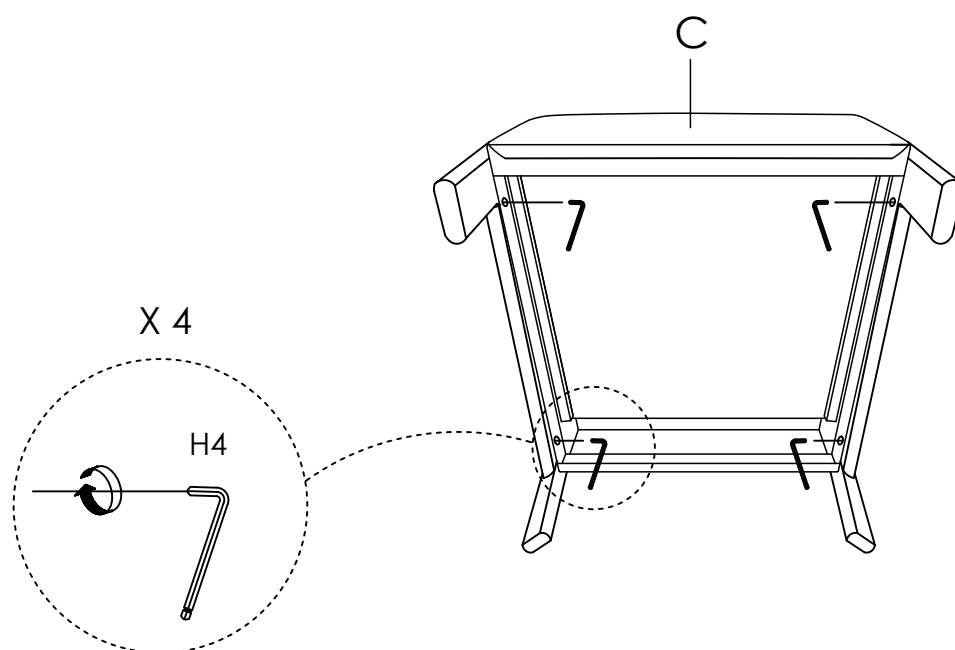
- 5** Assemble the Backrest (E) using Lock Washers (H2), Short Bolts (H1) and Allen Wrench (H4). **Fully tighten.**



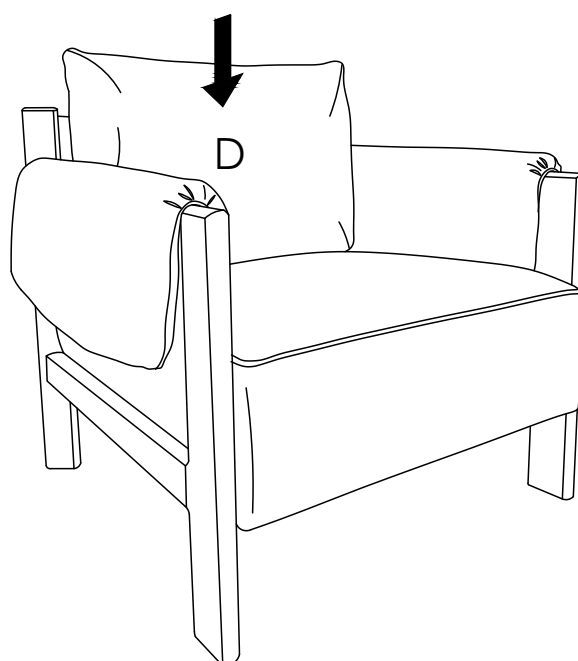
- 6** Gently tap the Wooden Plugs (H5) into the Backrest (E).



- 7** Fully tighten all bolts using Allen Wrench (H4) at the bottom of Seat Cushion(C).



- 8** Put on the Back Cushion (D). Assembly complete.



PRODUCT WARRANTY

- . 1-year limited on cover against splitting, peeling, and/or tearing.
- . 1-year limited on internal and external frame structure.
- . 1-year limited on cushioning material, seat springs and mechanism.

CARE & MAINTENANCE

Water Based Cleaner 'W' Spot clean using the foam only from a water-based cleaning agent such as a mild detergent or non-solvent upholstery shampoo product. Apply foam with a soft in circular motion.

Vaccum when dry.

Do not place furniture in direct sunlight and keep furniture at least 60 cm / 2 feet from heat sources to avoid fading.

Follow Us



@chitalivingofficial



@chitaliving



@chitaliving



@chitaliving

If at any step you need a helping hand, we're always here for you. You can email us, or hop into a live chat on our website - whatever method is convenient for you.



support@chitaliving.com