

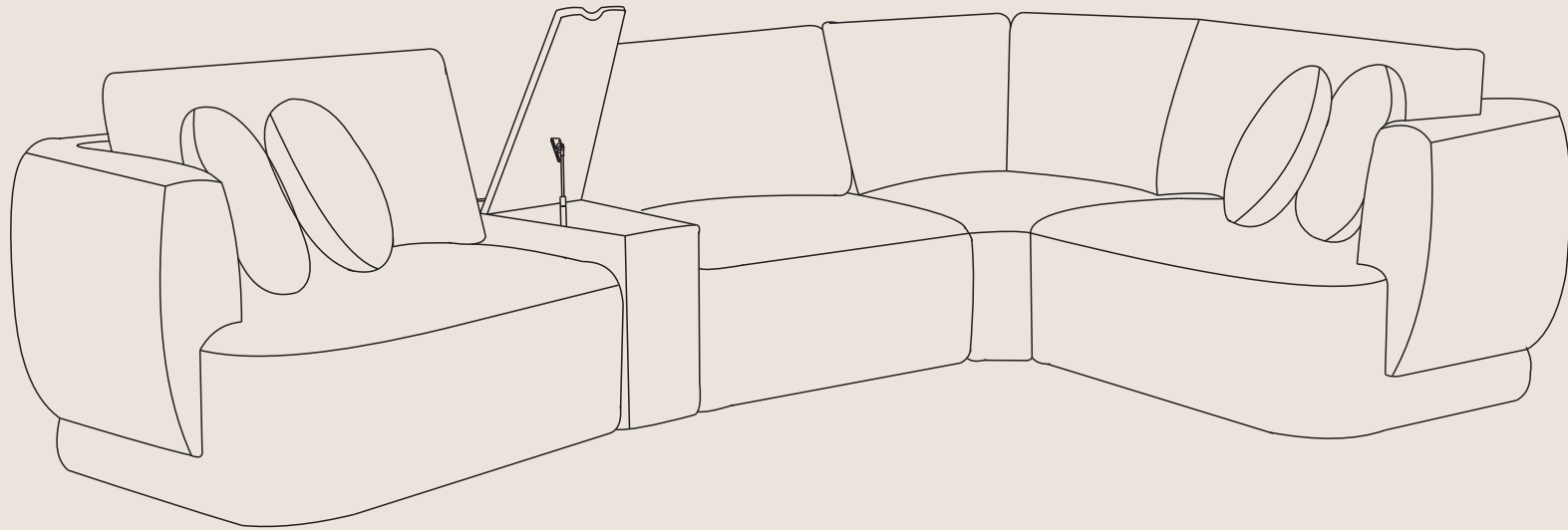
CHITA®

CHITA®

# Assembly Manual

Grace Collection

Modular Sofa



## Follow Us

 @chitalivingofficial

 @chitaliving

 @chitaliving

 @chitaliving

If at any step you need a helping hand, we're always here for you. You can email us, or hop into a live chat on our website — whatever method is convenient for you.

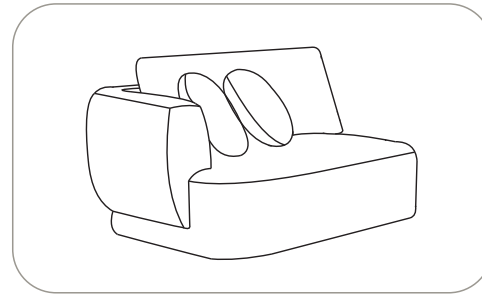
 [support@chitaliving.com](mailto:support@chitaliving.com)

Thank you for purchasing from CHITA LIVING. Please read this manual carefully before using and keep this manual for future reference.

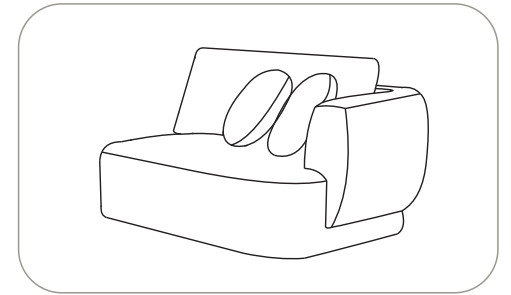
The design and /or specification of this product is subject to change without notice.

# Specification

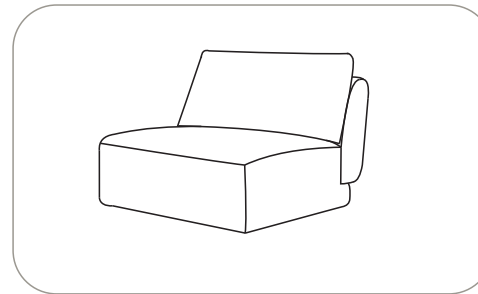
Each piece comes with one box.



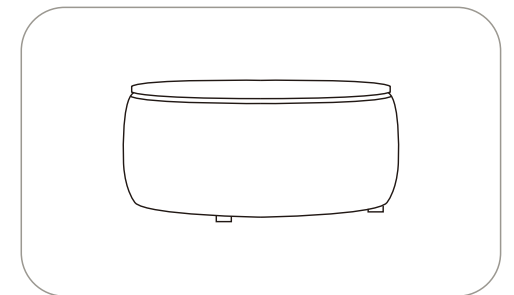
**Left Arm Chair  
W/ Two Pillows**



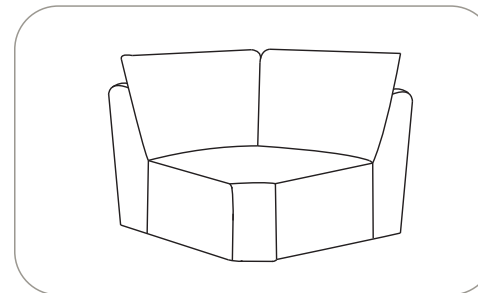
**Right Arm Chair  
W/ Two Pillows**



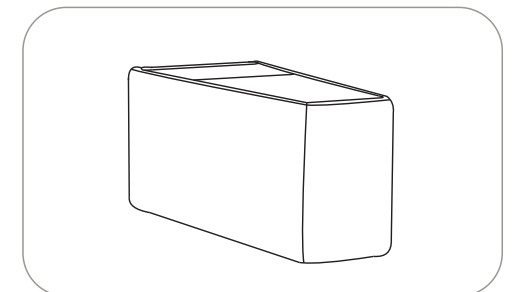
**Armless Chair**



**Round Storage  
Ottoman**



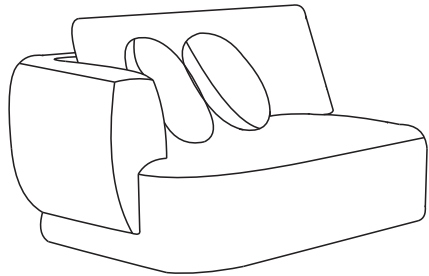
**Corner**



**Wedge Storage Console**

## Left Arm Chair

### Components



Legs (X4)



Washers (X4)

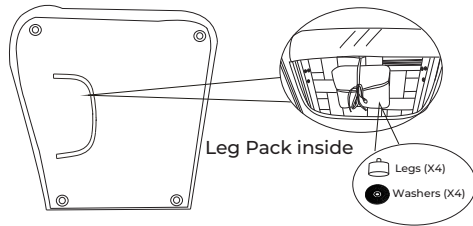


Round pillow (X2)

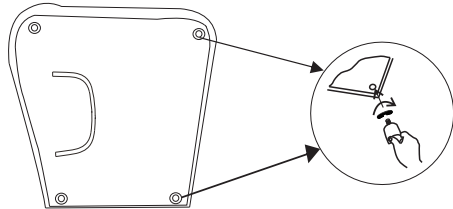


### Assembly Instructions

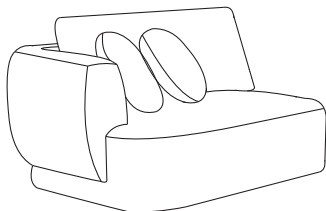
- 1 Remove the Leg Pack from the zippered compartment at the bottom of the Left Arm Chair.



- 2 Rotate the Legs into the Left Arm Chair. Fully tighten.

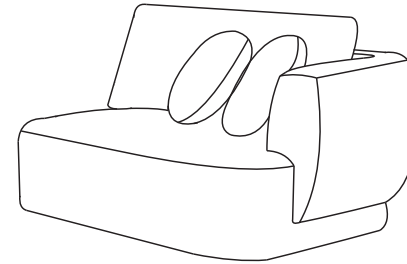


- 3 Fluff the two round pillows and back cushion, and put them on the chair.



## Right Arm Chair

### Components



Legs (X4)



Washers (X4)

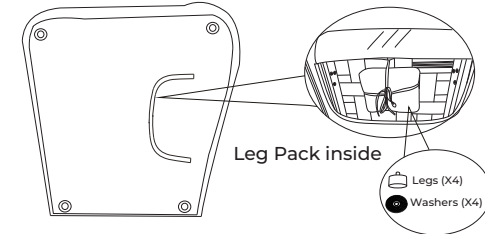


Round pillow (X2)

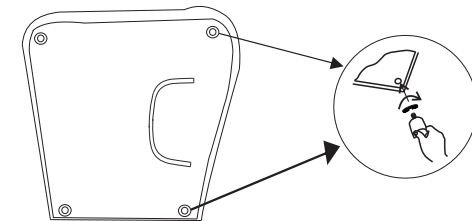


### Assembly Instructions

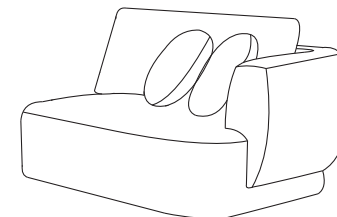
- 1 Remove the Leg Pack from the zippered compartment at the bottom of the Right Arm Chair.



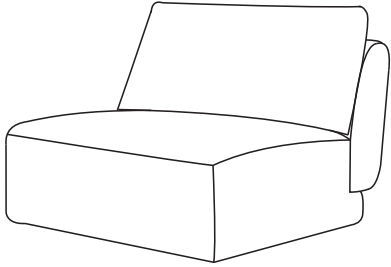
- 2 Rotate the Legs into the Right Arm Chair. Fully tighten.



- 3 Fluff the two round pillows and back cushion, and put them on the chair.



## Components



## Armless Chair

Legs (X4)



Washers (X4)

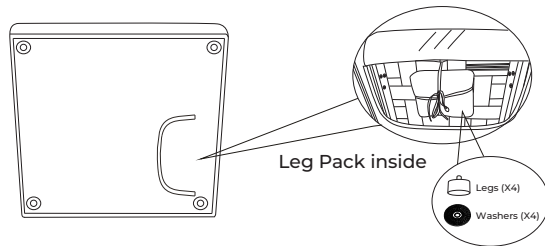


Round pillow (X2)

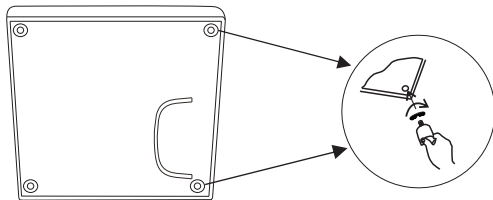


## Assembly Instructions

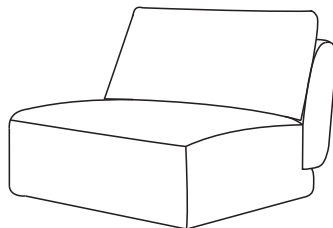
- 1 Remove the Leg Pack from the zippered compartment at the bottom of the Armless Chair.



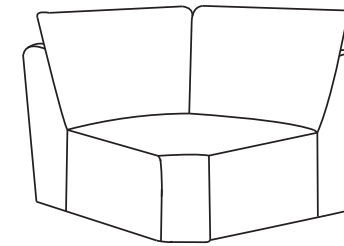
- 2 Rotate the Legs into the Armless Chair. Fully tighten.



- 3 Fluff the back cushion and put it on the chair.



## Components



## Wedge

Legs (X5)

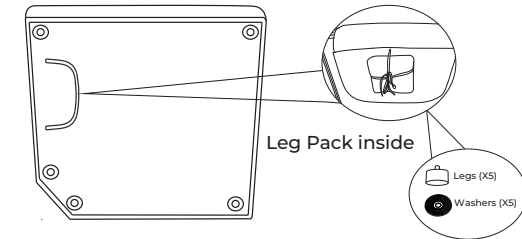


Washers (X5)

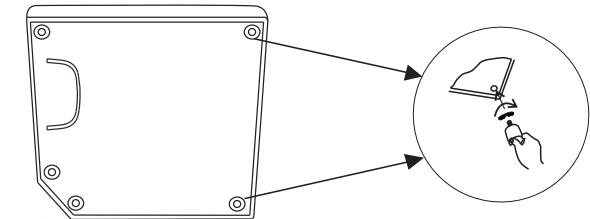


## Assembly Instructions

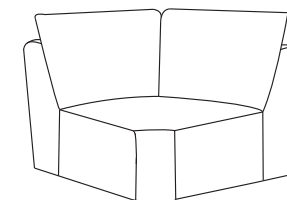
- 1 Remove the Leg Pack from the zippered compartment at the bottom of the Wedge.



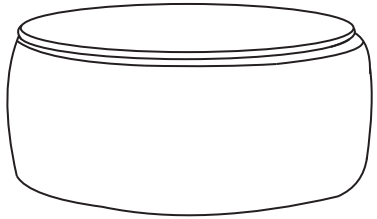
- 2 Rotate the Legs into the Wedge. Fully tighten.



- 3 Fluff the back cushions and put them on the Wedge.



## Components



Legs (X4)

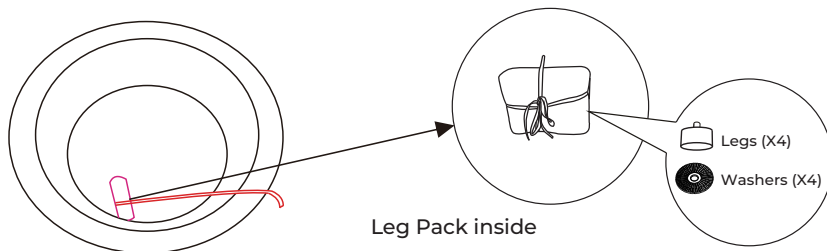


Washers (X4)

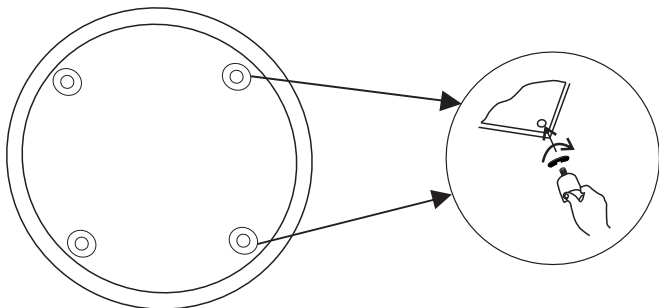


## Assembly Instructions

- 1 Remove the Leg Pack from the storage space.

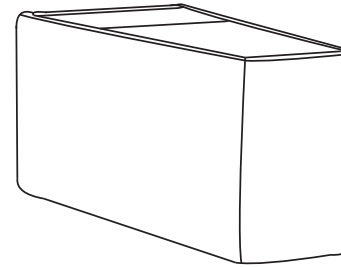


- 2 Rotate the Legs into the Ottoman. Fully tighten.



## Round Storage Ottoman

## Components



Legs (X4)

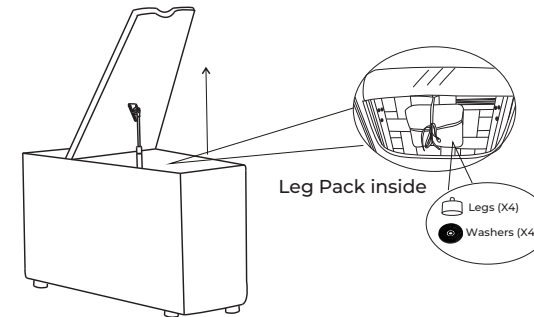


Washers (X4)

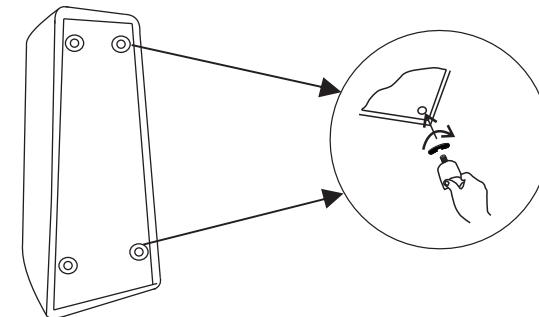


## Assembly Instructions

- 1 Remove the Leg Pack from the storage space.

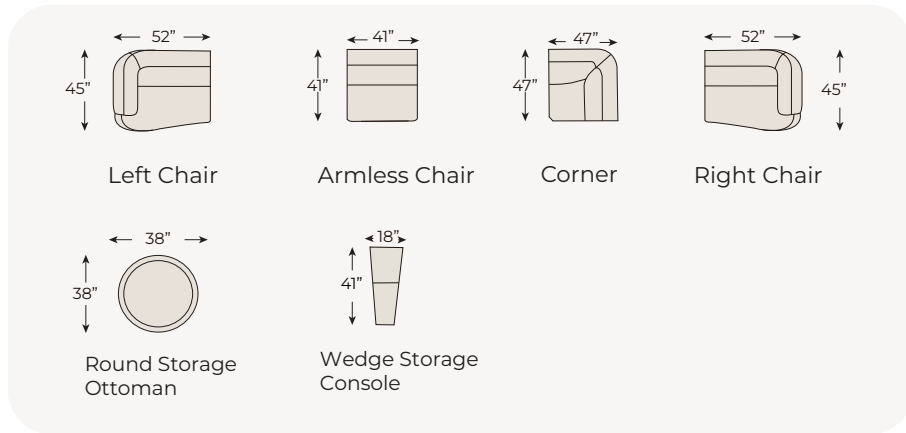


- 2 Rotate the Legs into the Console. Fully tighten.

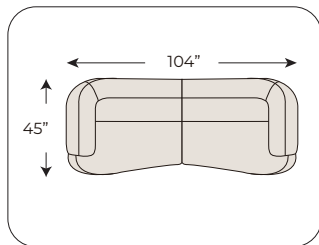


## Wedge Storage Console

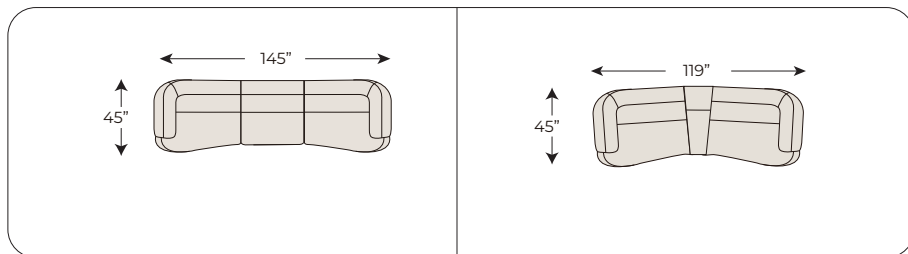
# SKETCHES OF CONFIGURATIONS



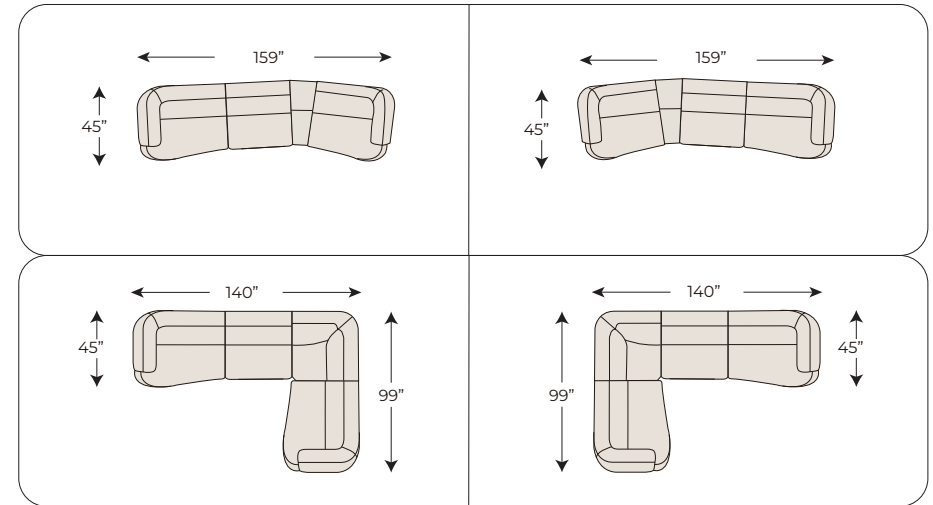
## 2-Piece



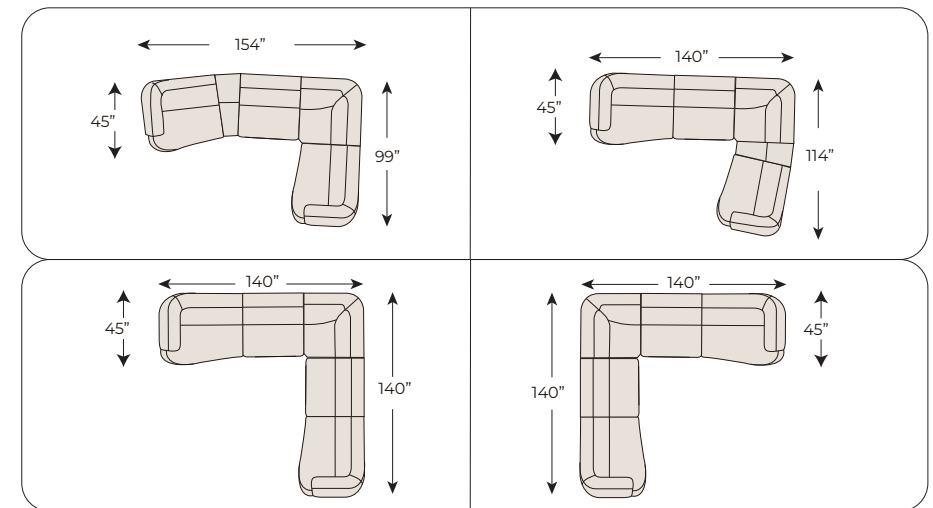
## 3-Piece



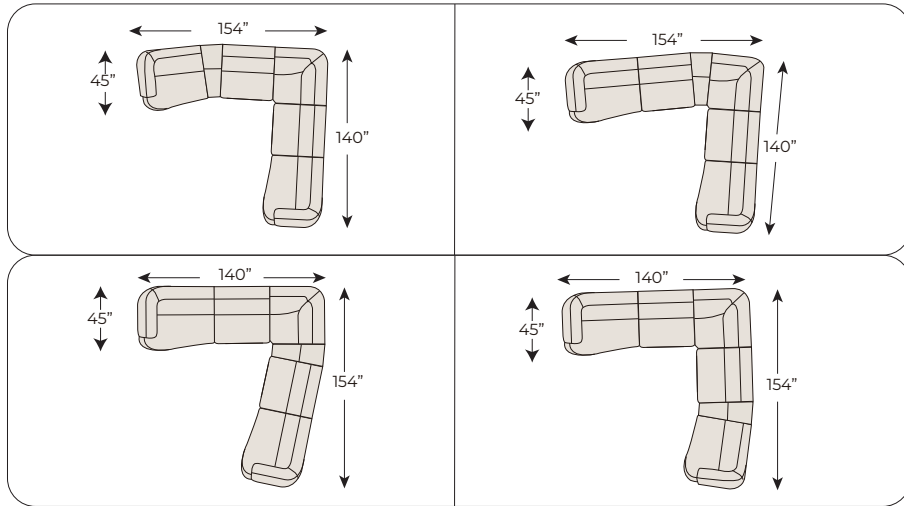
## 4-Piece



## 5-Piece



# 6-Piece



## Care Instruction

### For non-removable areas:

Blot and spot clean immediately with a damp white cloth and a water-based cleaner or upholstery shampoo (Cleaning Code: W).

### For cushion covers:

Machine washable in cold, gentle cycle and hang to dry.

🧺 Wash using cold water (86°F / 30°C or below).

⊗ Do not bleach.

⊠ Do not tumble dry.

☒ Hang to dry.

🧊 Iron at low temperature (230°F / 110°C or below).

Ⓟ Dry clean using Tetrachloroethylene (PCE).