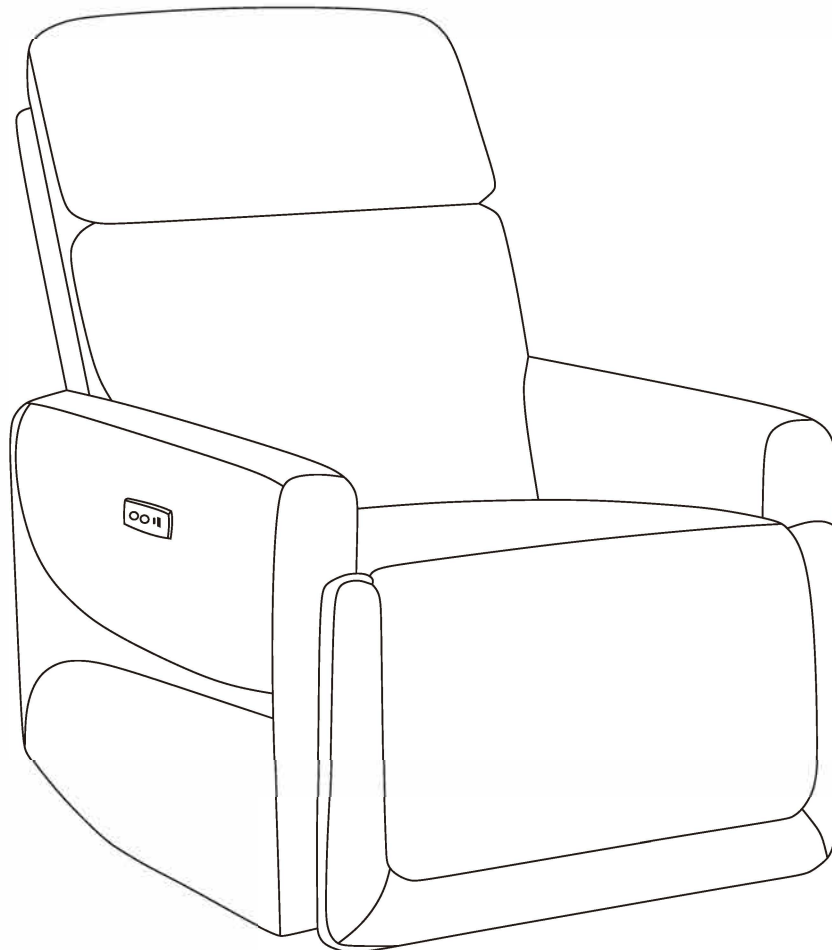


Power Recliner Armchair Assembly Manual ME7A6073

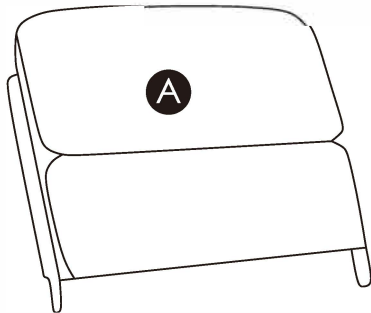


CAUTION

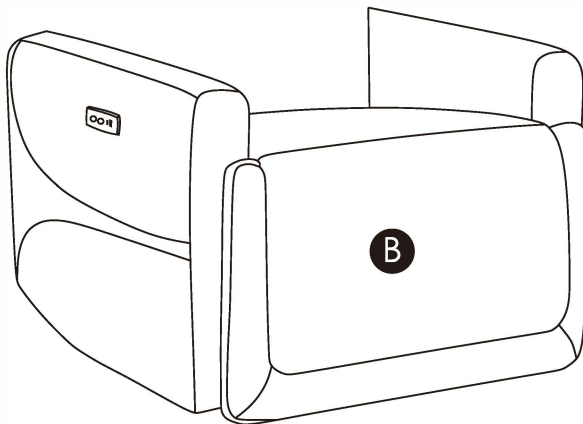
THIS ASSEMBLY MANUAL CONTAINS IMPORTANT SAFETY INFORMATION.

PLEASE READ AND KEEP FOR FUTURE REFERENCE.

COMPONENTS

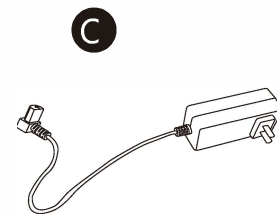


A Chair Back
1X



B Chair Base
1X

C Power Cord
1X

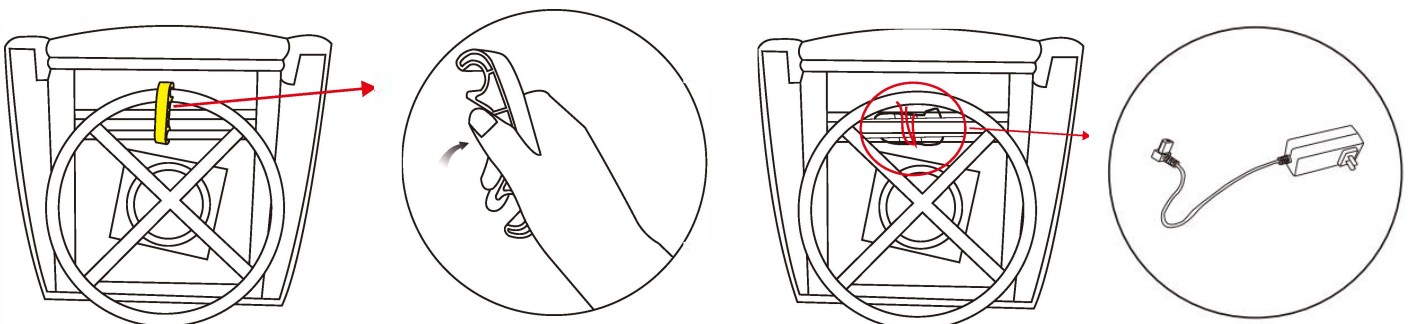


WARNING

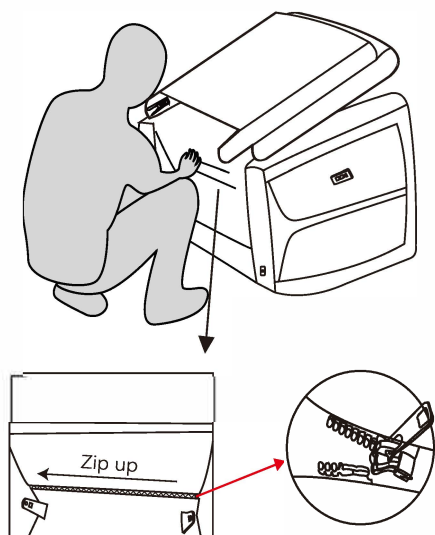
Find a yellow protector at the bottom, then remove it before using.

Before you begin:

Locate the power cord at the bottom of the chair.

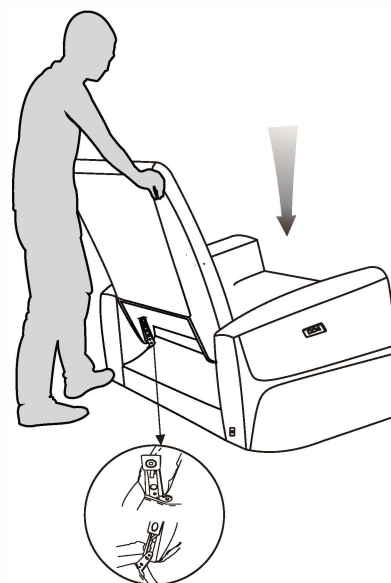


1



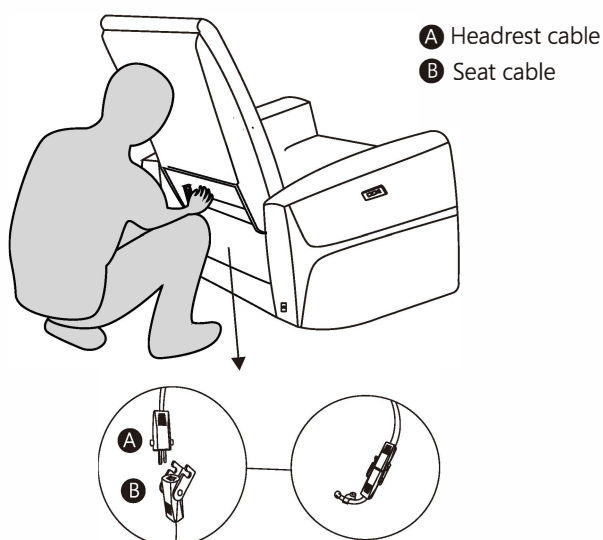
Zip up the bottom of the back and the seat together.

2



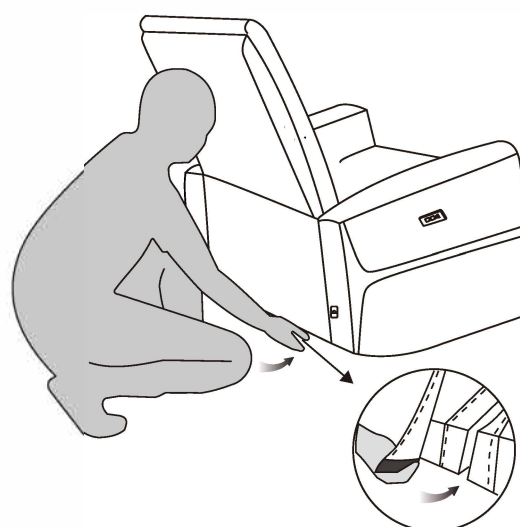
Slide the back into the metallic quick connectors of the base. Push down the back firmly until each side is locked into place and an audible "Click" is heard.

3

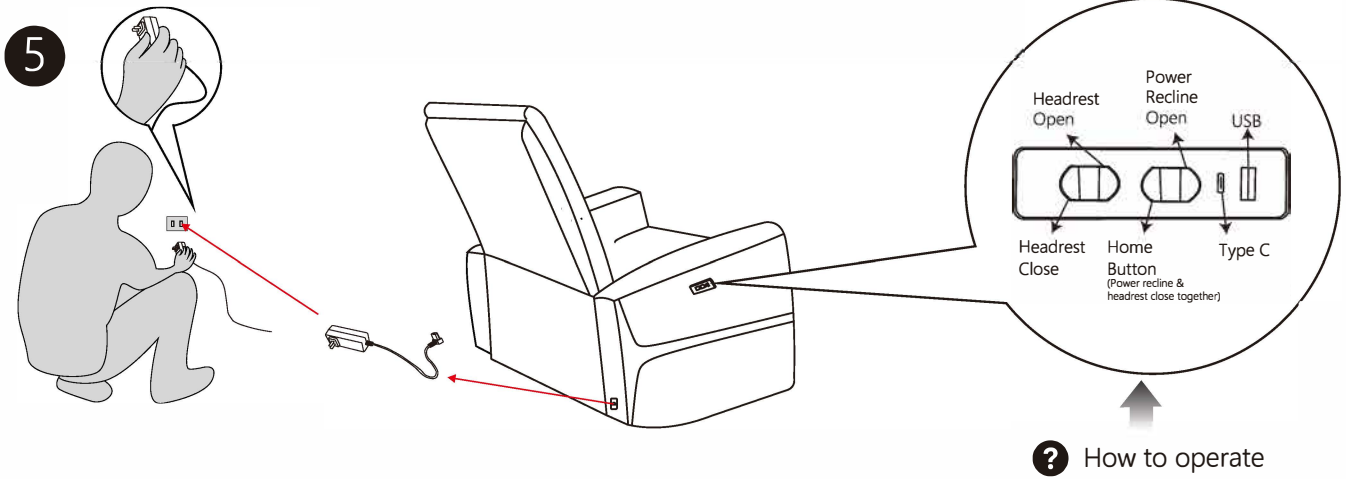


Connect the cable A into cable B.

4



Attach the back cover to the bottom of the seat with Velcro.

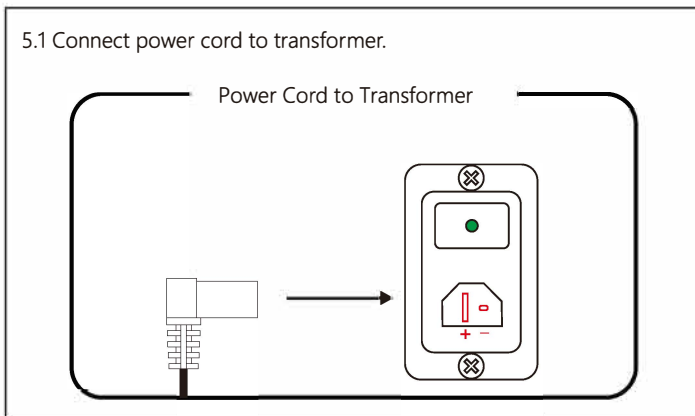


Connect one end of the power cord into the DC adaptor located at the back corner of the seat. Plug the other end of power cord into the power outlet.

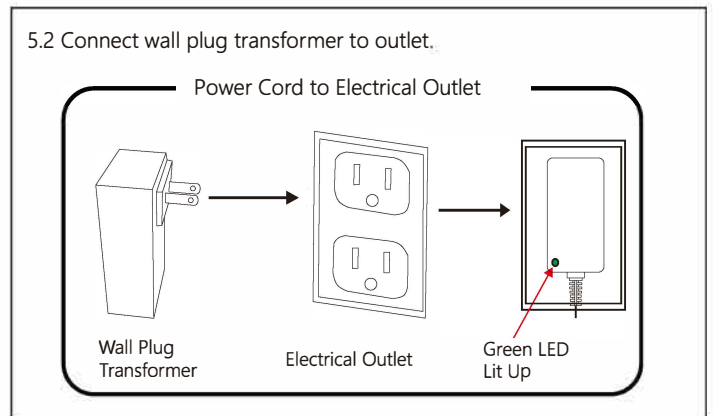
Note: After all the connections are made, the green LED will be lit up.

POWER CONNECTIONS

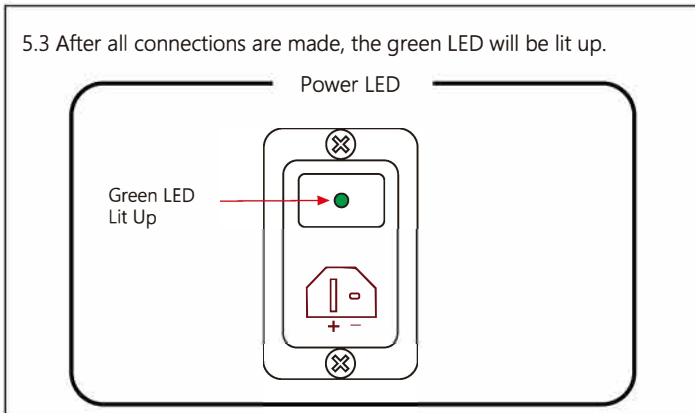
5.1 Connect power cord to transformer.



5.2 Connect wall plug transformer to outlet.



5.3 After all connections are made, the green LED will be lit up.



PRODUCT WARRANTY

- 1-year limited on fabric against bleeding, wearing, and/or tearing.
- 1-year limited on internal and external frame structure.
- 1-year limited on cushioning material, seat springs and mechanism.

CARE & MAINTENANCE

Clean with shampoo, foam or dry cleaning solvents as desired. Do not saturate with liquid. Pile fabrics may require brushing to restore appearance. Cushion covers should not be removed and dry cleaned.

Follow Us

 @chitalivingofficial

 @chitaliving

 @chitaliving

 @chitaliving

If at any step you need a helping hand, we're always here for you. You can email us, or hop into a live chat on our website - whatever method is convenient for you.

 support@chitaliving.com