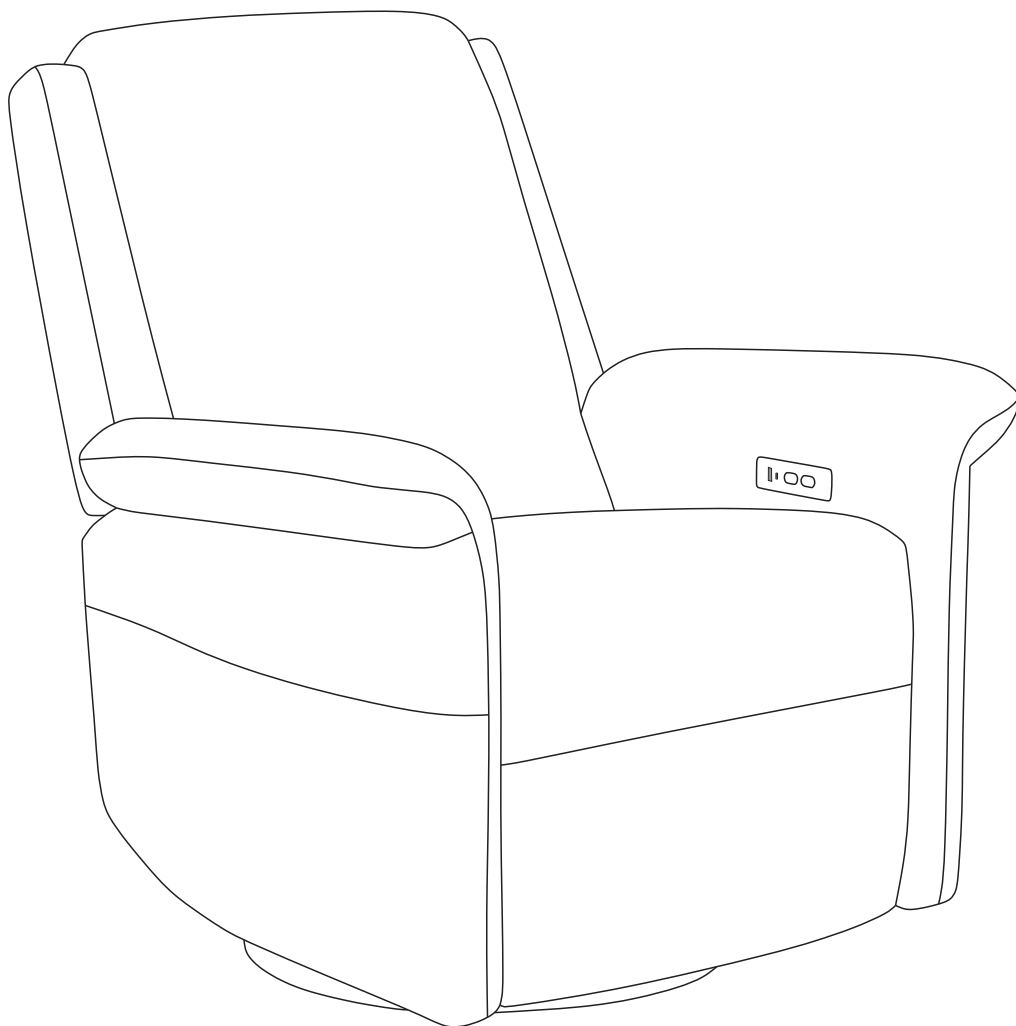
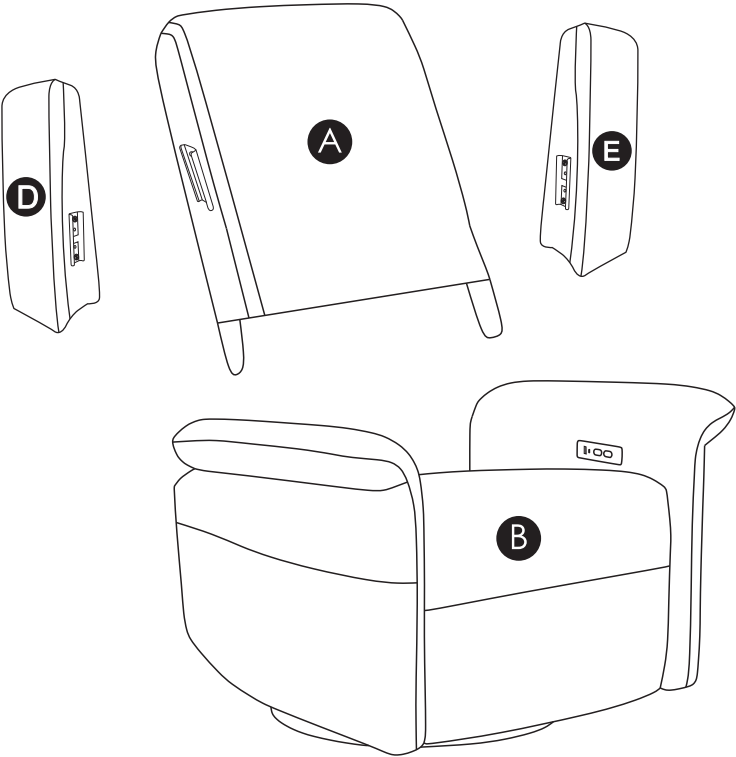


Power Recliner Armchair Assembly Manual ME7A006



⚠ CAUTION THIS ASSEMBLY MANUAL CONTAINS IMPORTANT SAFETY INFORMATION.
PLEASE READ AND KEEP FOR FUTURE REFERENCE.

COMPONENTS

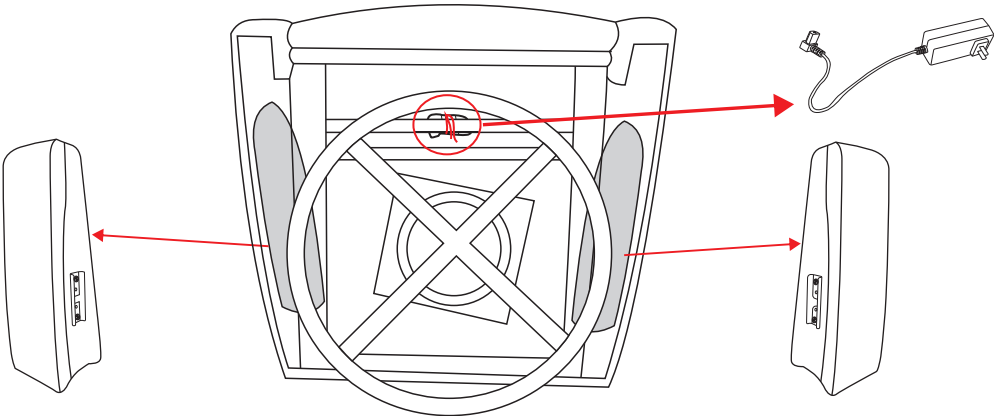


- A** Chair Back
1X
- B** Chair Base
1X
- C** Power Cord
1X
- D** Left Wingback
1X
- E** Right Wingback
1X

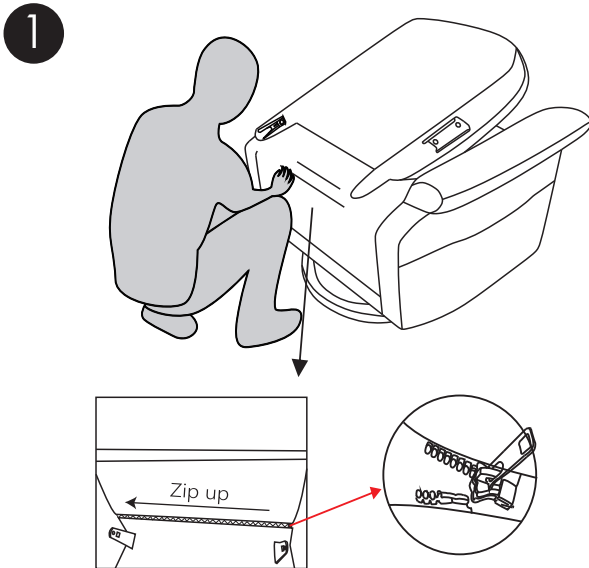


Before you begin:

Locate the power cord and wing backs at the bottom of the chair.



ASSEMBLY INSTRUCTIONS



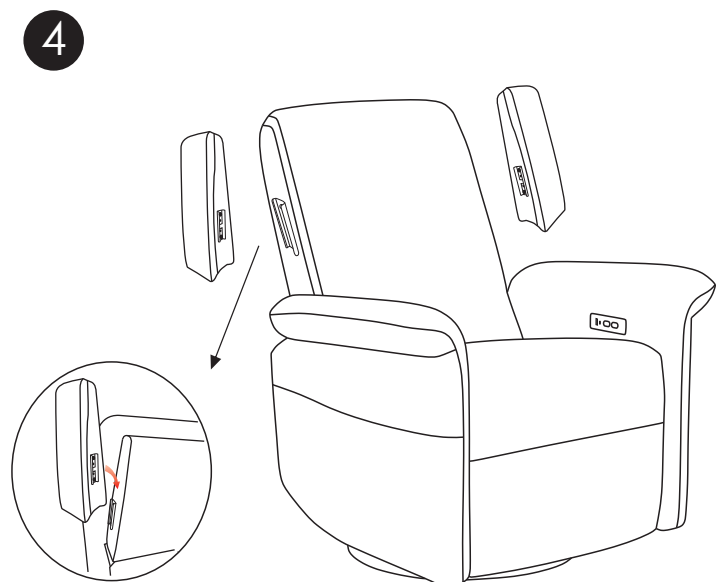
Zip up the bottom of the back and the seat together.



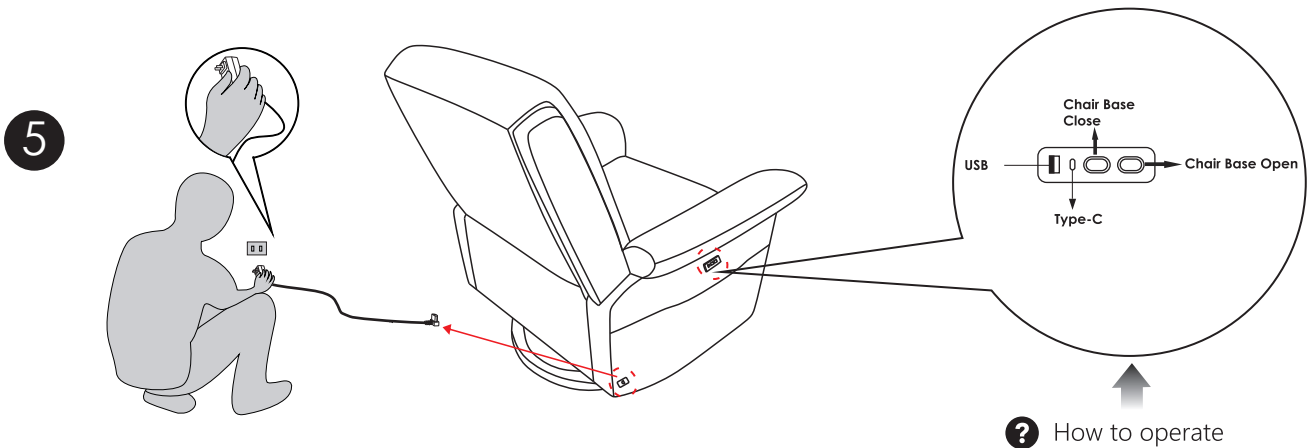
Slide the back into the metallic quick connectors of the base. Push down the back firmly until each side is locked into place and an audible "click" is heard.



Attach the back cover to the bottom of the seat with Velcro.



Slide the Left and Right wingbacks on the backrest.



Connect one end of the power cord into the DC adaptor located at the bottom of the left arm. Plug the other end of power cord into the power outlet.
 Note: After all the connections are made, the green LED will be lit up.

POWER CONNECTIONS

