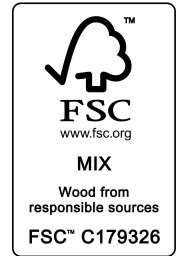


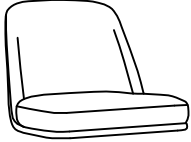
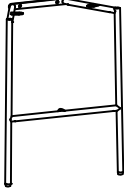
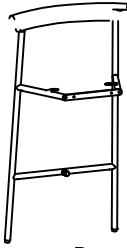

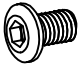
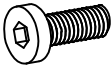
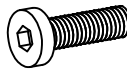
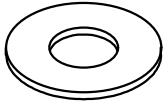
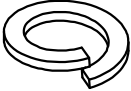
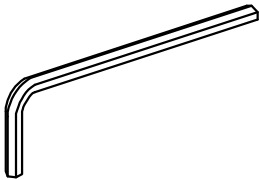

# BS72018 Assembly Manual

## Counter & Bar Height Stool



 **CAUTION**

THIS ASSEMBLY MANUAL CONTAINS IMPORTANT SAFETY INFORMATION.  
PLEASE READ AND KEEP FOR FUTURE REFERENCE.

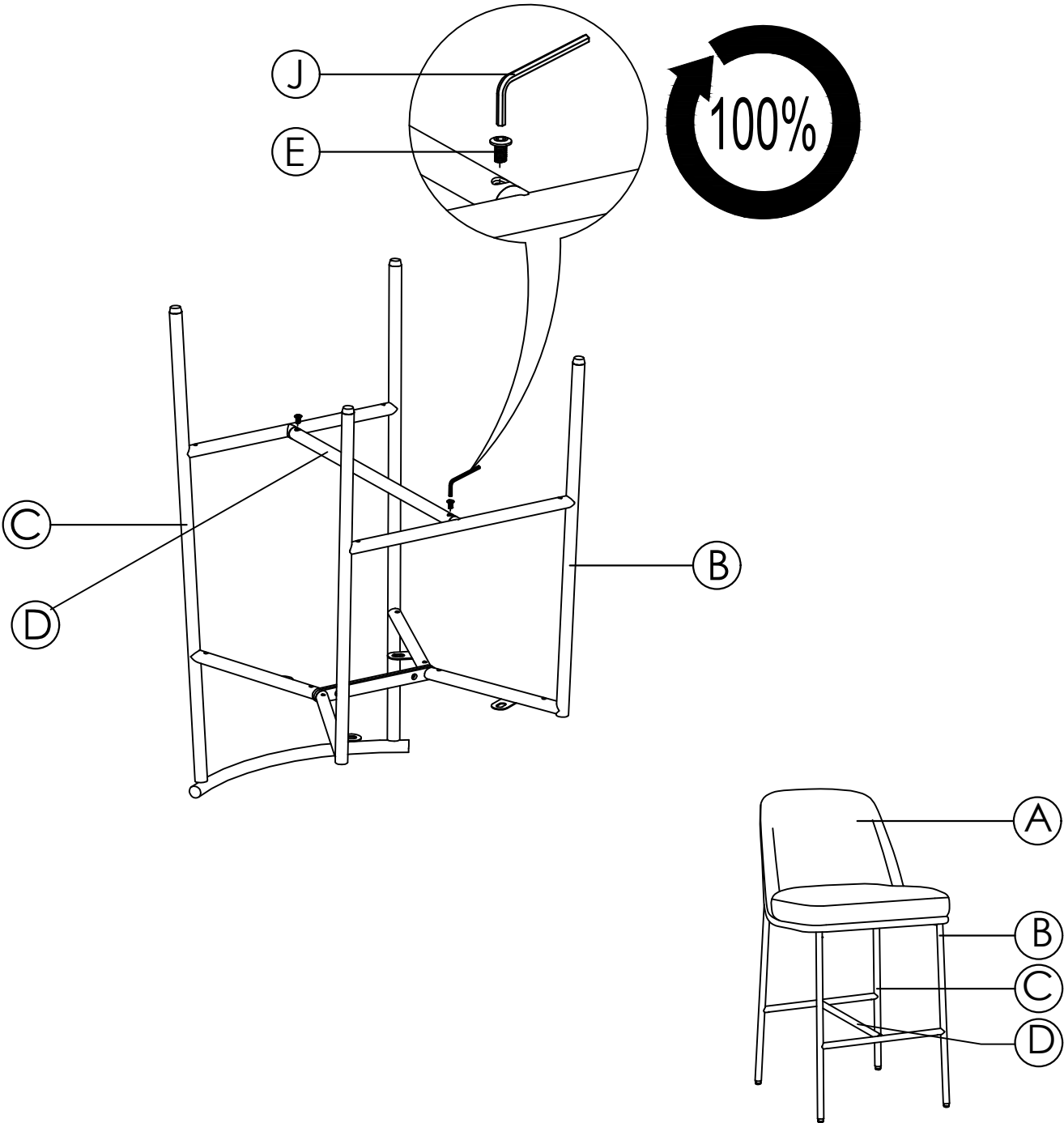
<p>Ax1</p>  <p>Seat &amp; Back</p>	<p>Bx1</p>  <p>Front Leg</p>	<p>Cx1</p>  <p>Back Leg</p>	<p>Dx1</p>  <p>Round Tube</p>
<p>Ex2</p>  <p>M6 x 10mm Bolt</p>	<p>Fx2</p>  <p>M6 x 16mm Bolt</p>	<p>Gx4</p>  <p>M6 x 20mm Bolt</p>	<p>Hx6</p>  <p>M6 Flat Washer</p>
<p>Ix6</p>  <p>M6 Spring Washer</p>	<p>Jx1</p>  <p>4# Allen wrench</p>	<p>Kx4</p>  <p>Ø15mm Felt Pad</p>	

Please read through the instructions below to familiarize yourself with the parts and steps before assembly.

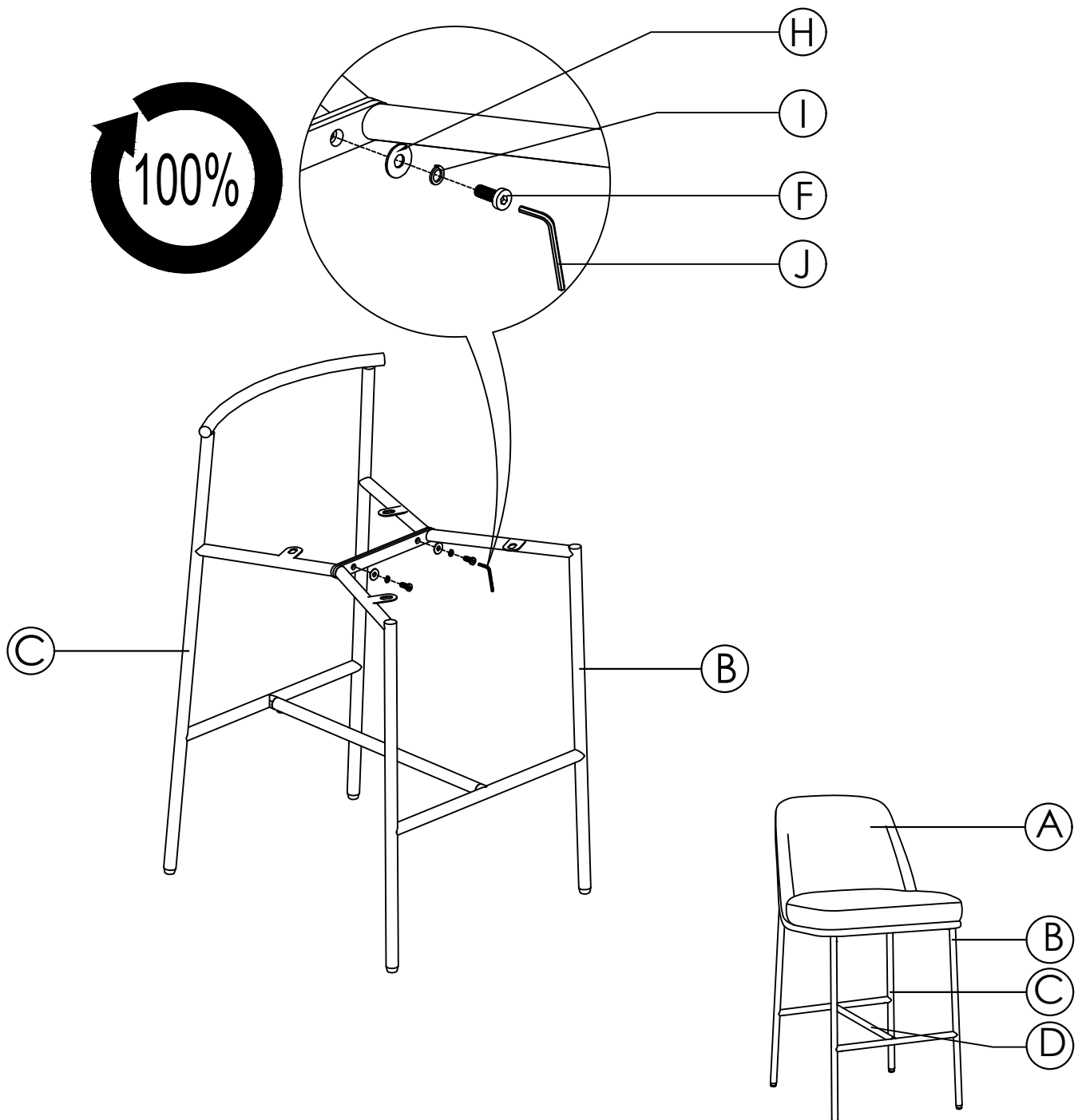
**Note: Do NOT use power tools for assembly.**

# ASSEMBLY INSTRUCTIONS

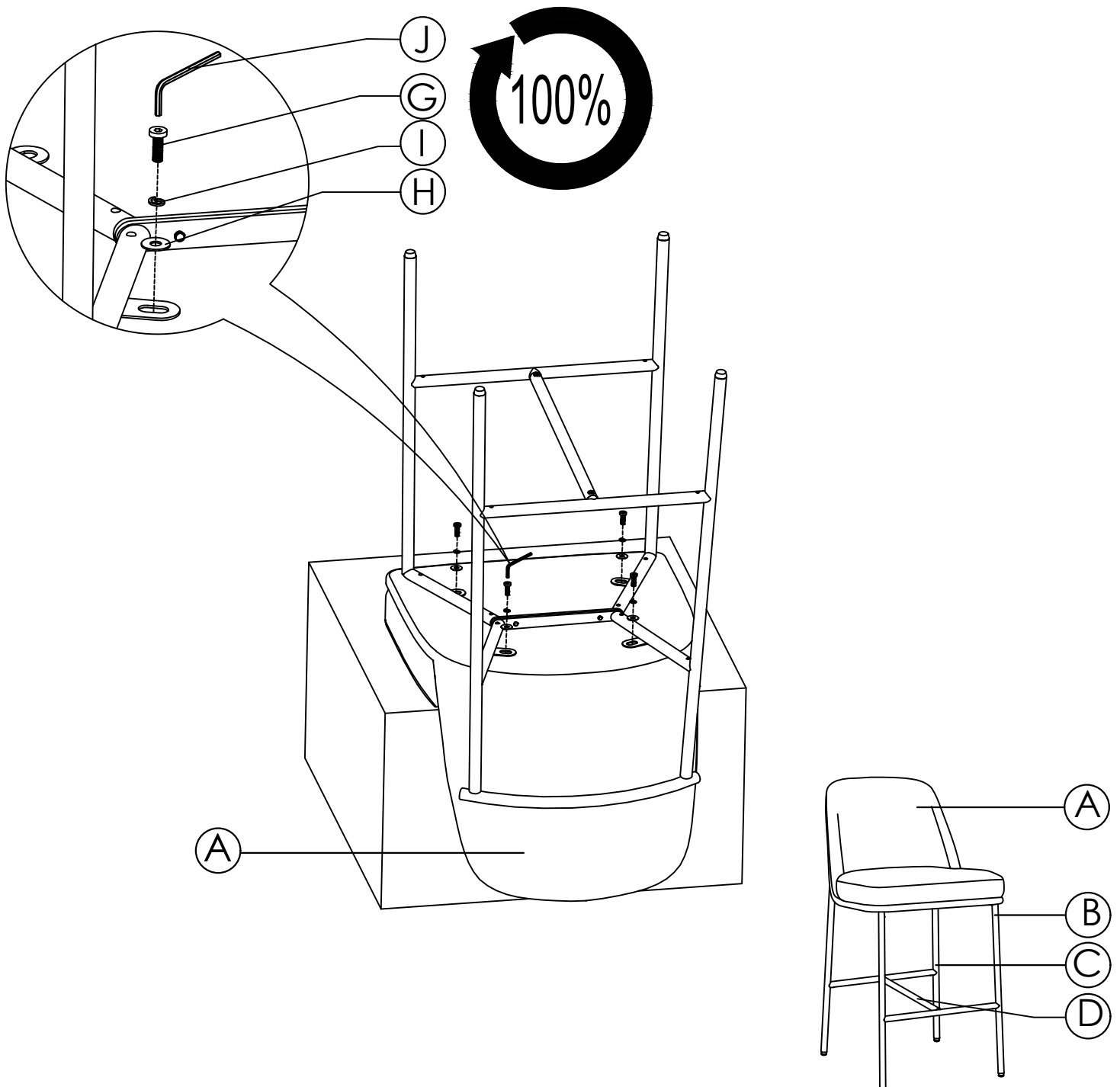
**1** Connect Front Leg (B) and Back Leg (C) with Round Tube (D), using Bolts (E) and Allen Wrench (J). **Fully tighten.**



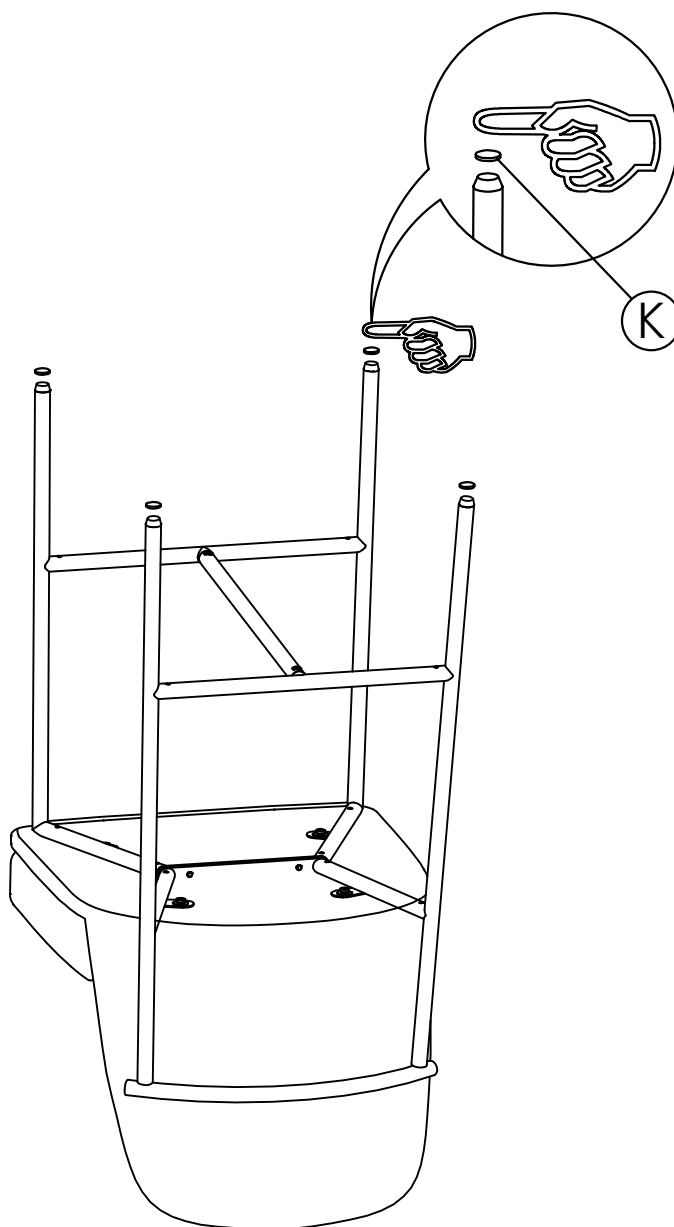
- 2** Connect Front Leg (B) and Back Leg (C) as indicated below, using Bolts (F), Spring Washers (I), Flat Washers (H), and Allen Wrench (J). Fully tighten.



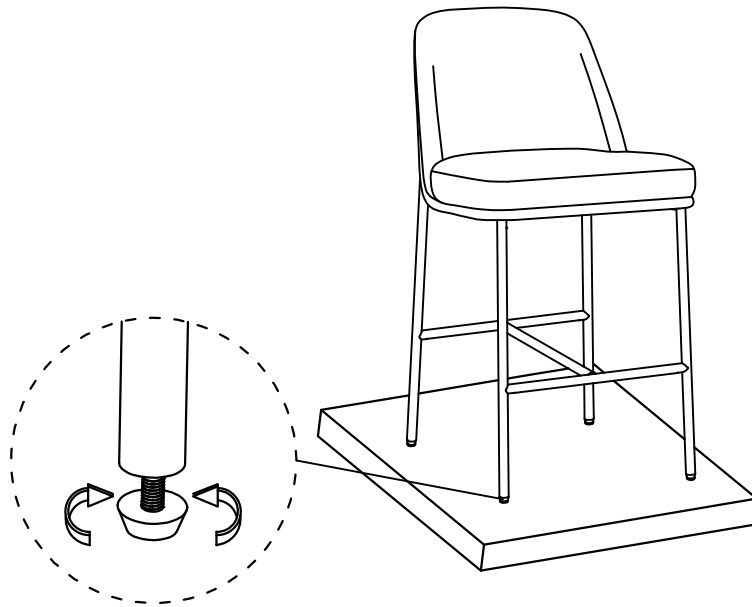
- 3** Attach Seat & Back (A) to assembled chair frame from Step 2, using Bolts (G), Spring Washers (I), Flat Washers (H), and Allen Wrench (J). Fully tighten.



- 4** Complimentary Felt Pads (K) are included to help protect your floor or make the stool slide easier.



- 5** Turn assembled stool upright and place on a flat surface.  
**Note: Each leg has an adjustable foot leveler to help level your stool.**



- 6** Assembly complete. Enjoy.

