

CHITA®

CHITA®

Assembly Manual

Davin Power Lift Chair with Massage



Follow Us

 @chitalivingofficial

 @chitaliving

 @chitaliving

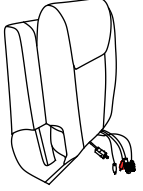
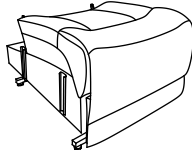
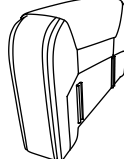
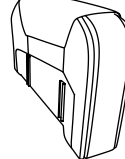
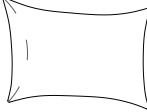
 @chitaliving



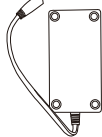



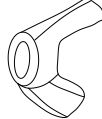
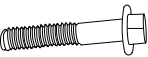
If at any step you need a helping hand, we're always here for you. You can email us, or hop into a live chat on our website — whatever method is convenient for you.

 support@chitaliving.com

Thank you for purchasing from CHITA LIVING. Please read this manual carefully before using and keep this manual for future reference. The design and/or specification of this product is subject to change without notice.

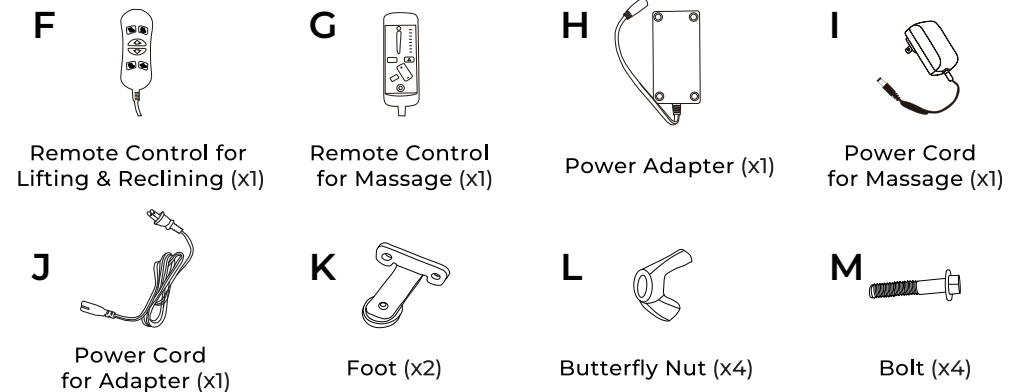
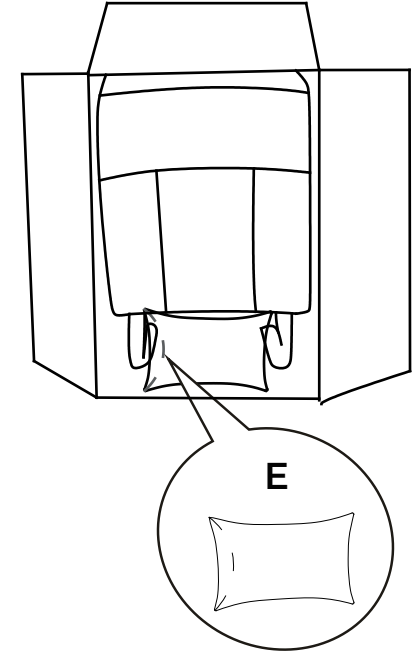
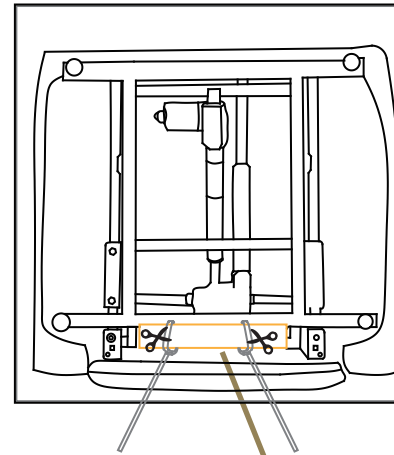
Count parts before assembling.

A 1pc 	B 1pc 	C 1pc 	D 1pc 
Backrest	Seat	Left Armrest	Right Armrest
E 1pc 			
Lumbar Pillow			

F 1pc 	G 1pc 	H 1pc 	I 1pc 
Remote Control for Lifting & Reclining	Remote Control for Massage	Power Adapter	Power Cord for Massage
J 1pc 	K 2pc 	L 4pc 	M 4pc 
Power Cord for Adapter	Foot	Butterfly Nut	Bolt

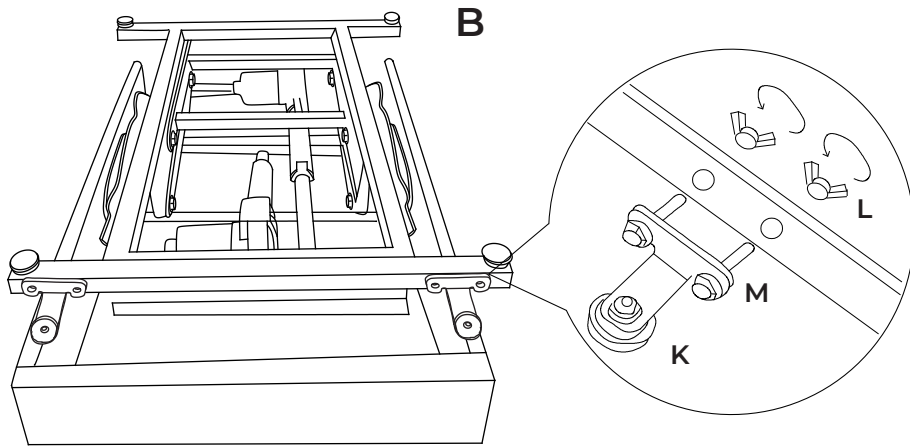
Step 1

Locate the Lumbar Pillow (E) at the back of the Seat (B).
 Locate the hardware pack at the bottom of the Seat (B). Cut the plastic ties to remove the hardware pack (Includes: Remote Control for Lifting & Reclining (F), Remote Control for Massage (G), Power Adapter (H), Power Cord for Massage (I), Power Cord for Adapter (J), 2 pieces of Feet (K), 4 pieces of Butterfly Nuts (L), 4 pieces of Bolts (M)).



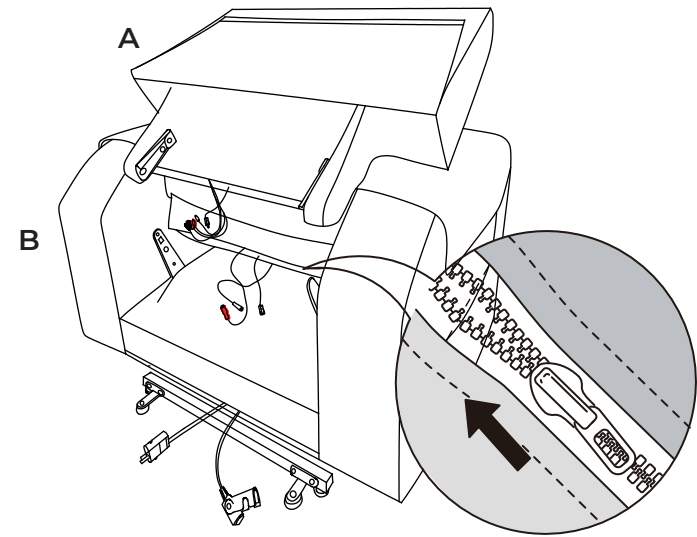
Step 2

Locate the four holes at the back of the Seat (B) and attach the Feet (K) using Bolts (M) and Butterfly Nuts (L). Fully tighten.



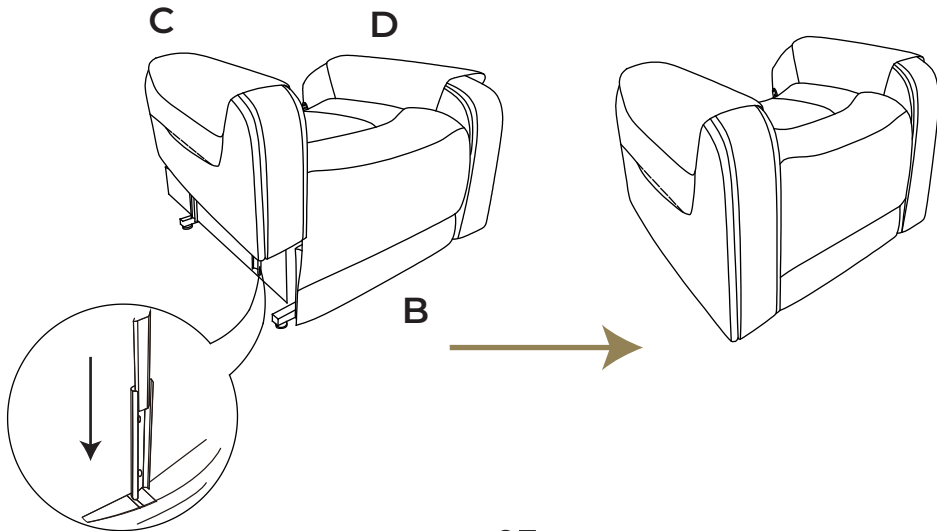
Step 4

Zip up the bottom of the Back (A) and the Seat (B) together.



Step 3

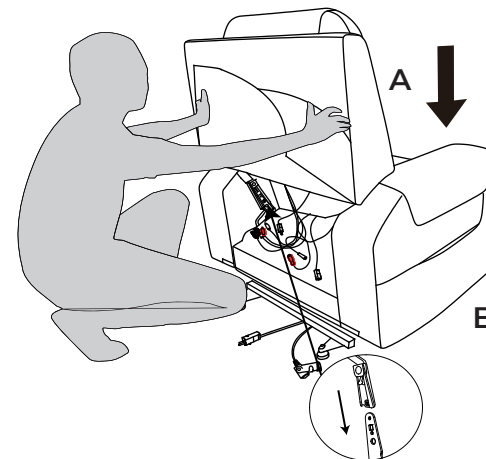
Slide the Left Armrest (C) and Right Armrest (D) into the Seat (B).



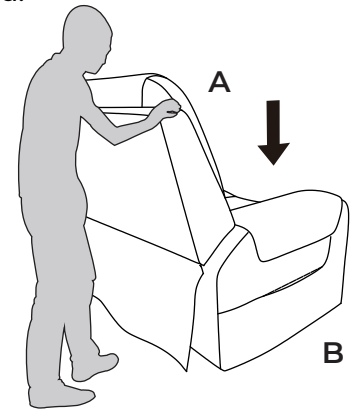
03

Step 5

Slide the Back (A) into the metallic quick connectors of the base.



Push down the Back (A) firmly until each side is locked into place and an audible "click" is heard.



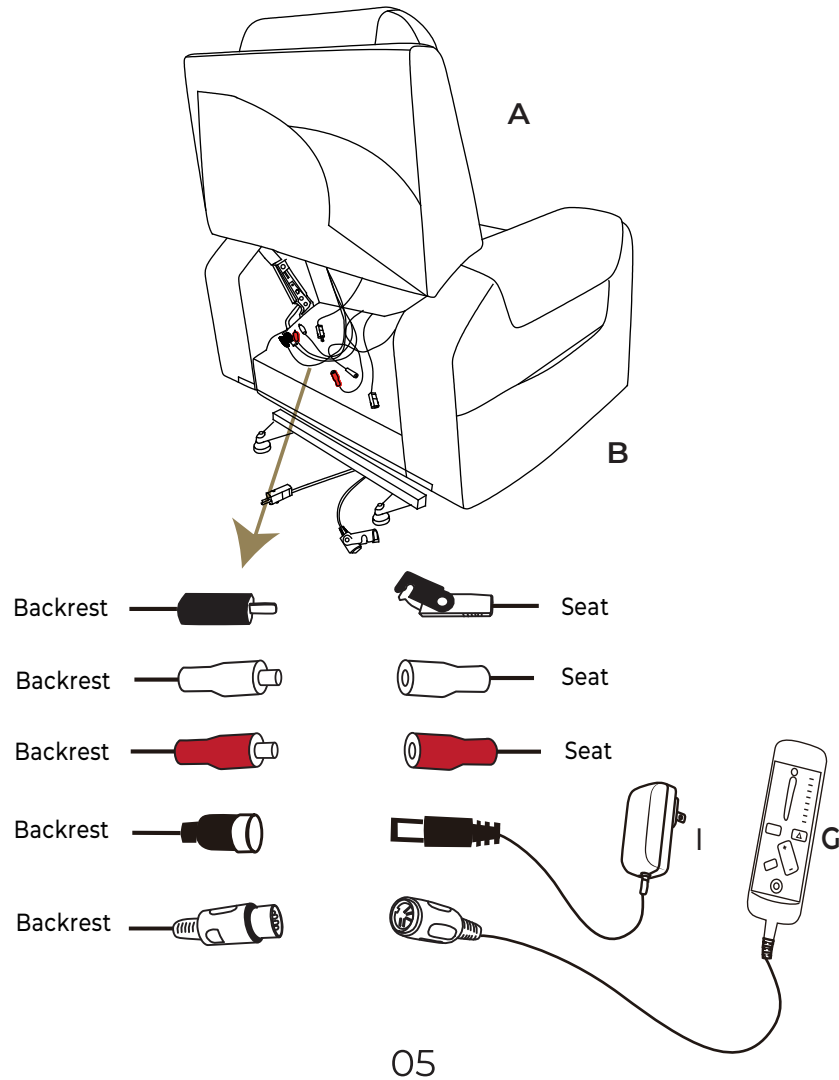
04

Step 6

Connect the black, white and red wires from the Backrest (A) to the corresponding wires on the Seat (B). Make sure the corresponding colors match (black with black, white with white and red with red).

Locate the Remote Control for Massage (G) and connect to its corresponding receiver on the Backrest (A). Make sure the corresponding sizes match.

Locate the Power Cord for Massage (I) and connect to its corresponding receiver on the Backrest (A). Make sure the corresponding sizes match.

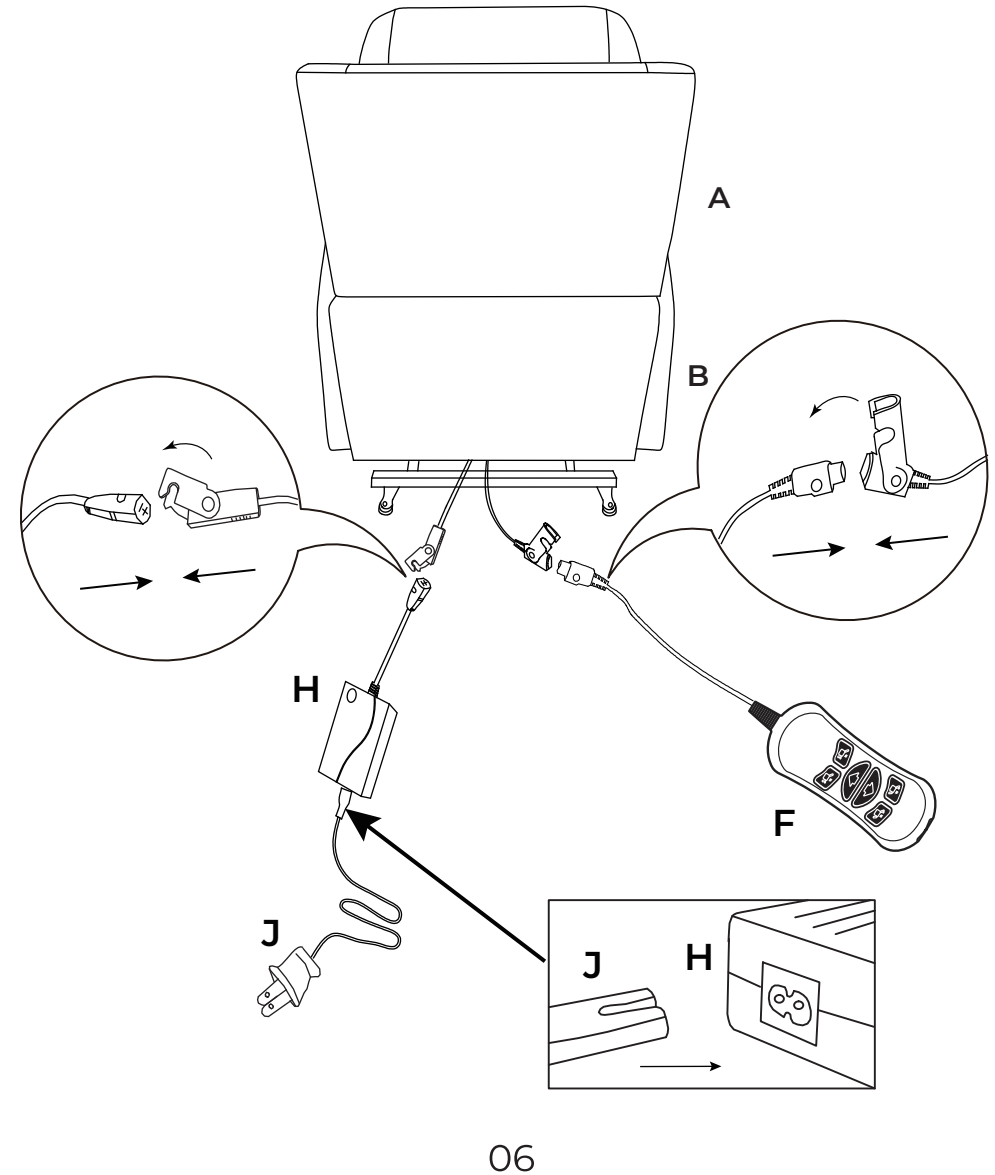


Step 7

Locate the Remote Control for Lifting & Reclining (F) and connect to its corresponding receiver on the base of the seat.

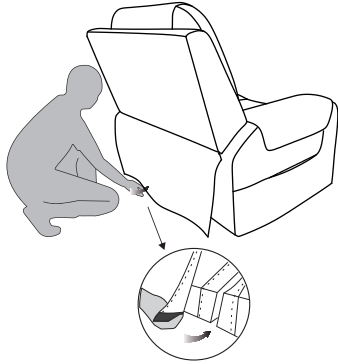
Locate the Power Adapter (H) and connect to its corresponding receiver on the base of the seat.

Connect one end of the Power Cord for Adapter (J) into the Power Adapter (H).



Step 8

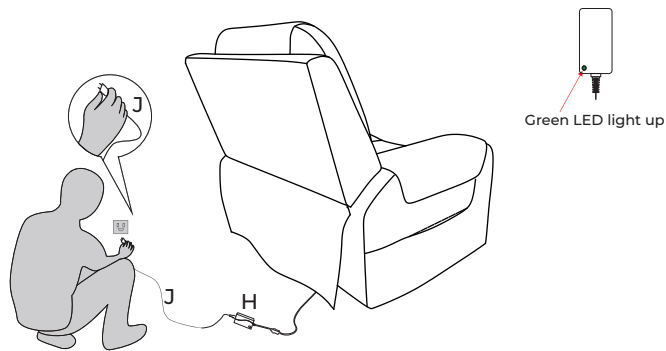
Attach the back cover to the bottom of the seat with Velcro.



Step 9

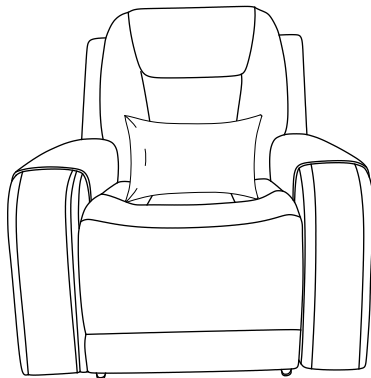
Plug Power Cord for Adapter (J) into the power outlet.

Note: After all the connections are made, the green LED will be lit up.



Step 10

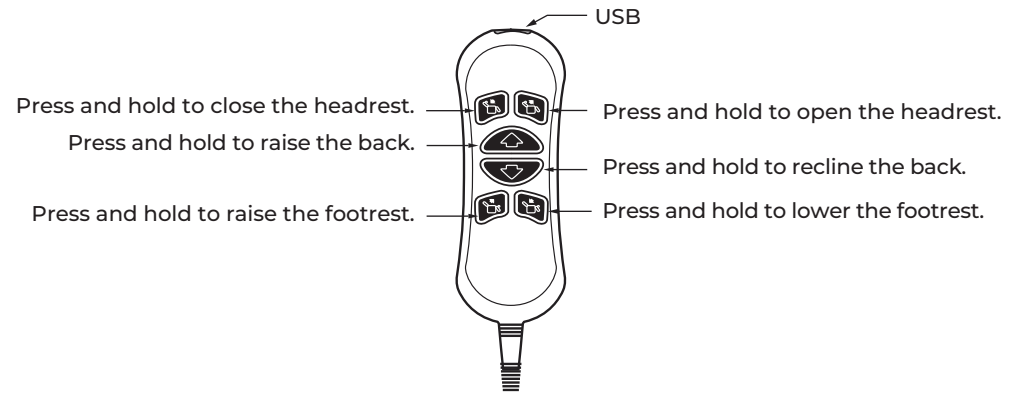
Place the Lumbar Pillow (E) on the seat and enjoy your new piece of furniture.



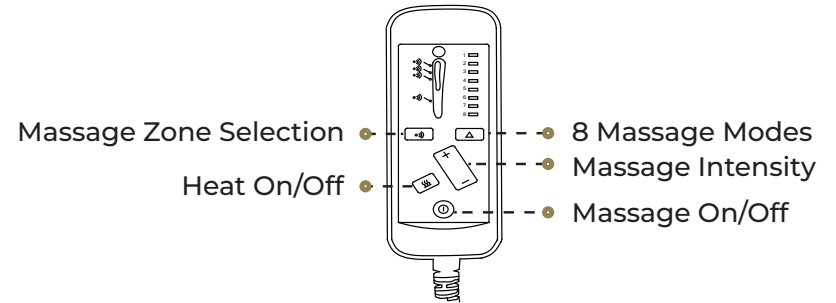
07

How to Operate

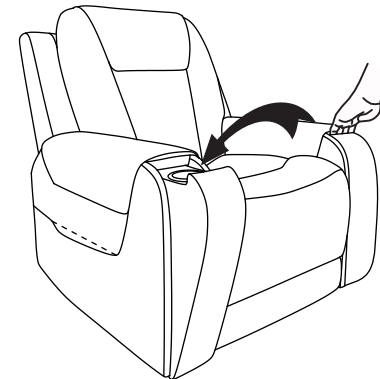
Remote Control for Lifting & Reclining



Remote Control for Massage



Pull out to reveal the cupholders.



08