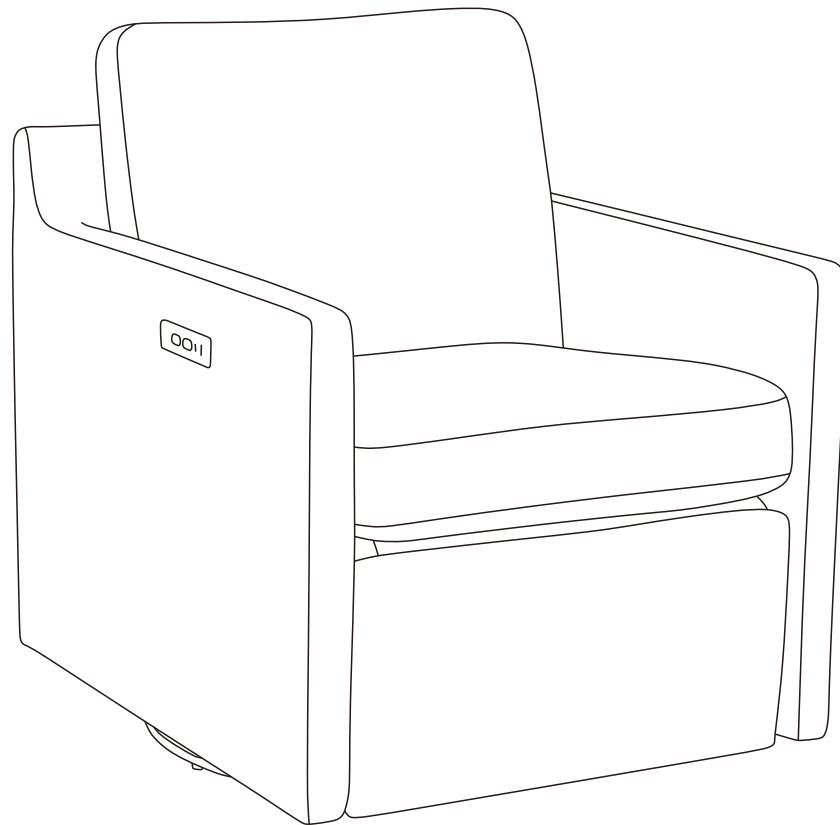


# Power Recliner Armchair

## Assembly Manual

### ME7A6058B



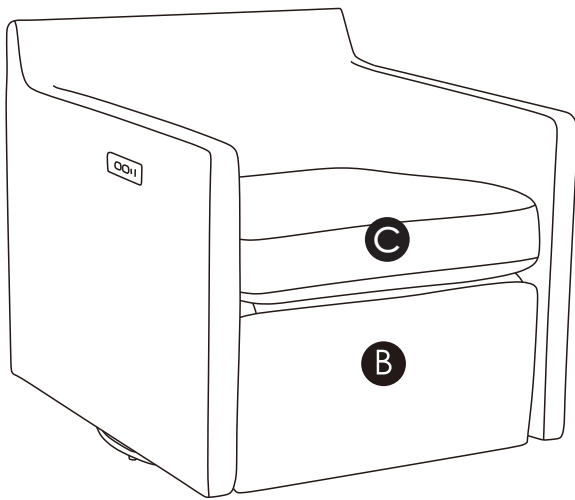
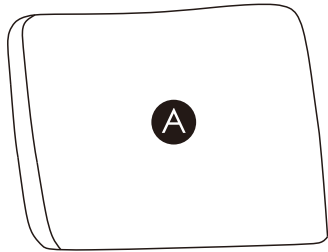
### CAUTION

THIS ASSEMBLY MANUAL CONTAINS IMPORTANT SAFETY INFORMATION.

PLEASE READ AND KEEP FOR FUTURE REFERENCE.

---

## COMPONENTS

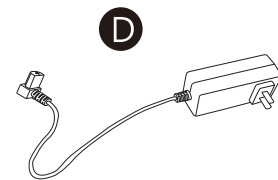


**A** Chair Back Cushion  
1X

**B** Chair Base  
1X

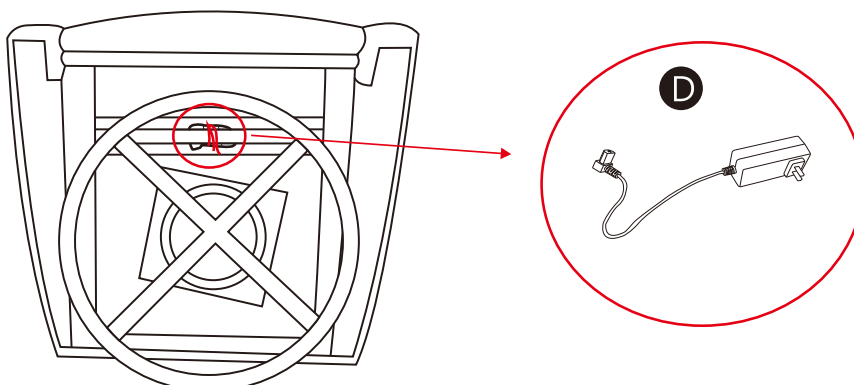
**C** Chair Seat Cushion  
1X

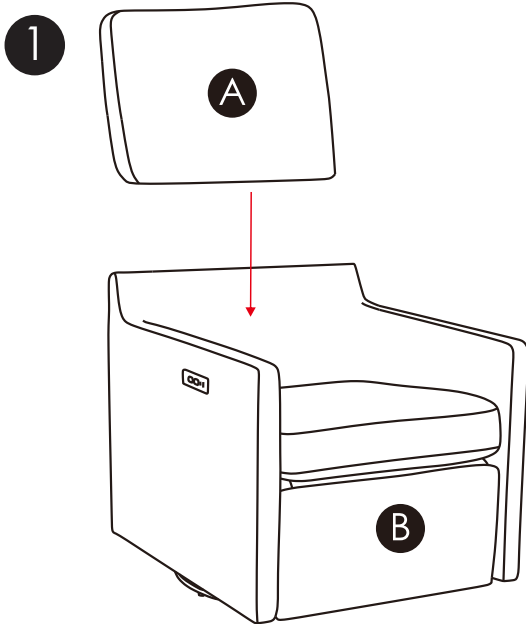
**D** Power Cord  
1X



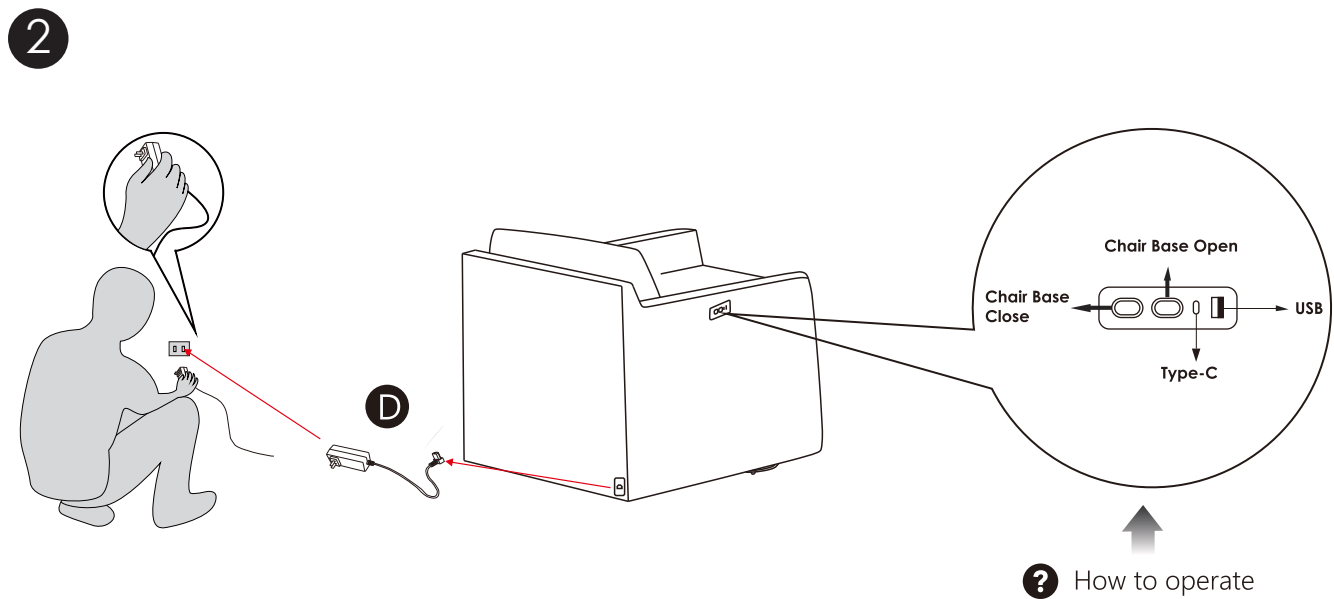
Before you begin:

Locate the Power Cord (D) at the bottom of the chair.





Fluff the Back Cushion (A), and put it on the chair.

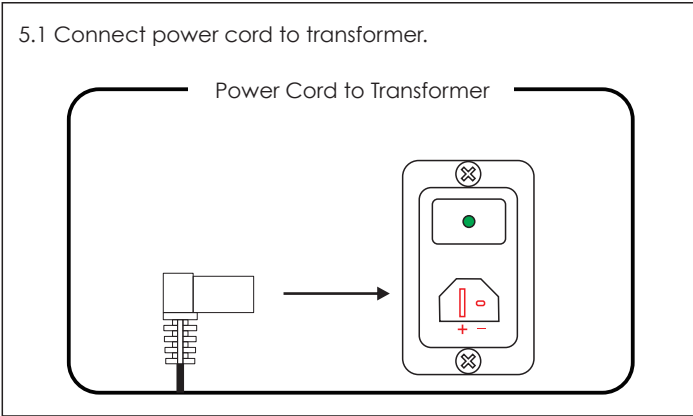


Connect one end of the Power Cord (D) into the DC adaptor located at the back corner of the seat. Plug the other end of Power Cord (D) into the power outlet.

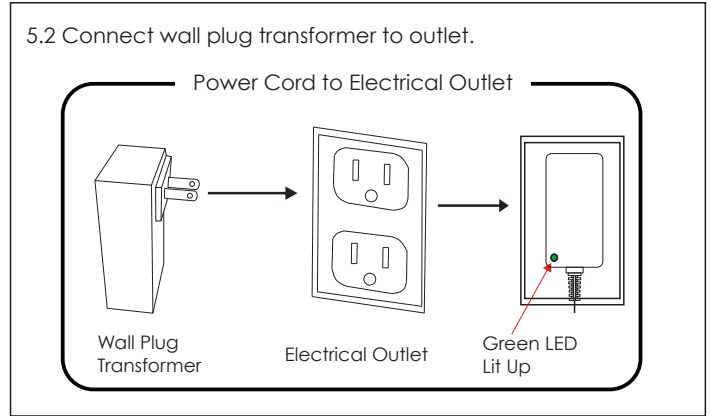
Note: After all the connections are made, the green LED will be lit up.

## POWER CONNECTIONS

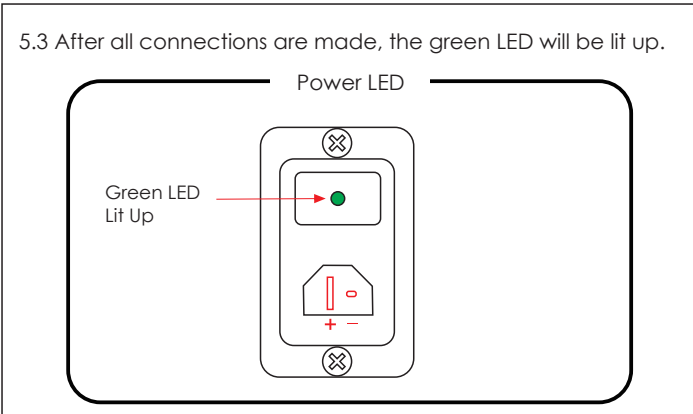
5.1 Connect power cord to transformer.



5.2 Connect wall plug transformer to outlet.



5.3 After all connections are made, the green LED will be lit up.



## PRODUCT WARRANTY

- 1-year limited on cover against splitting, peeling, and/or tearing.
- 1-year limited on internal and external frame structure.
- 1-year limited on cushioning material, seat springs and mechanism.

## CARE & MAINTENANCE

Blot and spot clean immediately with a clean, absorbent cloth and a water-free stain remover. For stubborn stains, work with a professional upholstery cleaning service.

If at any step you need a helping hand, we're always here for you. You can email us, or hop into a live chat on our website - whatever method is convenient for you.

 [support@chitaliving.com](mailto:support@chitaliving.com)