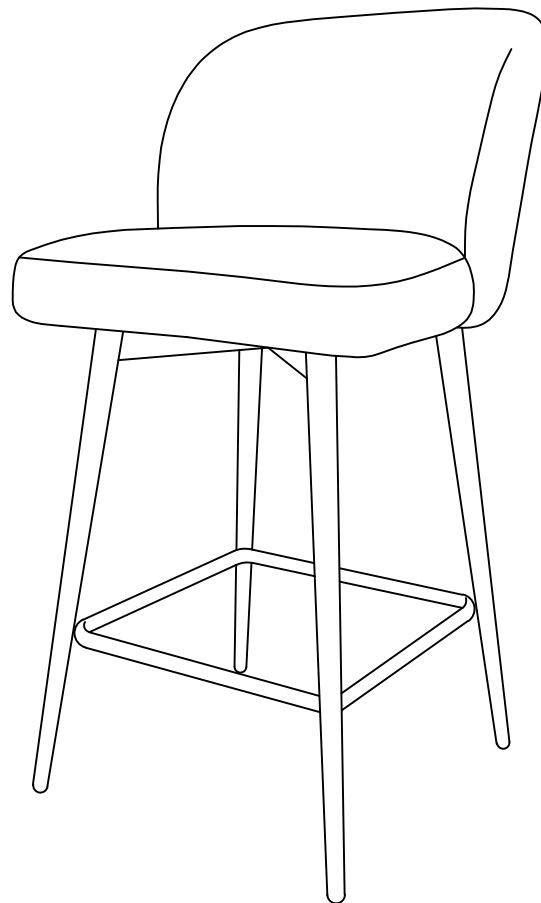
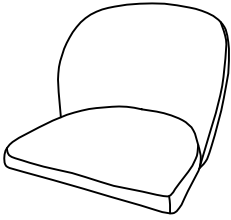
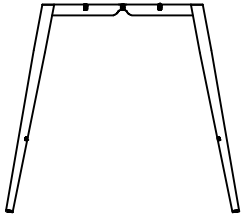
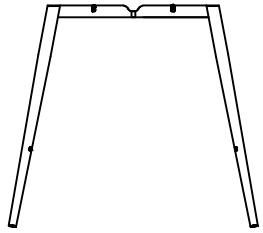
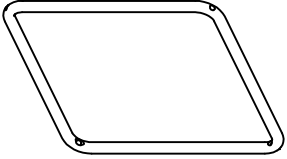
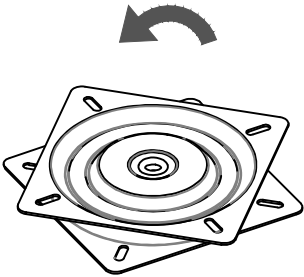
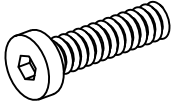
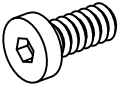

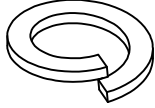
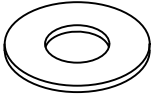
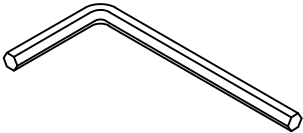


# Assembly Manual for KF-Y2001 Counter & Bar Height Swivel Stool



 **CAUTION**

THIS ASSEMBLY MANUAL CONTAINS IMPORTANT SAFETY INFORMATION.  
PLEASE READ AND KEEP FOR FUTURE REFERENCE.

|   |   |   |
|---|---|---|
| <p>Ax1</p>                     | <p>Bx1</p>                     | <p>Cx1</p>                   |
| <p>Dx1</p>                     | <p>Ex1</p>                    | <p>Fx5</p>  <p>M6 x 30mm</p> |
| <p>Gx4</p>  <p>M6 x 20mm</p> | <p>Hx4</p>  <p>M6 x 25mm</p> | <p>Ix9</p>  <p>M6</p>      |
| <p>Jx9</p>  <p>M6</p>        | <p>Kx1</p>  <p>4#</p>        |   |

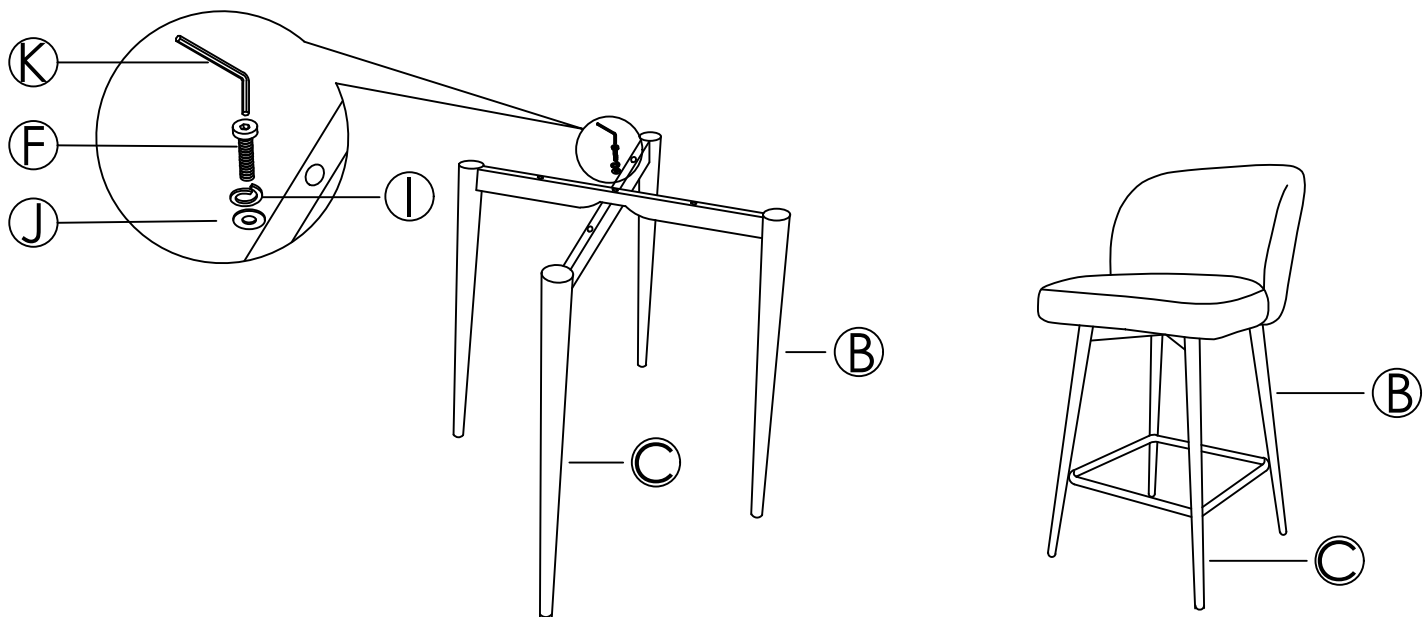
Please read through the instructions below to familiarize yourself with the parts and steps before assembly.

**Note: Do NOT use power tools for assembly.**

## ASSEMBLY INSTRUCTIONS

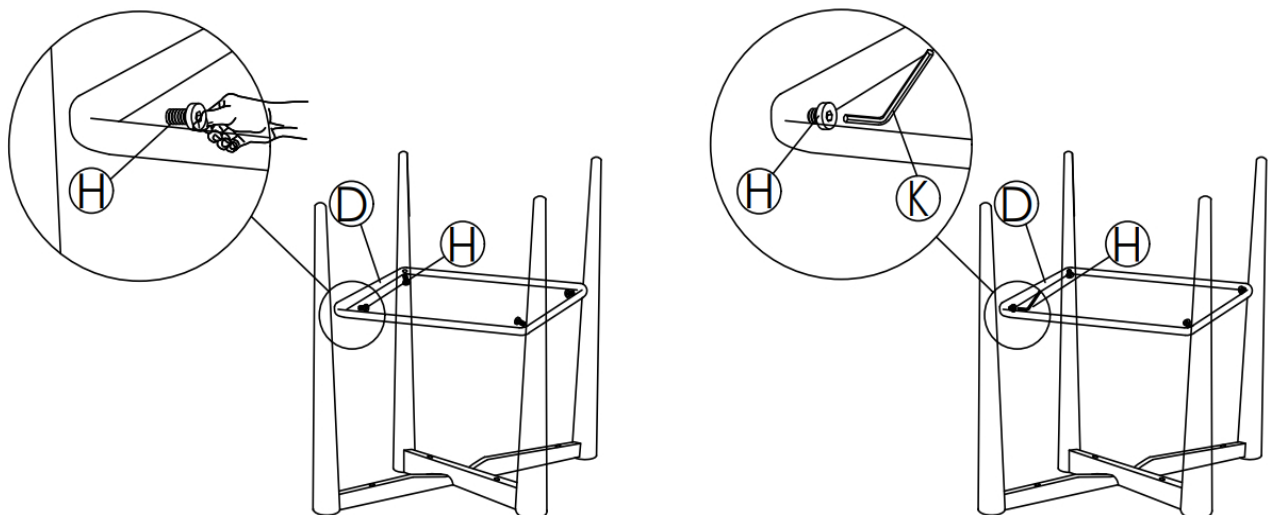
- ① Unpack and place seat (A), legs (B&C), foot rest (D) and swivel plate (E) on a clean surface.  
Attach leg (B) to leg (C), using longest bolt (F), lock washer (I), flat washer (J) and allen wrench (K).

**Note: Do not fully tighten yet.**

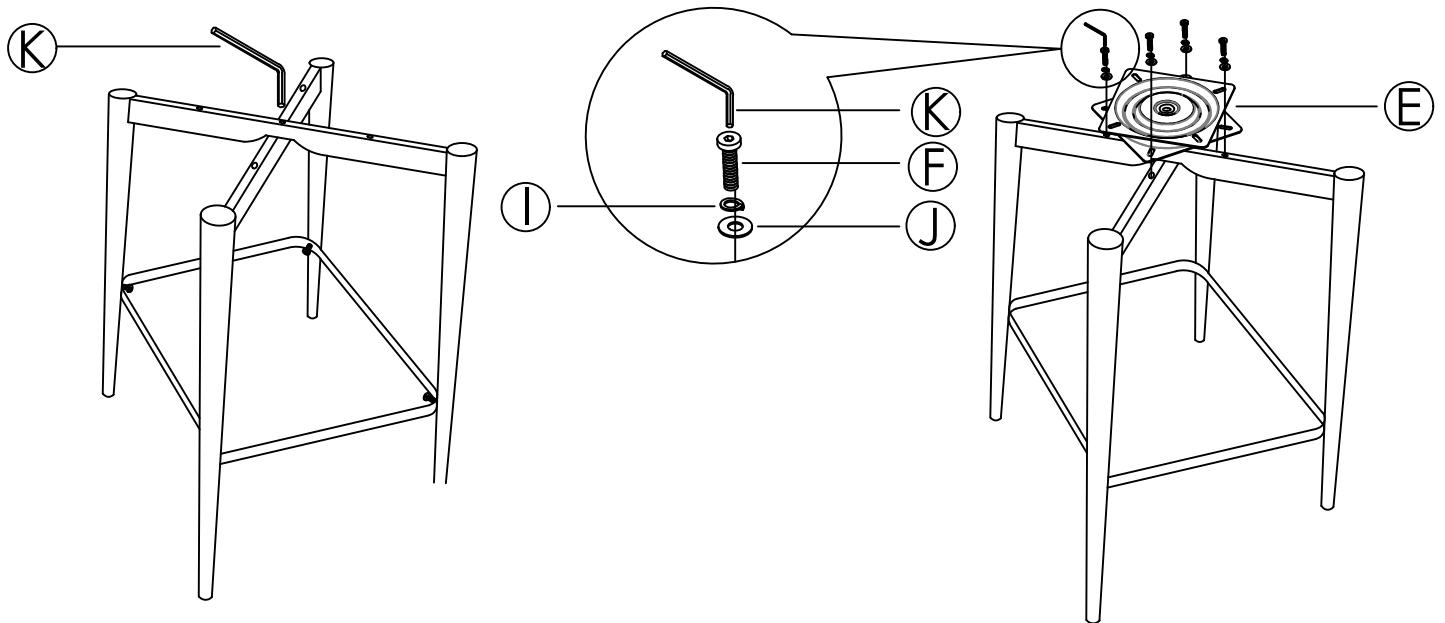


- ② **Loosely** attach the bolts (H) one by one and **keep them loose. Do not fully tighten.** After **loosely** attach the first bolt, move on to the diagonal bolt. After all 4 bolts are attached, use allen wrench (K) to tighten.

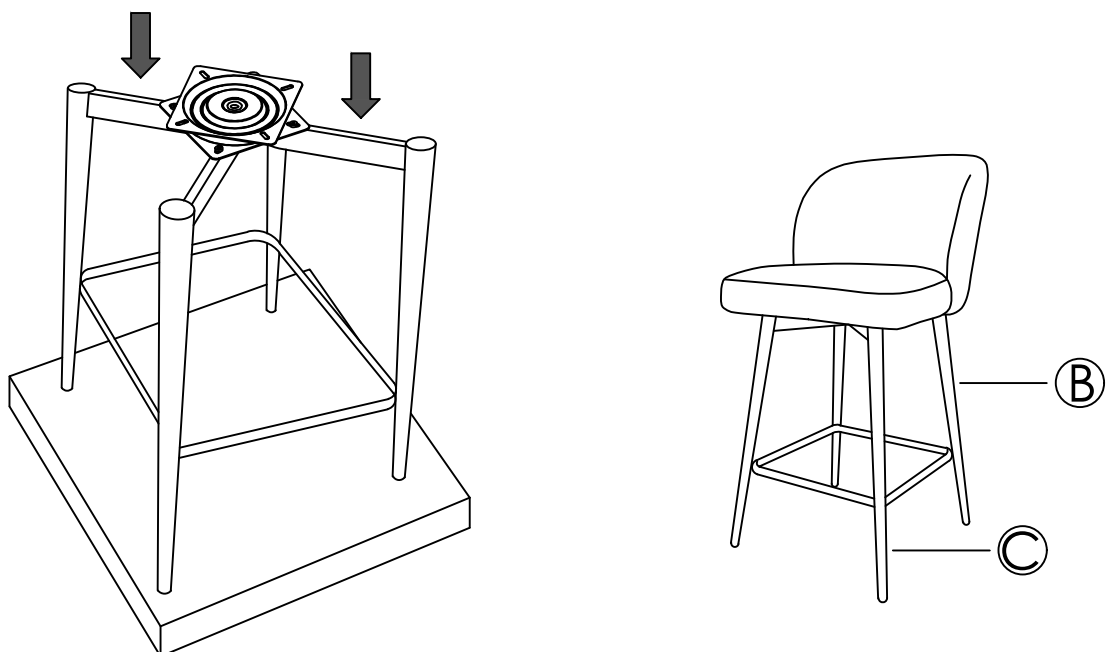
**Note: Do NOT use power tools for assembly.**



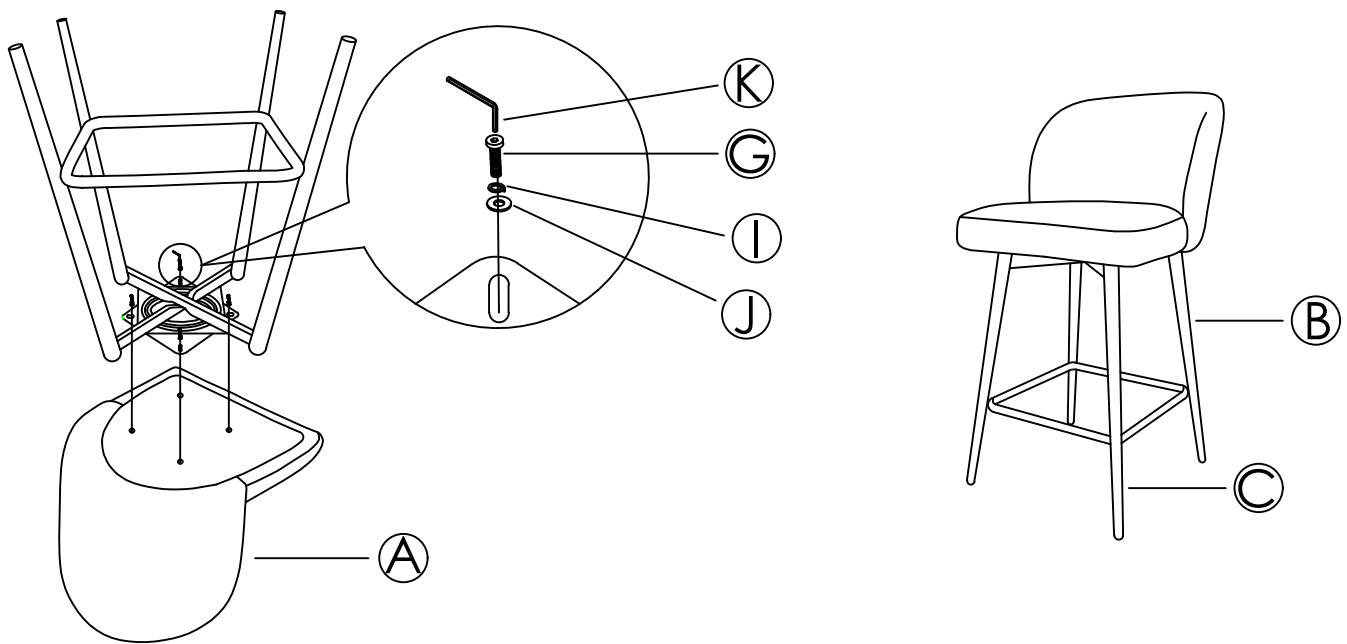
- ③ Fully tighten the longest bolt (F) in step 1 with allen wrench (K). Then attach swivel plate (E) to assembled legs in step 2, using longest bolts (F), lock washers (I), flat washers (J) and allen wrench (K). **Do not fully tighten yet.**



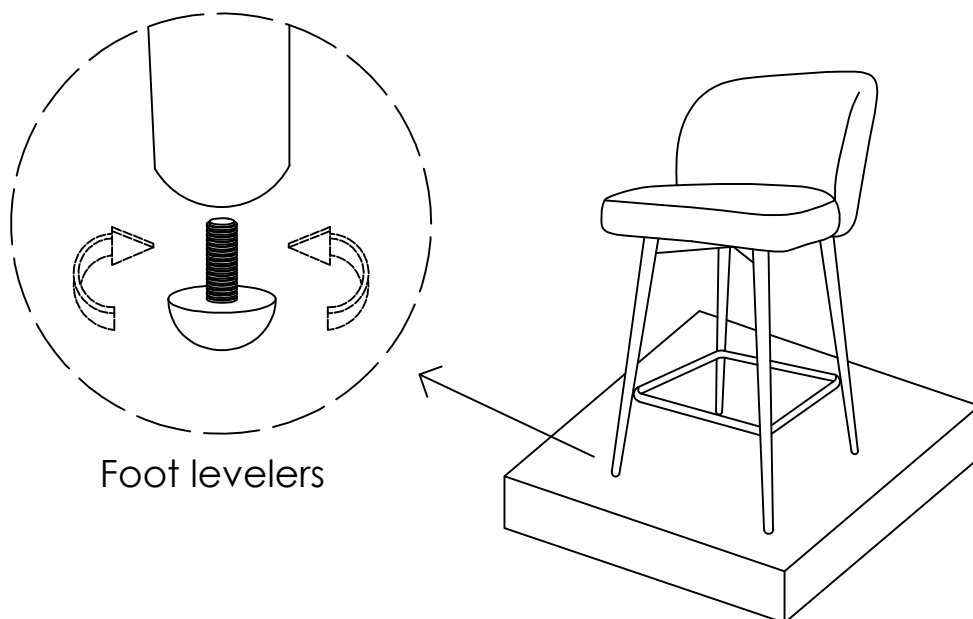
- ④ Put assembled legs in step 3 on a flat surface. Push legs up or down as necessary to level. Once level, tighten all bolts.



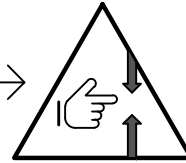
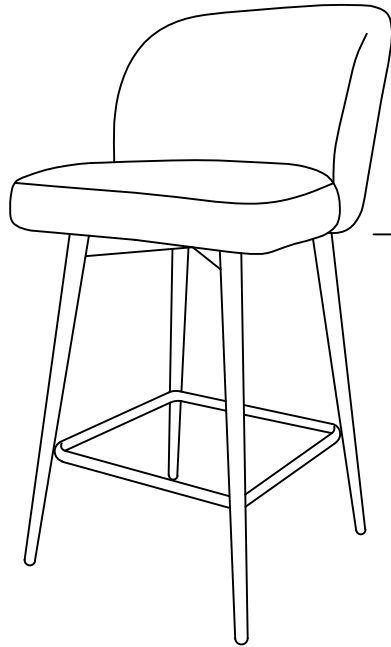
- ⑤ Turn assembled legs in step 3 upside down, and attach them to seat (A), using shortest bolts (G), lock washers(I), flat washers(J) and allen wrench(K).  
**Note: Tighten all bolts.**



- ⑥ Turn assembled chair upright and place on a flat surface.  
**Note: Each leg has an adjustable foot leveler to help level your chair.**



⑦ Assembly complete. Enjoy.



CAUTION: PINCH POINT.  
Please keep hands clear during swivel.