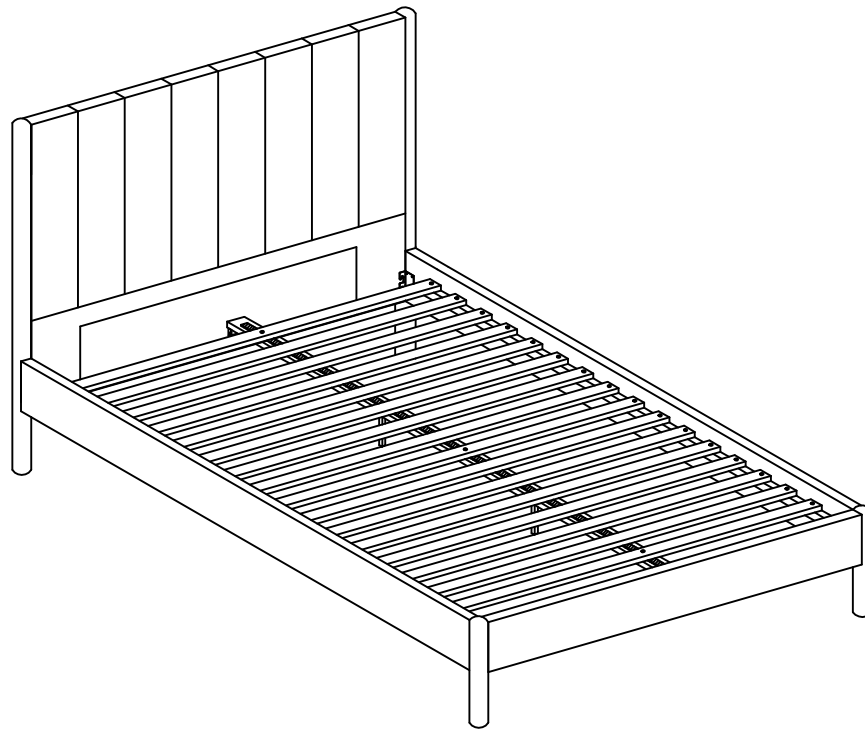


QUEEN BED

Assembly Manual

KJW.B002



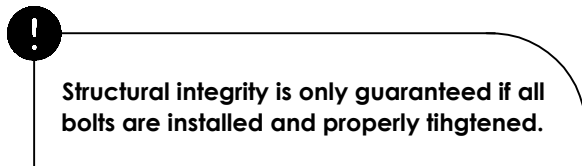
 **CAUTION**

THIS ASSEMBLY MANUAL CONTAINS IMPORTANT SAFETY INFORMATION.
PLEASE READ AND KEEP FOR FUTURE REFERENCE.

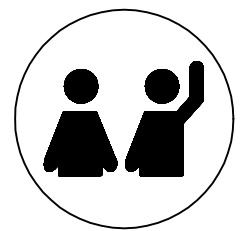
ASSEMBLY INSTRUCTIONS

Read these instructions carefully and keep for future reference. Refer to parts inventory for guidance, and ensure you have all pieces before starting.

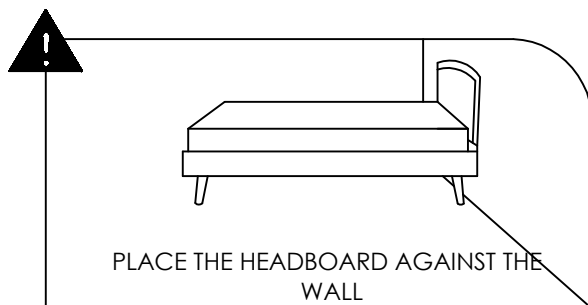
When assembling, place all parts on a soft, clean, and flat surface such as a carpet to prevent scratches.



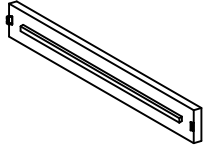


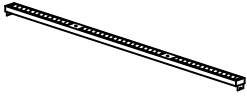


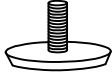
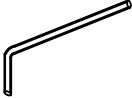
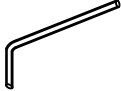




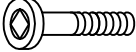
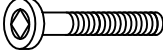
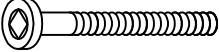
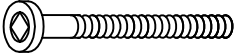
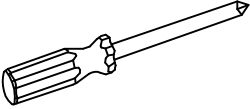


TIME



2 OF PEOPLE

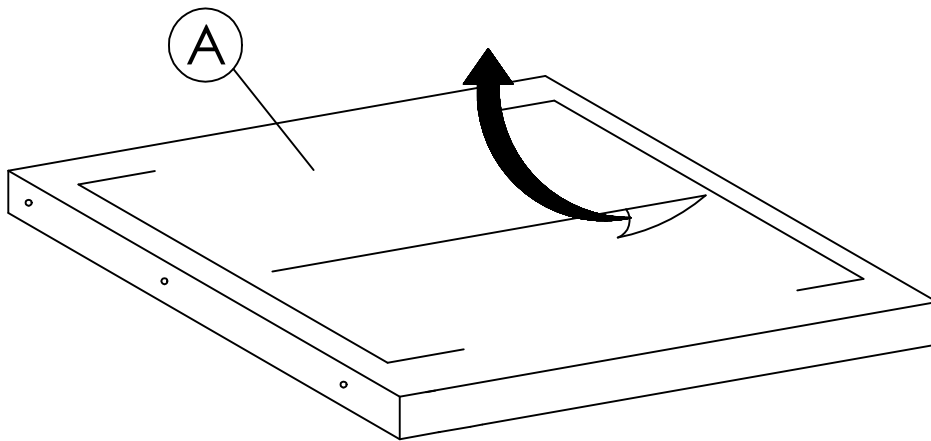


<p>A x 1</p>  <p>Headboard</p>	<p>B x 1</p>  <p>Footboard</p>	<p>C x 2</p>  <p>Side Rail</p>
<p>D x 2</p>  <p>Headboard Legs</p>	<p>E x 2</p>  <p>Footboard Legs</p>	<p>F x 1</p>  <p>Center Rail</p>
<p>G x 2</p>  <p>Support Legs</p>	<p>H x 1</p>  <p>16 pcs Slat</p>	<p>I x 2</p>  <p>Big Adjuster</p>
<p>J x 1</p>  <p>M5 Allen Key</p>	<p>K x 1</p>  <p>M4 Allen Key</p>	<p>L x 2</p>  <p>CSK M4 x 25</p>
<p>M x 35</p>  <p>CSK M4 x 32</p>	<p>N x 10</p>  <p>M6 Spring Washer</p>	<p>O x 10</p>  <p>M6 Flat Washer</p>
<p>P x 8</p>  <p>JCBB M8 x 20</p>	<p>Q x 2</p>  <p>JCBB M8 x 40</p>	<p>R x 6</p>  <p>JCBC M6 x 60</p>
<p>S x 4</p>  <p>JCBC M6 x 70</p>	<p>No Included</p>  <p>Phillips Head Screwdriver</p>	

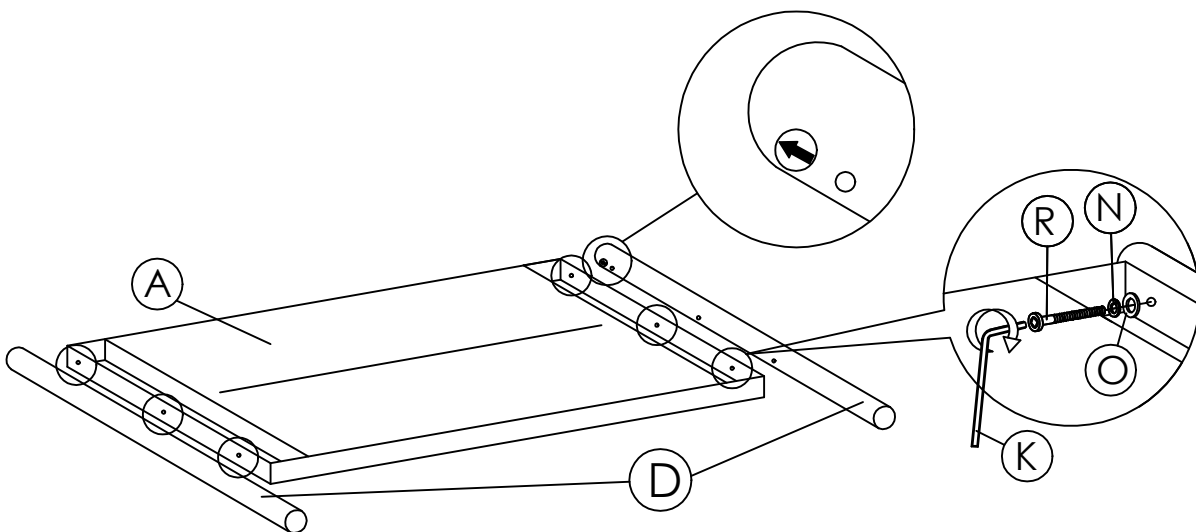
Please read through the instructions below to familiarize yourself with the parts and steps before assembly.

ASSEMBLY INSTRUCTIONS

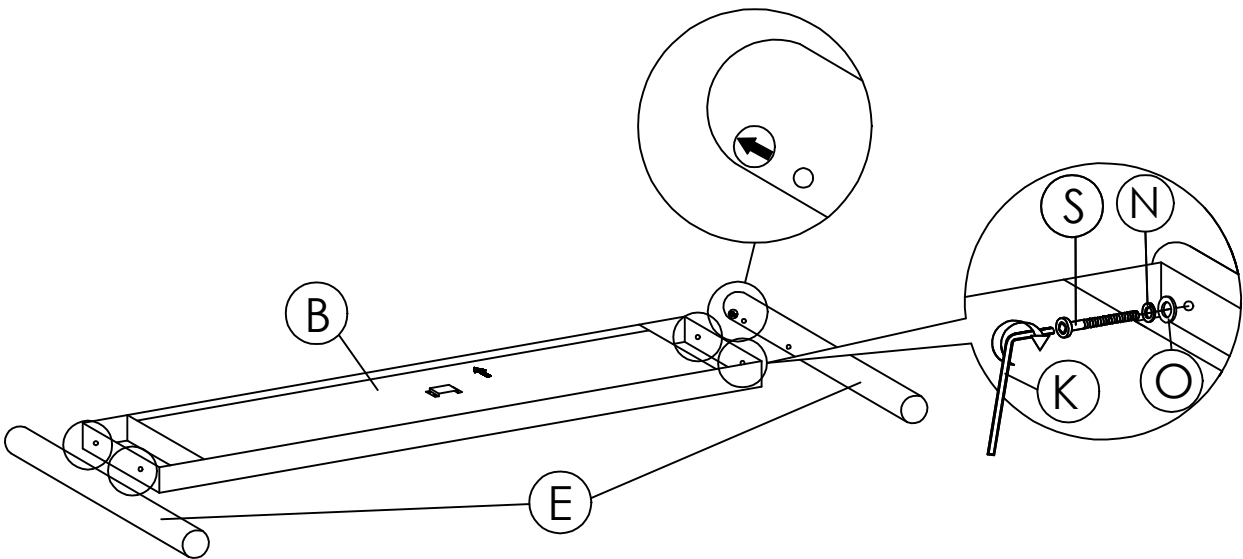
- 1 Unzip the black non-woven fabric on the back of headboard (A) and take out the headboard legs.



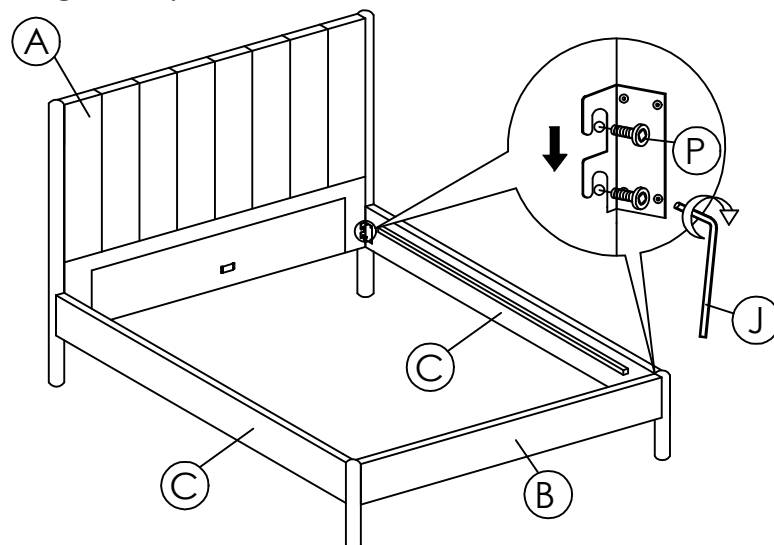
- 2 Attach Headboard Legs (D) to Headboard (A), using M6 Flat Washer (O), M6 Spring Washer (N), JCBC M6 x 60 (R), and M4 Allen Key (K). Tighten the legs.



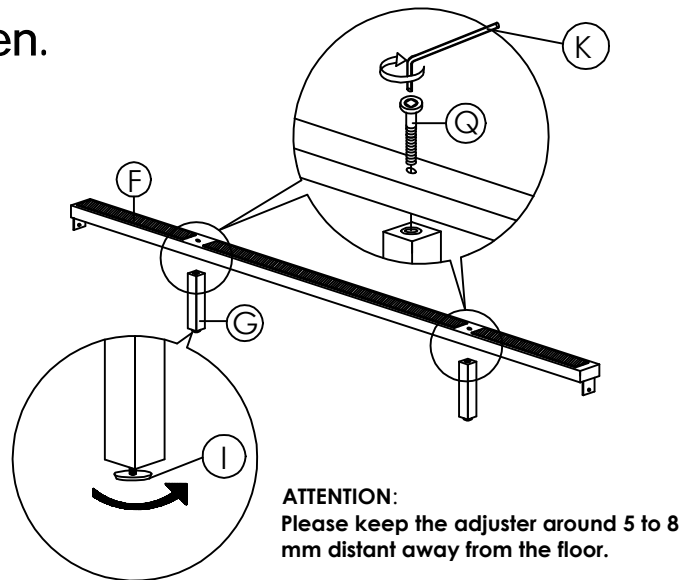
- 3** Attach Footboard Legs (E) to Footboard (B), using M6 Flat Washer (O), M6 Spring Washer (N), JCBC M6 x 70 (S), and M4 Allen Key (K). **Tighten the legs.**



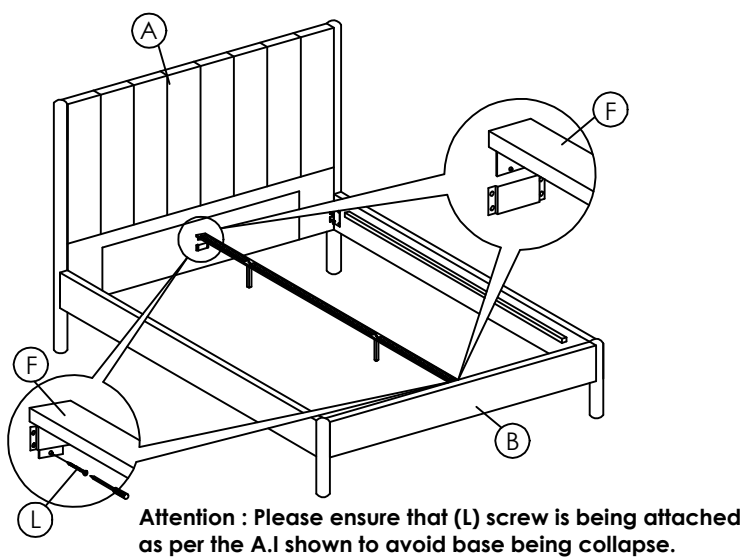
- 4** Attach Side Rail (C) to Footboard (B) and Headboard (A) by using JCBB M8 x 20 (P), and M5 Allen Key (J). **Do not tighten (P) completely until STEP 7.** Then, pushing the bracket down to fit it.



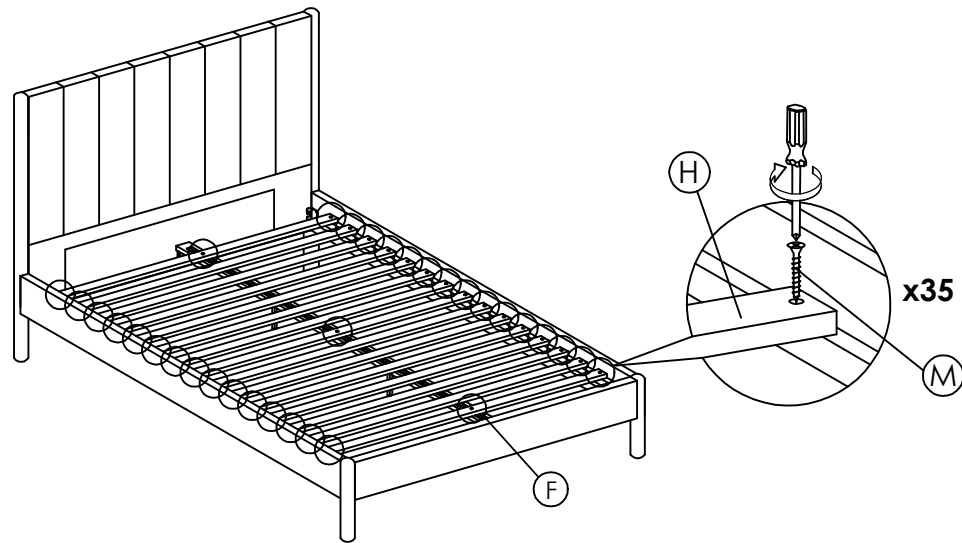
- 5** Attach the Support Legs (G) to the Center Rail (F) of the bed by using JCBB M8 x 40 (Q) and M4 Allen Key (K).
Fully tighten.



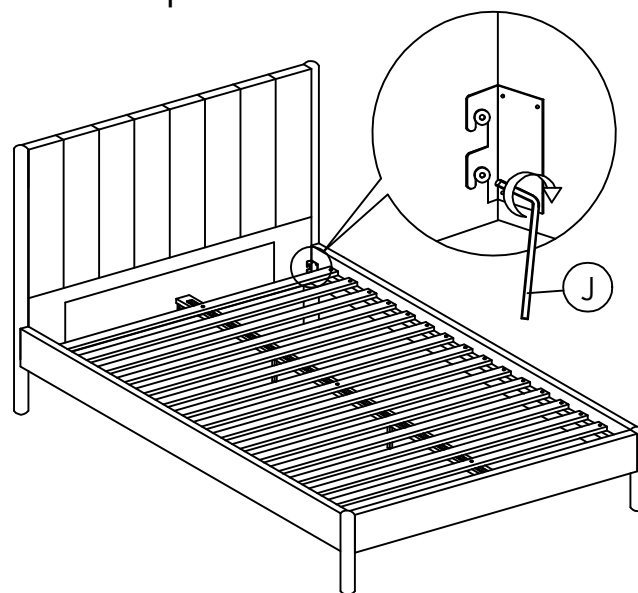
- 6** Slide the Center Rail (F) to the Headboard (A) and Footboard (B). **Tighten screws (L)** by using screw driver (not included) to the Headboard (A) and Footboard (B).



- 7** Affix the Slat (H) to the side rail support wood and the center rail (F). **Tighten CSK M4 x 32 (M)** by using screw driver (not included) to the side rail support wood and center rail (F).



- 8** Tighten all the 4 corner by using M5 Allen key (J). Assembly is Complete.



Design Exquisite Furniture For Your Home

PRODUCT WARRANTY

- 1-year limited on cover against splitting, peeling, and/or tearing.
- 1-year limited on internal and external frame structure.

Contact us:

We make all efforts to guarantee that the products you receive are in excellent condition. If there are any parts missing or damaged, the Customer Service Team will be happy to provide free replacements for you. We have professional warehouses where the current inventory of parts is enough so that they will arrive in your hands as fast as possible.

Assistance with assembly or product details is available; don't hesitate to get in touch with us to get priority service.

Our E-mail address: CS.furniture@outlook.com



[CS.furniture@outlook.com.](mailto:CS.furniture@outlook.com)