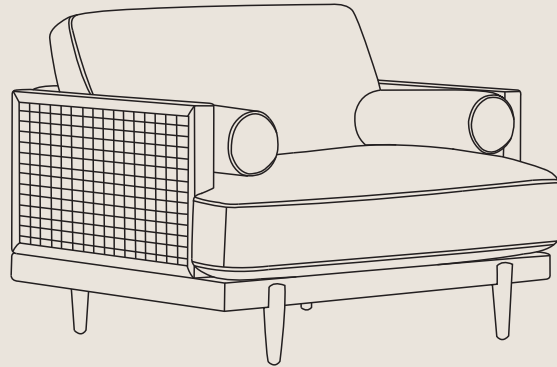


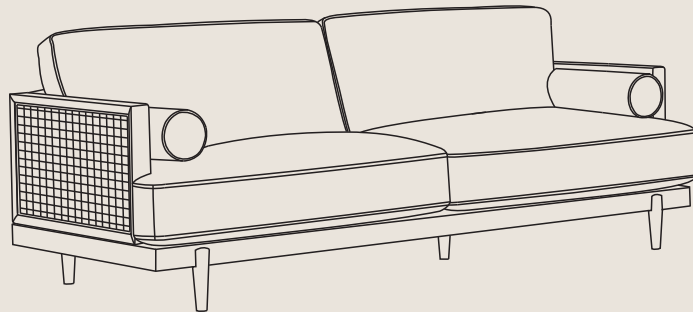
# Specification

Each piece comes with one box.

**Arm Chair**



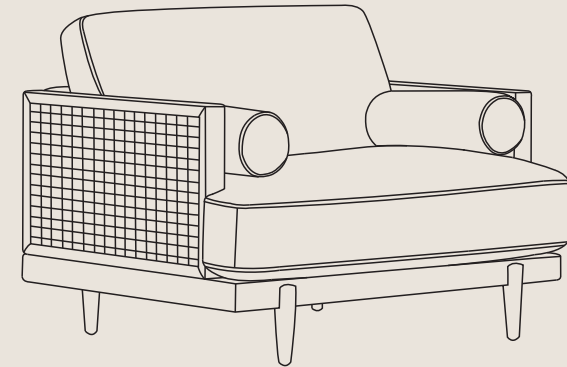
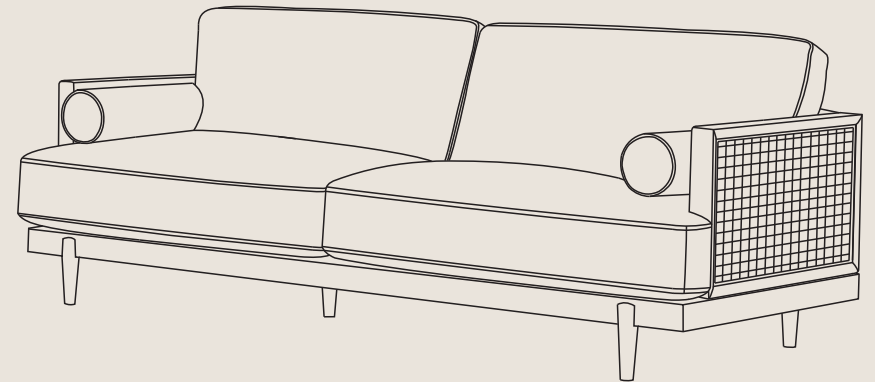
**Sofa**



# CHITA<sup>®</sup>

## Julane Sofa Collection

### Sofa & Arm Chair

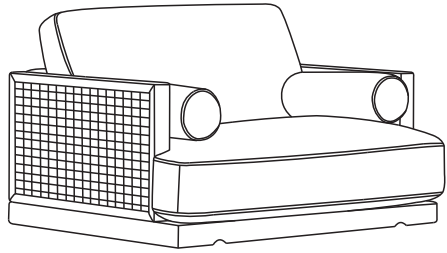


### CAUTION

THIS ASSEMBLY MANUAL CONTAINS IMPORTANT SAFETY INFORMATION.  
PLEASE READ AND KEEP FOR FUTURE REFERENCE.

# Arm Chair

## Components



Front Legs (X2) Back Legs (X2)



Allen Key 5# (X1)

 Power tools are NOT recommended

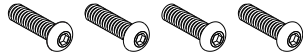
Flat Washers M8 (X4)



Spring Washers M8 (X4)

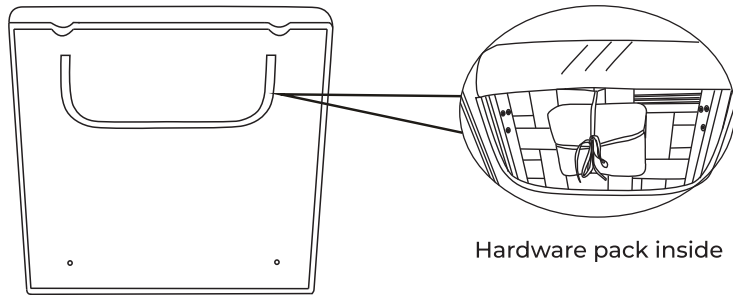


Bolts M8X45mm (X4)



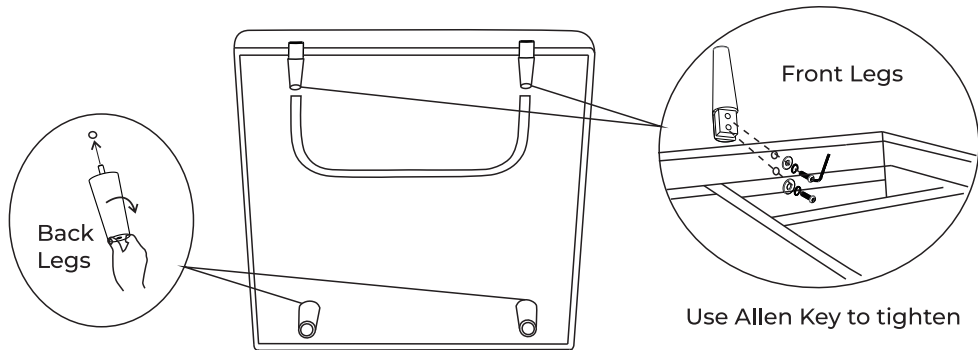
## Assembly Instructions

- 1 Remove the legs and hardware pack from the zippered compartment at the bottom of the chair.



Hardware pack inside

- 2 Attach Front Legs to the chair, using Bolts, Spring Washers, Flat Washers and Allen Key. Fully tighten. Rotate Back Legs firmly.

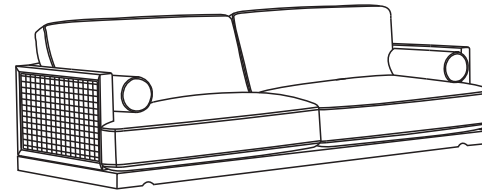


Use Allen Key to tighten

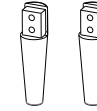
1

# Sofa

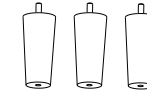
## Components



Front Legs (X2)



Back Legs (X2) + Middle Leg (X1)



Allen Key 5# (x1)

 Power tools are NOT recommended

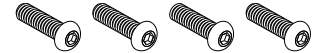
Flat Washers M8 (X4)



Spring Washers M8 (X4)

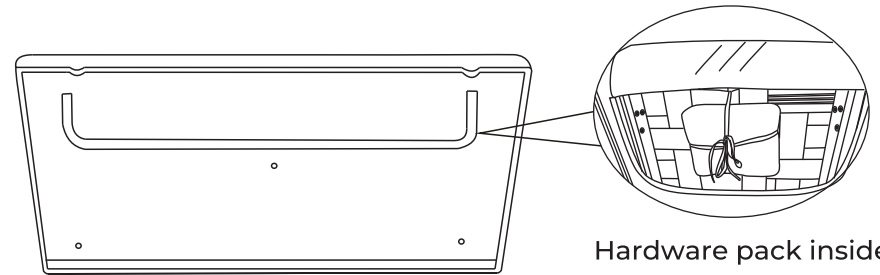


Bolts M8X45mm (X4)



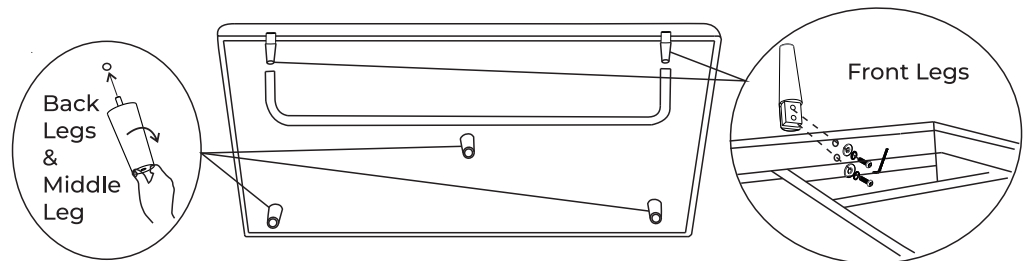
## Assembly Instructions

- 1 Remove the legs and hardware pack from the zippered compartment at the bottom of the sofa.



Hardware pack inside

- 2 Attach Front Legs to the sofa, using Bolts, Spring Washers, Flat Washers and Allen Key. Fully tighten. Rotate the Back Legs and Middle Leg into the sofa firmly.



Use Allen Key to tighten

2