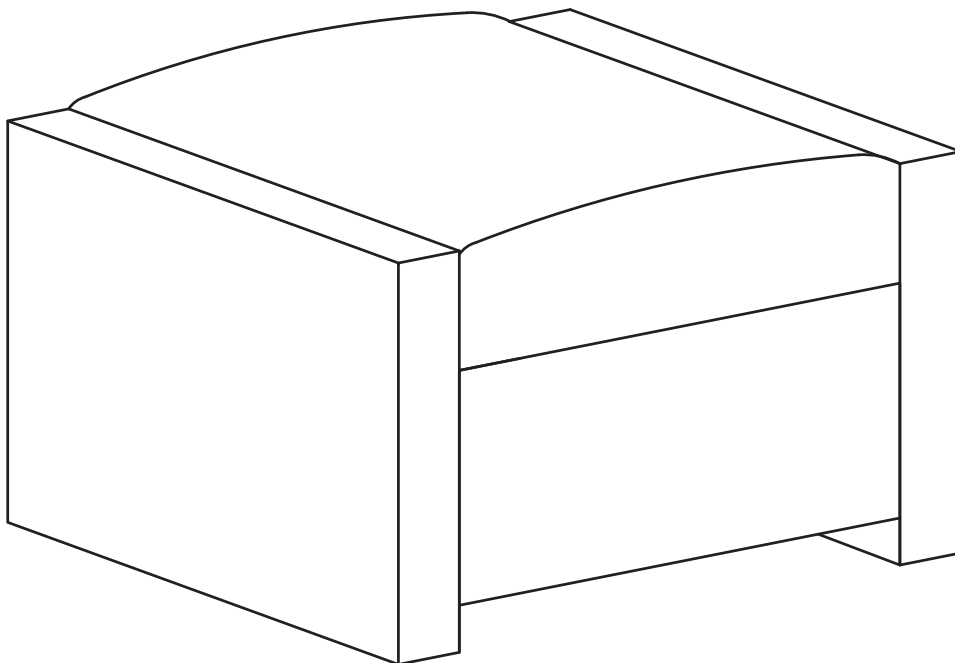


# P72954 Assembly Manual

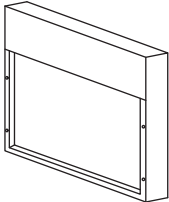
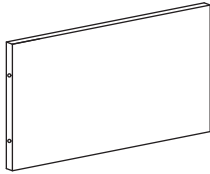
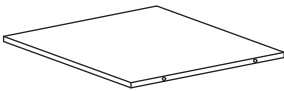
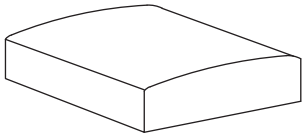
## Ottoman






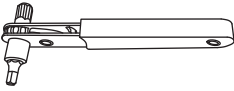
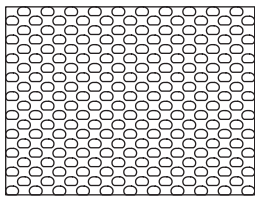
 **CAUTION**

THIS ASSEMBLY MANUAL CONTAINS IMPORTANT SAFETY INFORMATION.  
PLEASE READ AND KEEP FOR FUTURE REFERENCE.

## Components:

<p>①x2</p>  <p>Left &amp; Right Panel</p>	<p>②x2</p>  <p>Side Panel</p>
<p>③x1</p>  <p>Top Panel</p>	<p>④x1</p>  <p>Cushion</p>

## Hardware Pack:

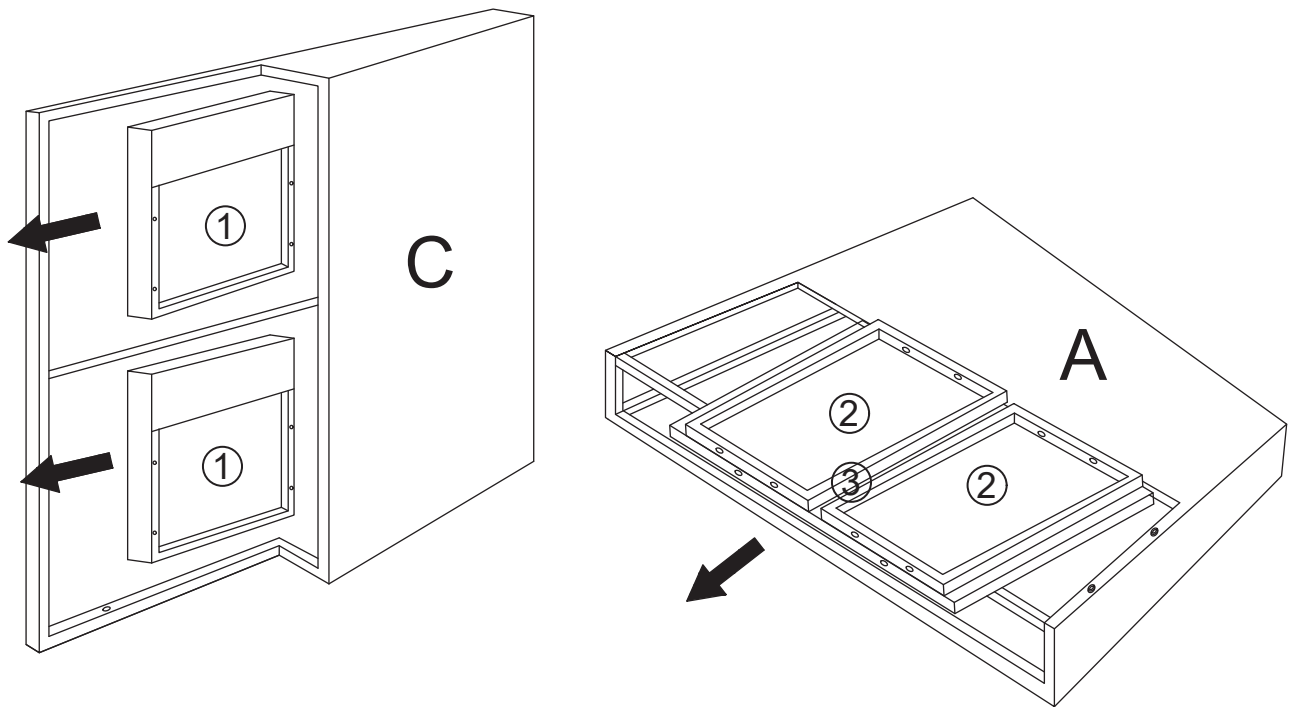
<p>H1x12</p>  <p>Bolts (M6 x 35mm)</p>	<p>H2x12</p>  <p>Flat Washers (M6)</p>	<p>H3x1</p>  <p>Flat Washers (M6)</p>
<p>H4x1</p>  <p>Ratchet Wrench (M6)</p>	<p>H5x1</p>  <p>Non-Slip Mat (12" x 12")</p>	

## Before you begin:

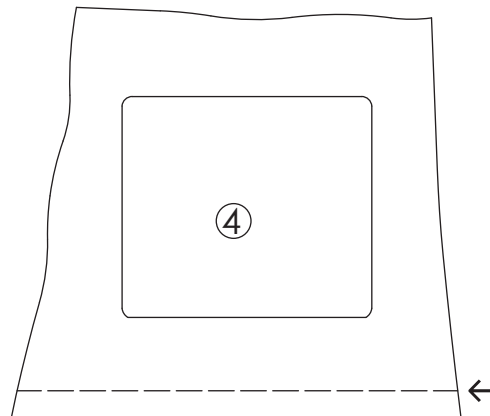
1. Check if you have received all parts using the diagram on this page. Do not start the assembly process until all parts are present. If you have not received all parts or received wrong or damaged ones, please contact our customer service and we will get back to you.
2. Do not discard any of the packaging until you are certain that you have all the necessary parts for the assembly.
- 3. Proper assembly of this item requires two (2) people.**

# Note:

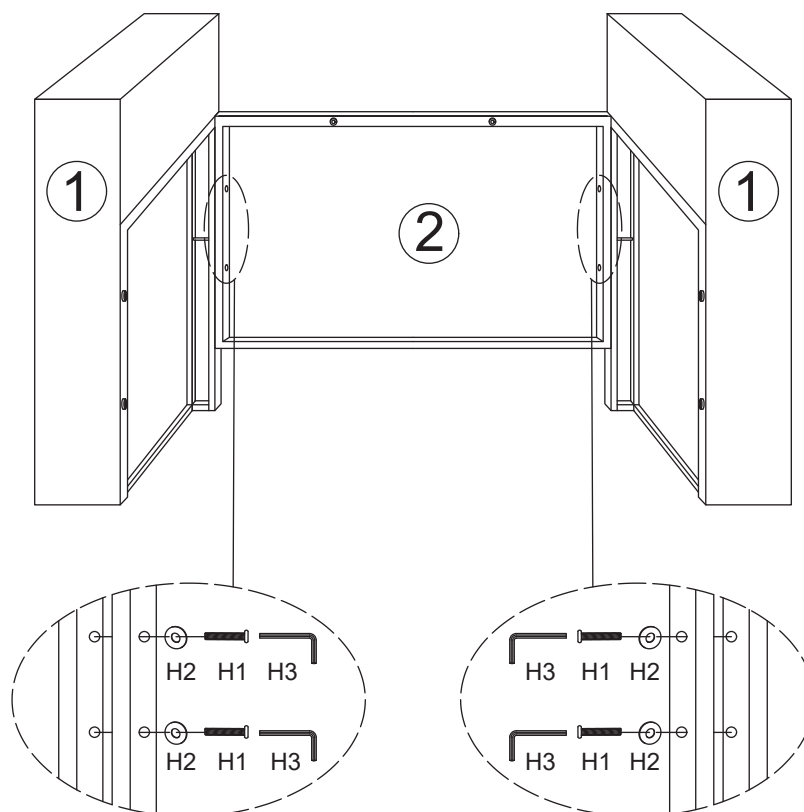
1. Please remove Ottoman's Left & Right Panel (①) from Chair's Back (C).
2. Please remove Ottoman's Side Panels (②) and Top Panel (③) from Chair's Right Arm (A).



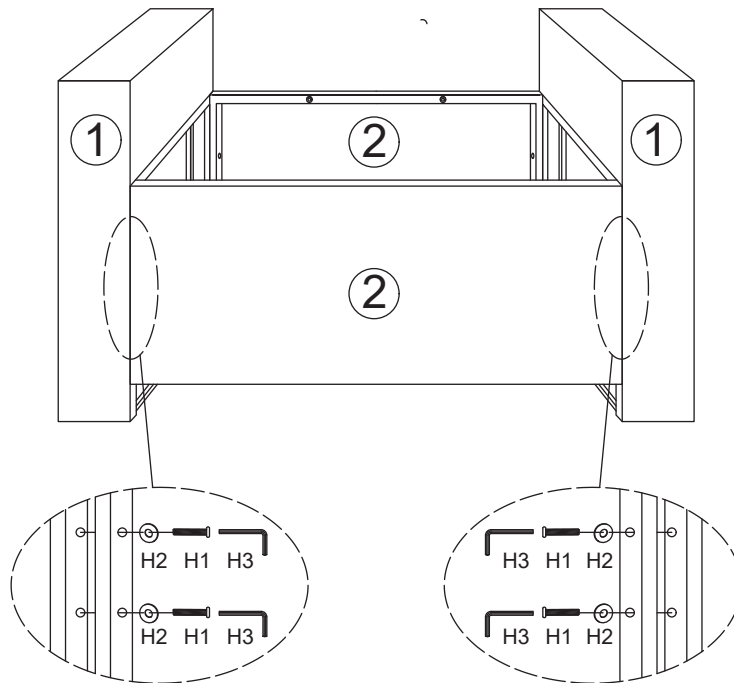
- 1** Open the vacuum-packed bags containing the Cushion (④).  
 Note: Do NOT use sharp tools such as knives or scissors to open the bag as it could potentially damage the cushion. Please use your hands to gently pull the bag apart. Please allow up to 48 hours for the cushion to return to its original thickness.



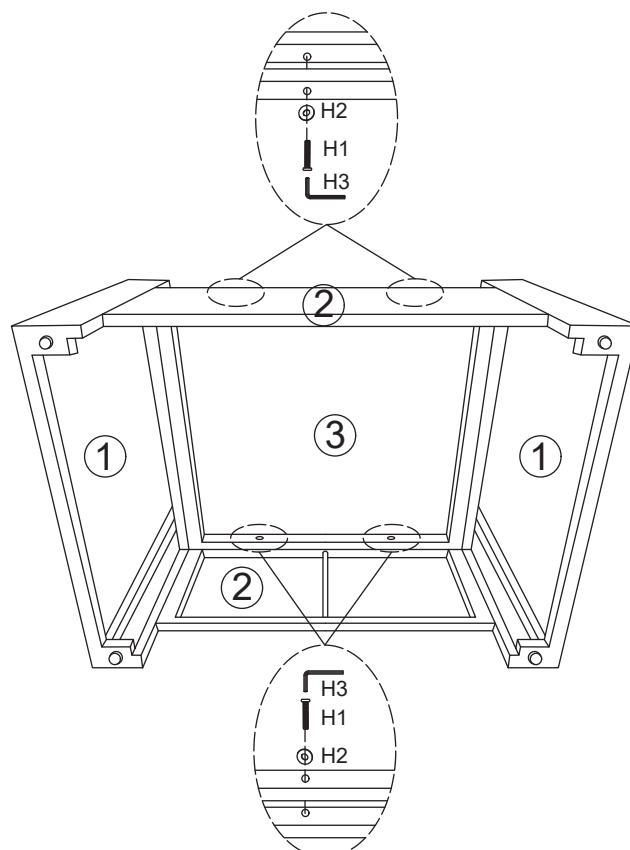
- 2** Attach one piece of Side Panel (②) to Left & Right Panel (①), using Bolts (H1), Flat Washers (H2), and Allen Wrench (H3). **Do NOT fully tighten yet.**



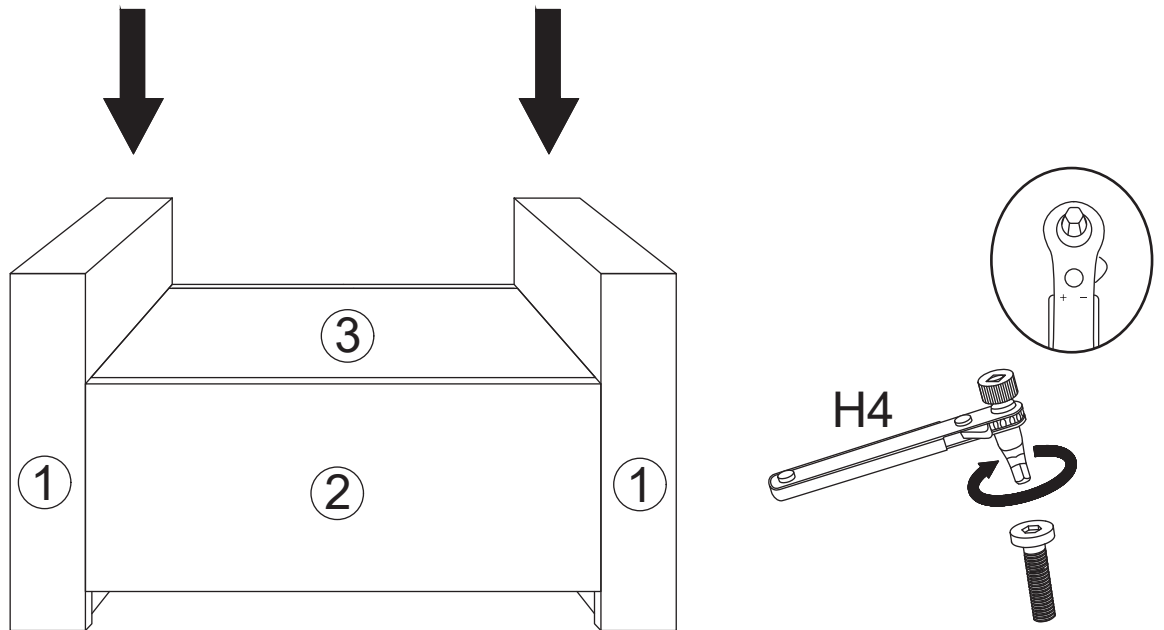
- 3** Attach the other piece of Side Panel (②) to Left & Right Panel (①), using Bolts (H1), Flat Washers (H2), and Allen Wrench (H3). **Do NOT fully tighten yet.**



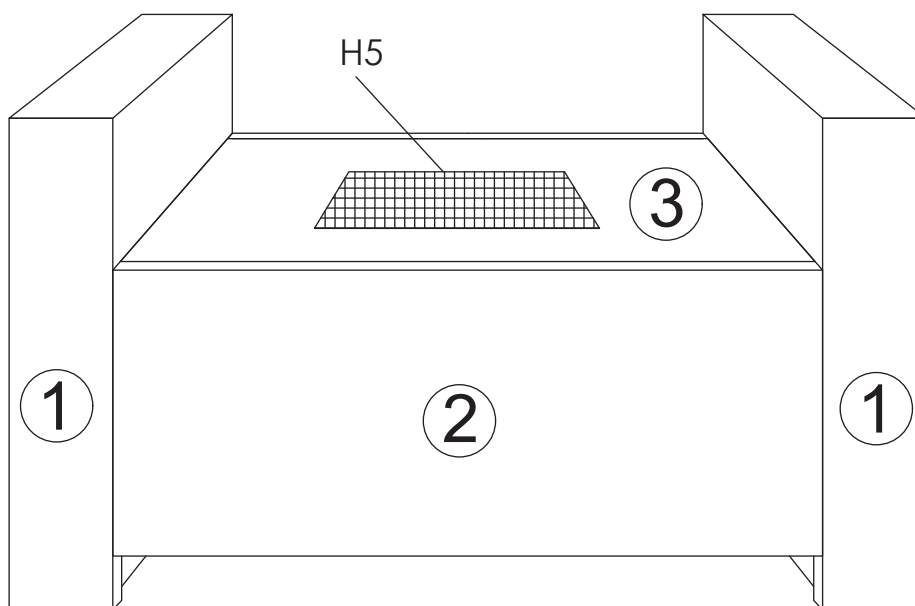
- 4** Attach Top Panel (③) to the assembled part in previous step, using Bolts (H1), Flat Washers (H2), and Allen Wrench (H3). **Do NOT fully tighten yet.**



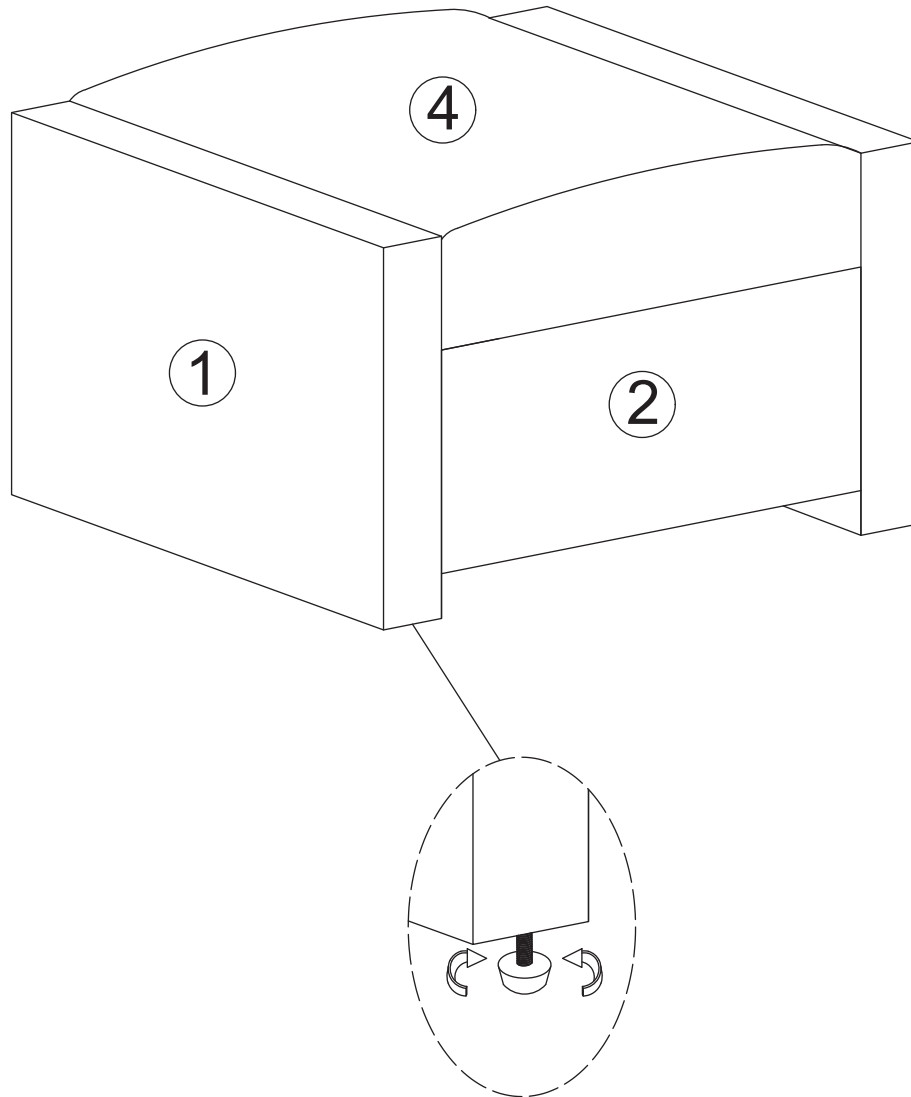
- 5** Place the ottoman upright on a flat surface. Push the ottoman up or down as necessary to level. Once level, set the button on Ratchet Wrench (H4) at “-”. Use Ratchet Wrench (H4) to **fully tighten** all bolts in Step 2, 3, and 4.



- 6** Place Non-Slip Mat (H5) on the ottoman.



- 7** Place Cushion (④) on the ottoman. Assembly complete. Enjoy.  
Note: Each leg has an adjustable foot leveler to help level your ottoman.



**Foot levelers**