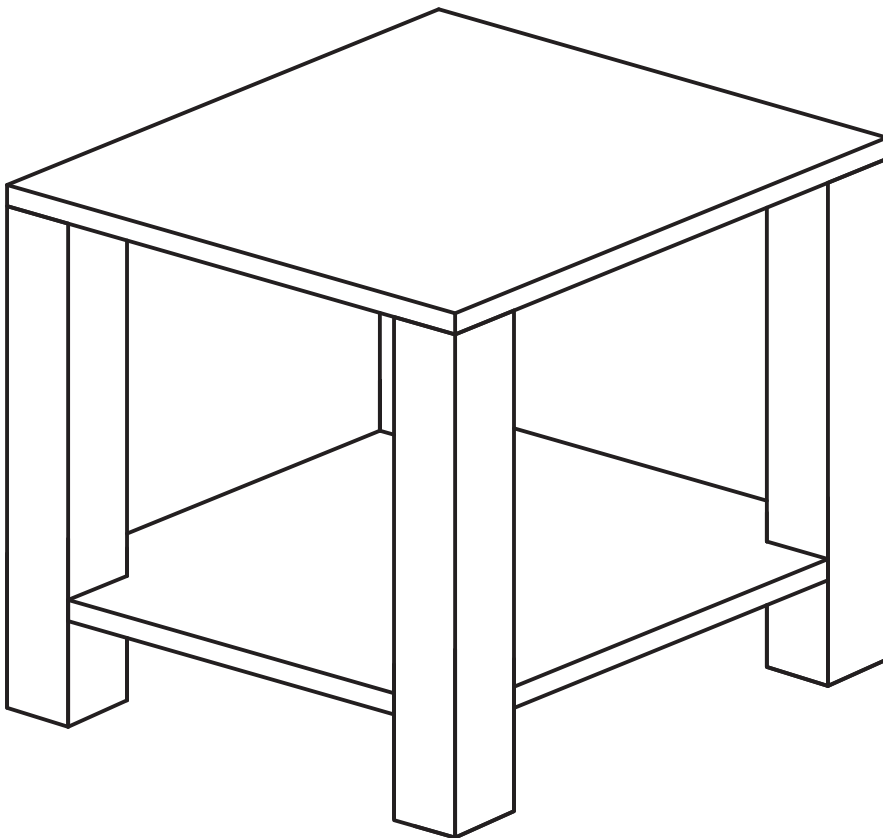


P72954 Assembly Manual


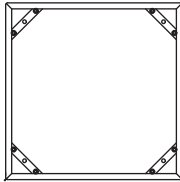
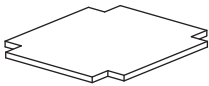
Side Table







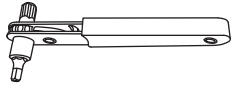
 **CAUTION**

THIS ASSEMBLY MANUAL CONTAINS IMPORTANT SAFETY INFORMATION.
PLEASE READ AND KEEP FOR FUTURE REFERENCE.

Components:

<p>Ax4</p>  <p>Leg</p>	<p>Bx1</p>  <p>Top Panel</p>
<p>Cx1</p>  <p>Bottom Panel</p>	

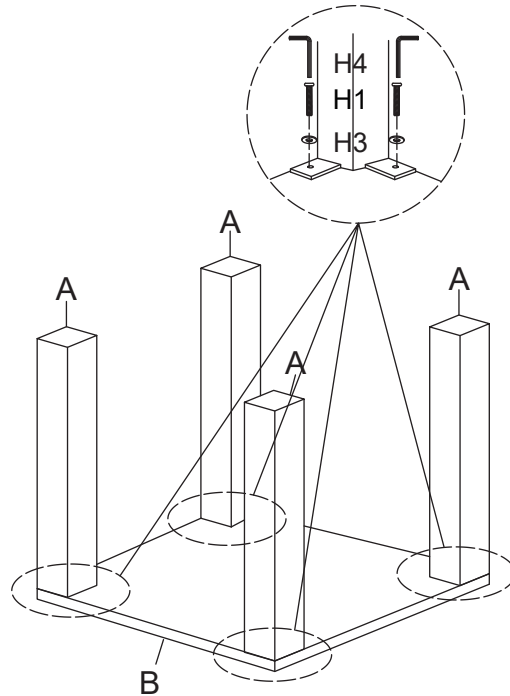
Hardware Pack:

<p>H1x8</p>  <p>Bolts (M6 x 15mm)</p>	<p>H2x8</p>  <p>Bolts (M6 x 30mm)</p>	<p>H3x16</p>  <p>Flat Washers (M6)</p>
<p>H4x1</p>  <p>Allen Wrench (4#)</p>	<p>H5x1</p>  <p>Ratchet Wrench (M6)</p>	

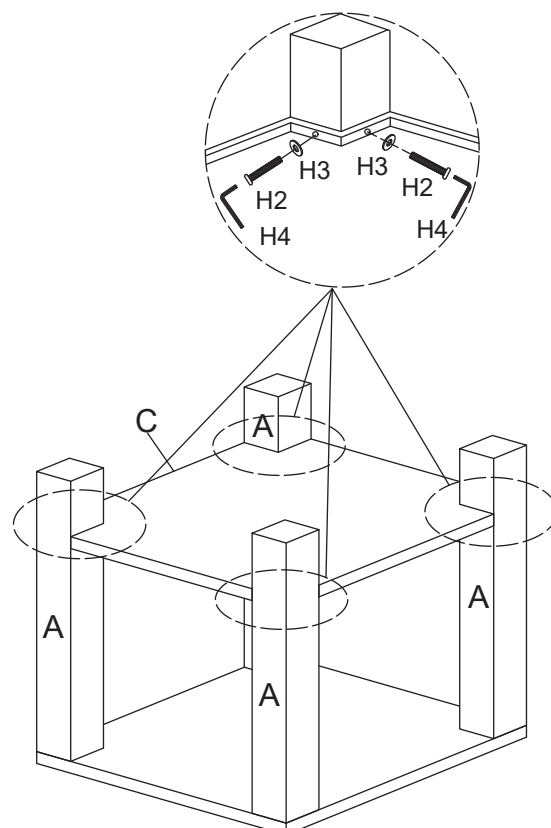
Before you begin:

1. Check if you have received all parts using the diagram on this page. Do not start the assembly process until all parts are present. If you have not received all parts or received wrong or damaged ones, please contact our customer service and we will get back to you.
2. Do not discard any of the packaging until you are certain that you have all the necessary parts for the assembly.
- 3. Proper assembly of this item requires two (2) people.**

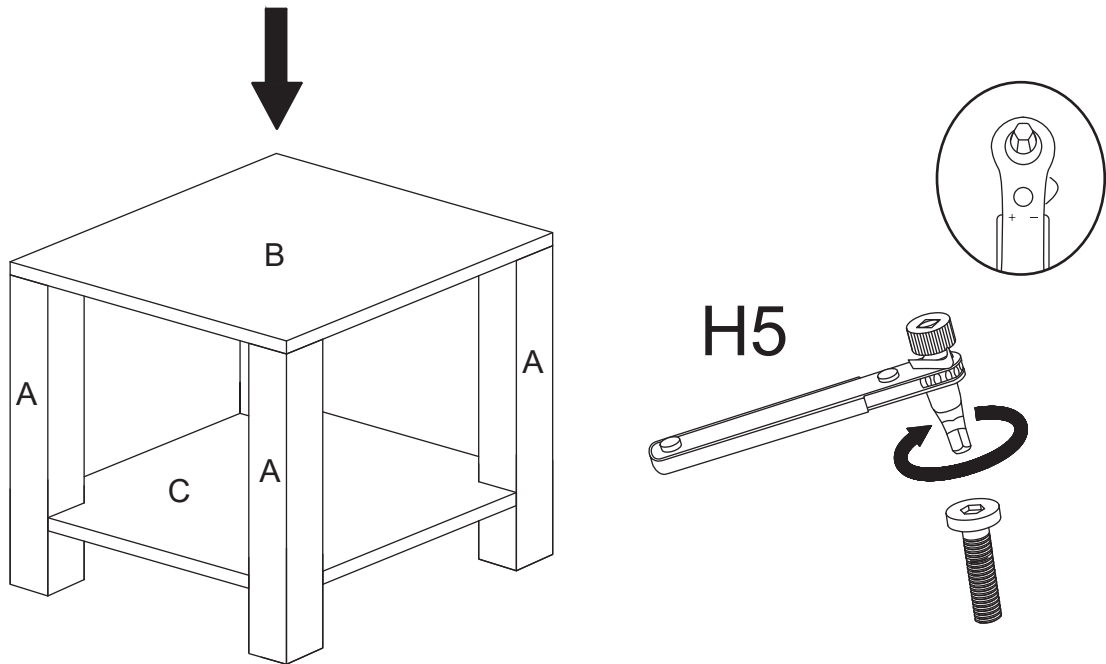
- 1 Attach Legs (A) to Top Panel (B), using Bolts (H1), Flat Washers (H3), and Allen Wrench (H4). **Do NOT fully tighten yet.**



- 2 Attach Bottom Panel (C) to Legs (A) in previous step, using Bolts (H2), Flat Washers (H3), and Allen Wrench (H4). **Do NOT fully tighten yet.**



- 3** Place the side table upright on a flat surface. Push the side table up or down as necessary to level. Once level, set the button on Ratchet Wrench (H5) at “-”. Use Ratchet Wrench (H5) to **fully tighten** all bolts in Step 1 and 2.



- 4** Assembly complete. Enjoy.
Note: Each leg has an adjustable foot leveler to help level your side table.

