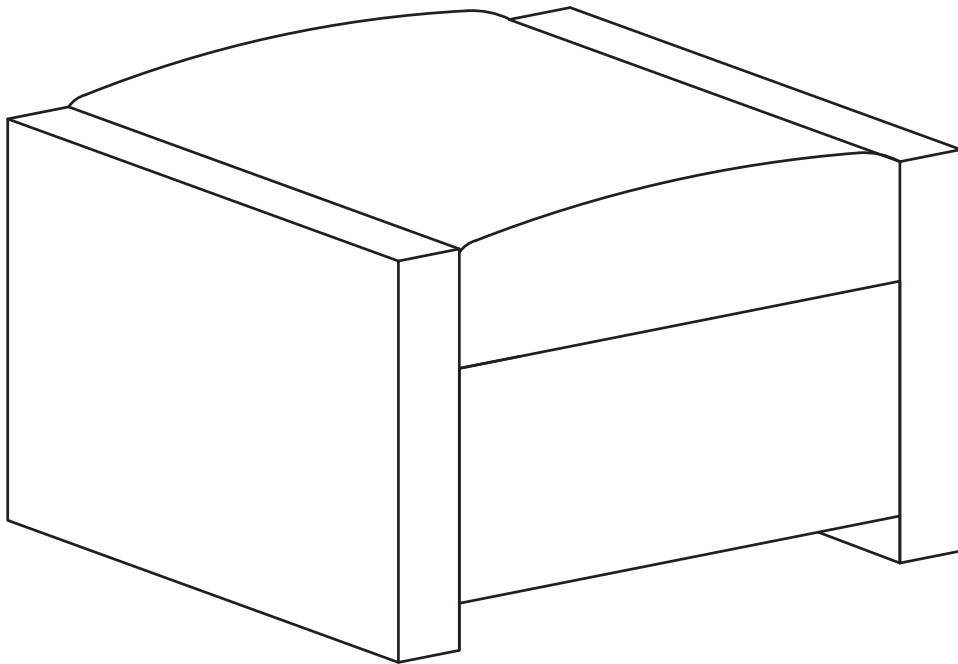


P72954/P72956 Assembly Manual

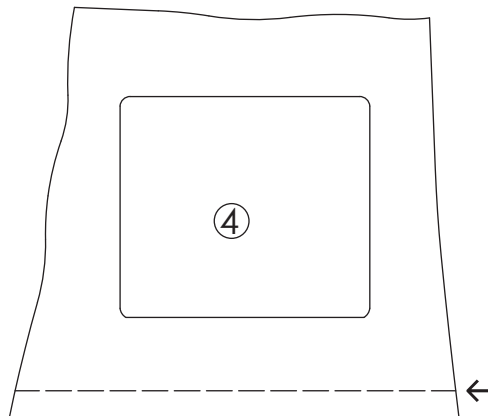
Ottoman



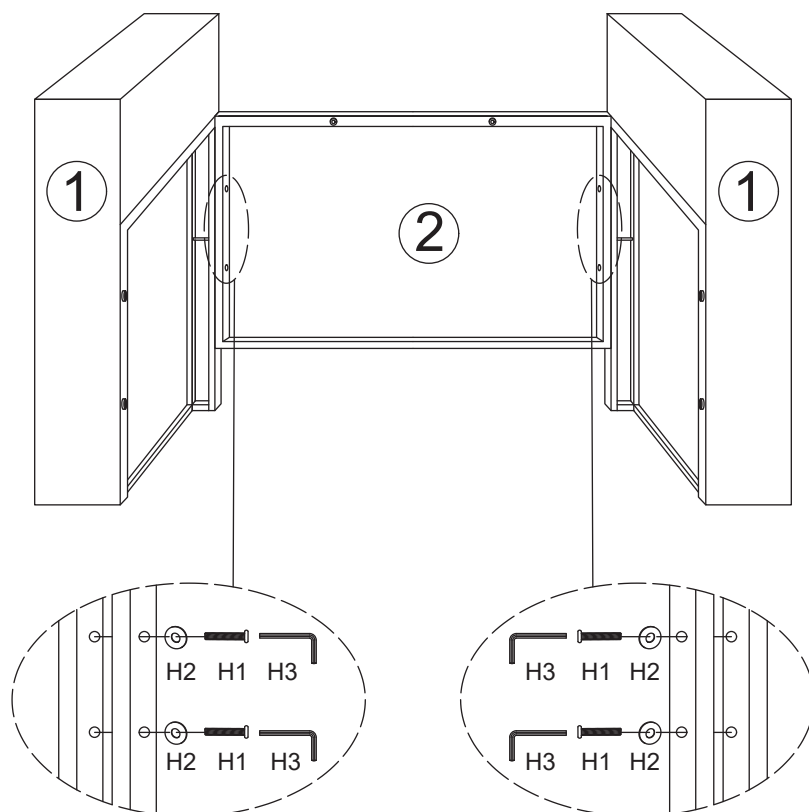
 **CAUTION**

THIS ASSEMBLY MANUAL CONTAINS IMPORTANT SAFETY INFORMATION.
PLEASE READ AND KEEP FOR FUTURE REFERENCE.

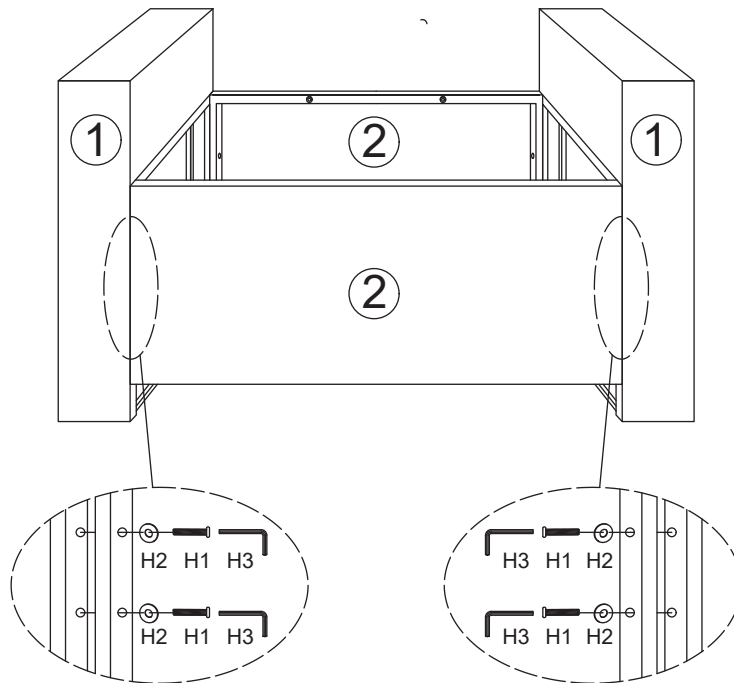
- 1** Open the vacuum-packed bags containing the Cushion (④).
 Note: Do NOT use sharp tools such as knives or scissors to open the bag as it could potentially damage the cushion. Please use your hands to gently pull the bag apart. Please allow up to 48 hours for the cushion to return to its original thickness.



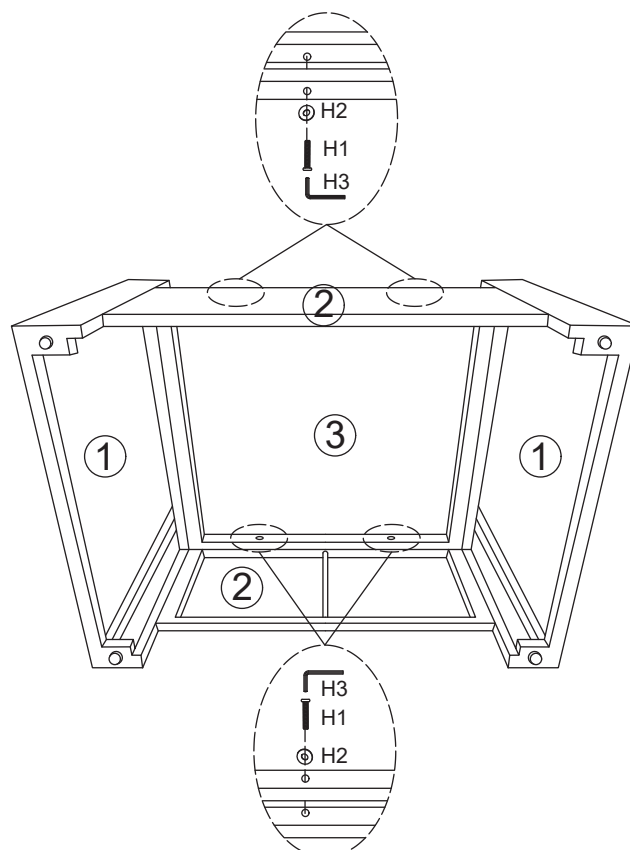
- 2** Attach one piece of Side Panel (②) to Left & Right Panel (①), using Bolts (H1), Flat Washers (H2), and Allen Wrench (H3). **Do NOT fully tighten yet.**



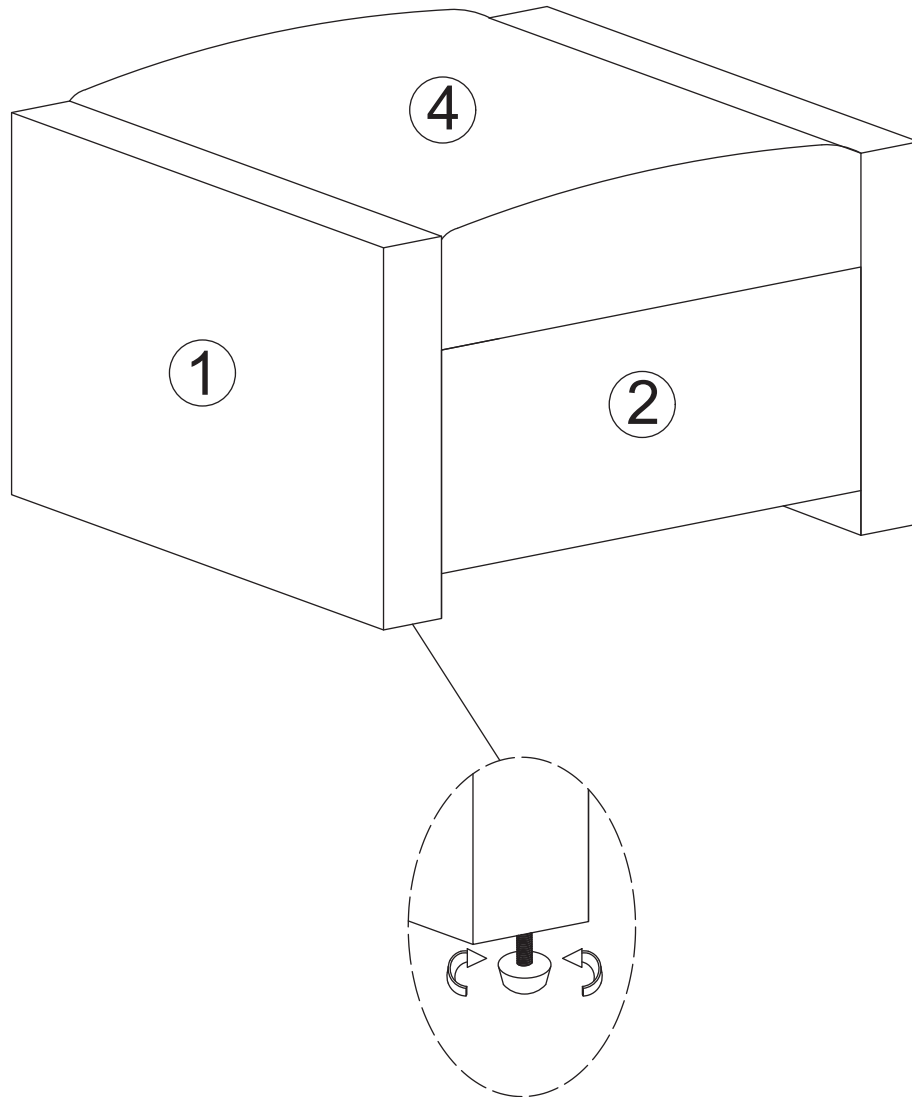
- 3** Attach the other piece of Side Panel (②) to Left & Right Panel (①), using Bolts (H1), Flat Washers (H2), and Allen Wrench (H3). **Do NOT fully tighten yet.**



- 4** Attach Top Panel (③) to the assembled part in previous step, using Bolts (H1), Flat Washers (H2), and Allen Wrench (H3). **Do NOT fully tighten yet.**



- 7** Place Cushion (④) on the ottoman. Assembly complete. Enjoy.
 Note: Each leg has an adjustable foot leveler to help level your ottoman.



Foot levelers