

Assembly Guide

Sofa Collection

Sofa & Armchair

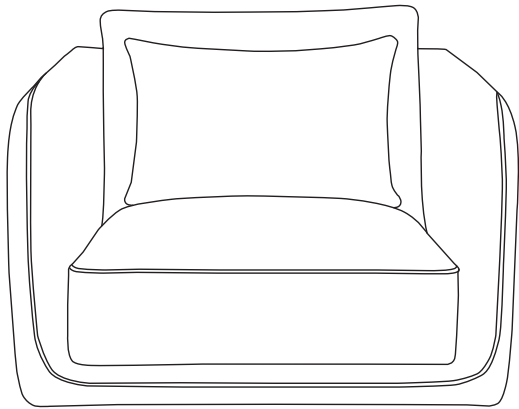


CAUTION

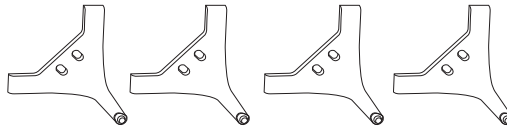
THIS ASSEMBLY MANUAL CONTAINS IMPORTANT SAFETY INFORMATION.
PLEASE READ AND KEEP FOR FUTURE REFERENCE.

Armchair

Components



Corner Leg (x4)



Allen Key (x1)



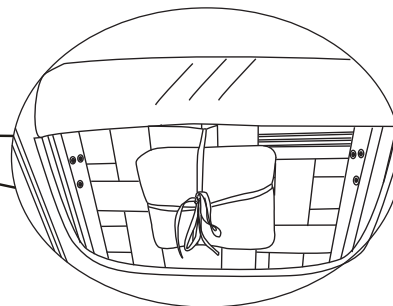
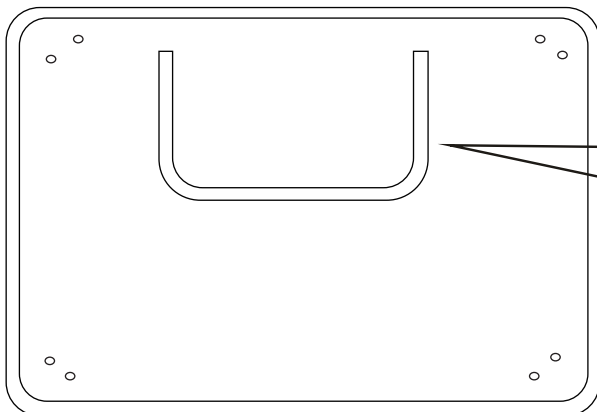
Power tools are NOT recommended

Bolts (x8)



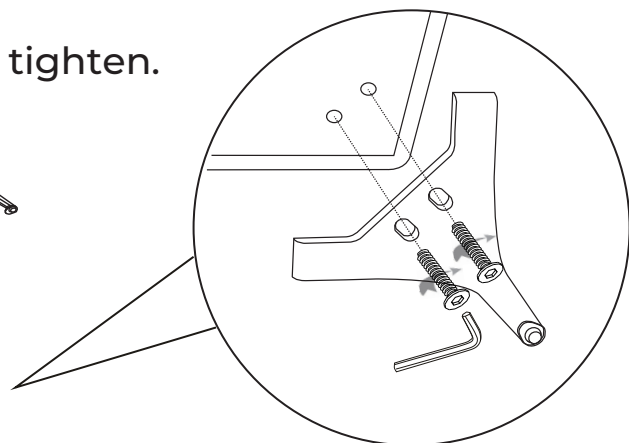
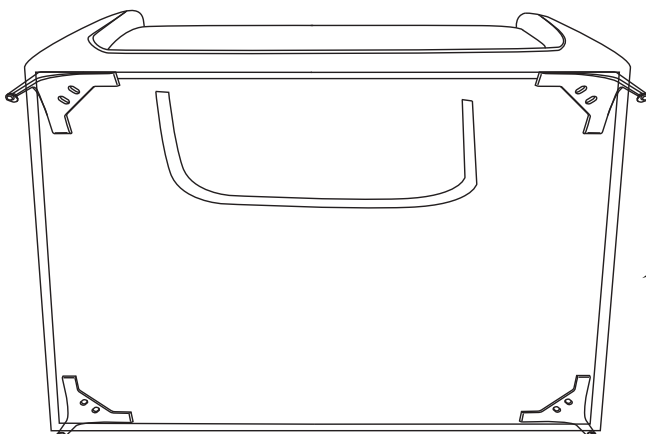
Assembly Instructions

- 1 Remove the legs and hardware pack from the zippered compartment at the bottom of the chair.



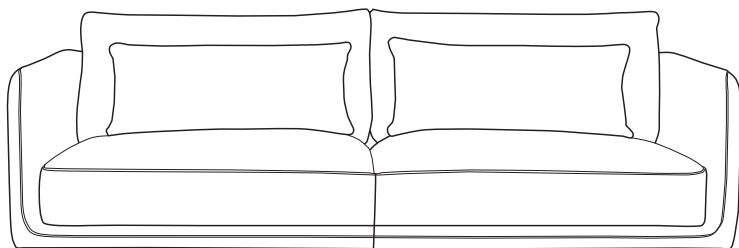
Hardware pack inside

- 2 Attach the legs to the chair, using bolts and allen key. Fully tighten.

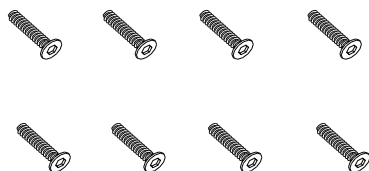


Use allen key to tighten

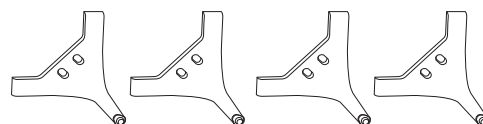
Components



Bolts (x8)



Corner Leg (x4)



Middle Leg (x1)



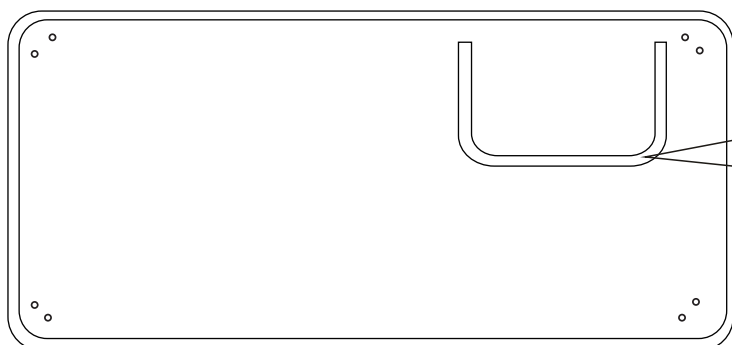
Allen Key (x1)



Power tools are NOT recommended

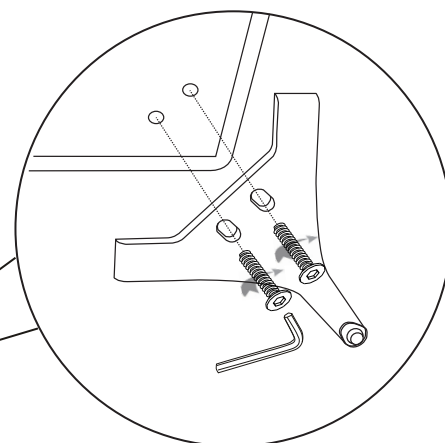
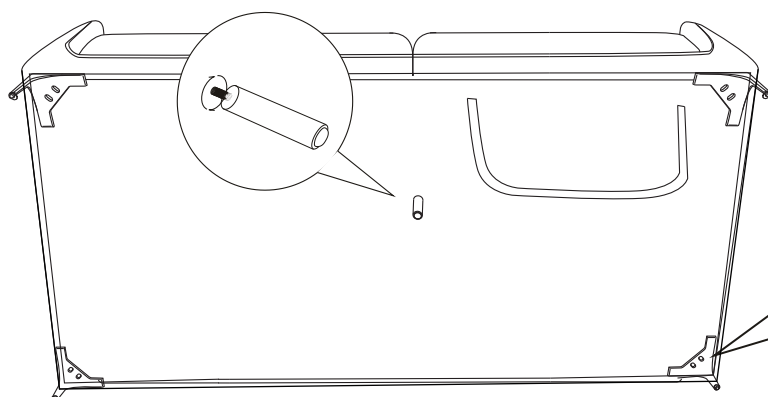
Assembly Instructions

- 1 Remove the legs and hardware pack from the zippered compartment at the bottom of the sofa.



Hardware pack inside

- 2 Rotate the middle leg into the sofa. Attach the corner legs to the sofa, using bolts and allen key. Fully tighten.

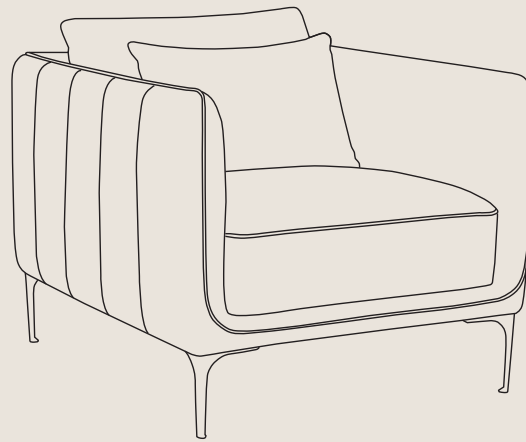


Use Allen Key to tighten

Note

Each piece comes with one box.

Armchair



Sofa

