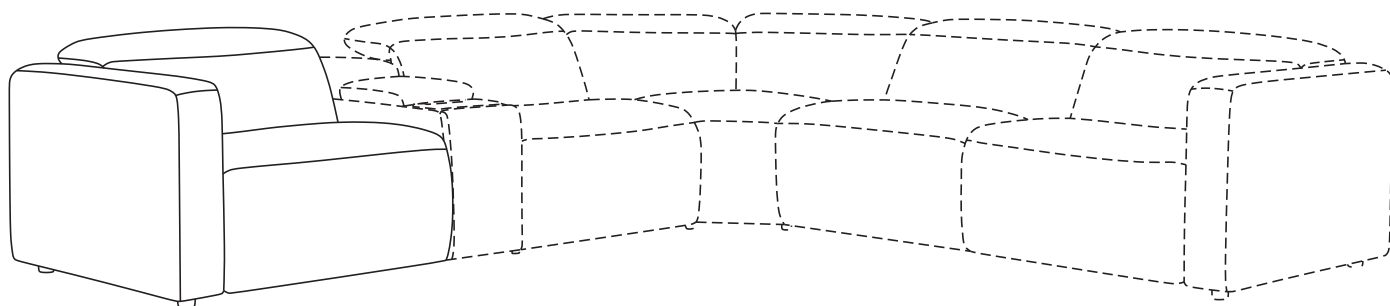


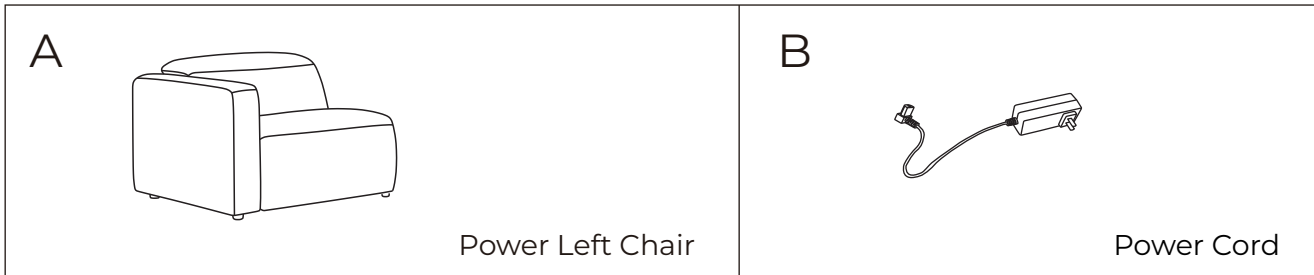
## Power Left Chair Oliver Collection **Assembly Manual**



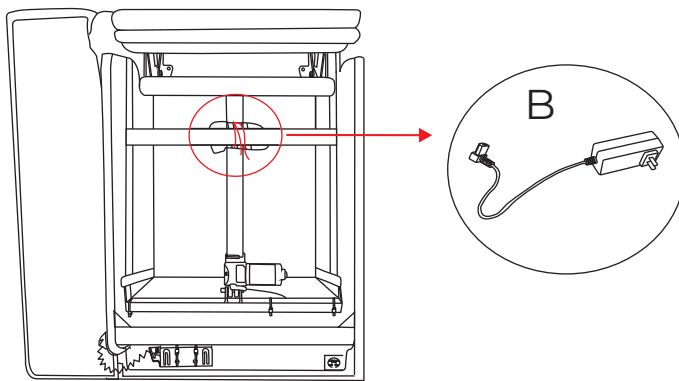
### **CAUTION**

THIS ASSEMBLY MANUAL CONTAINS IMPORTANT SAFETY INFORMATION.  
PLEASE READ AND KEEP FOR FUTURE REFERENCE.

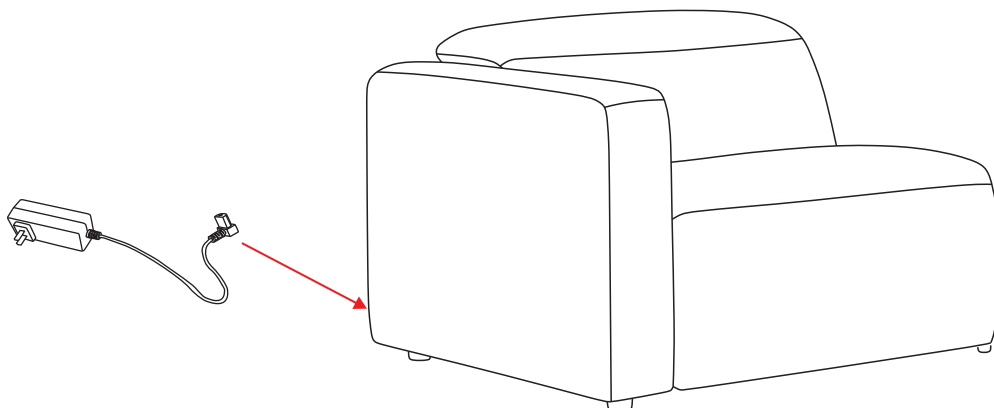
## Parts



**Before you begin: Locate the Power Cord (B) at the bottom of Power Left Chair.**

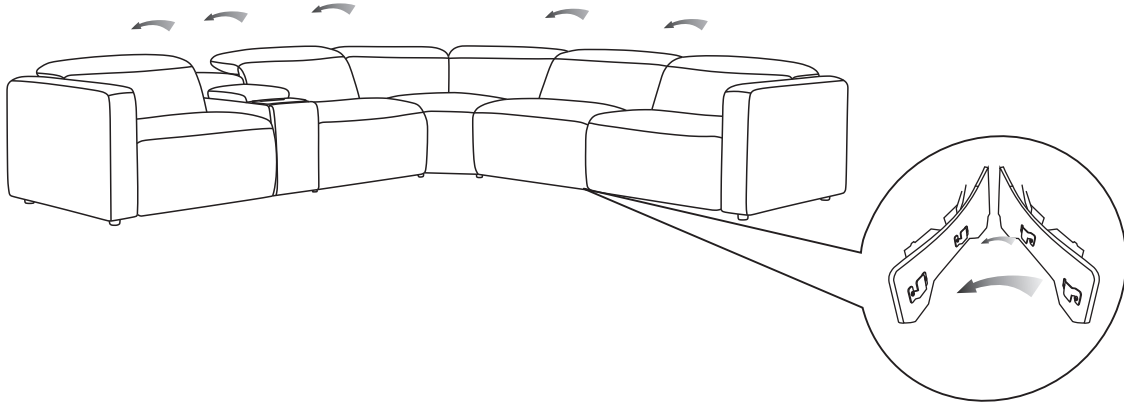


**Gently place the Power Left Chair in the upright position. Connect the Power Cord (B) into the DC adaptor located at the back corner of the seat.**

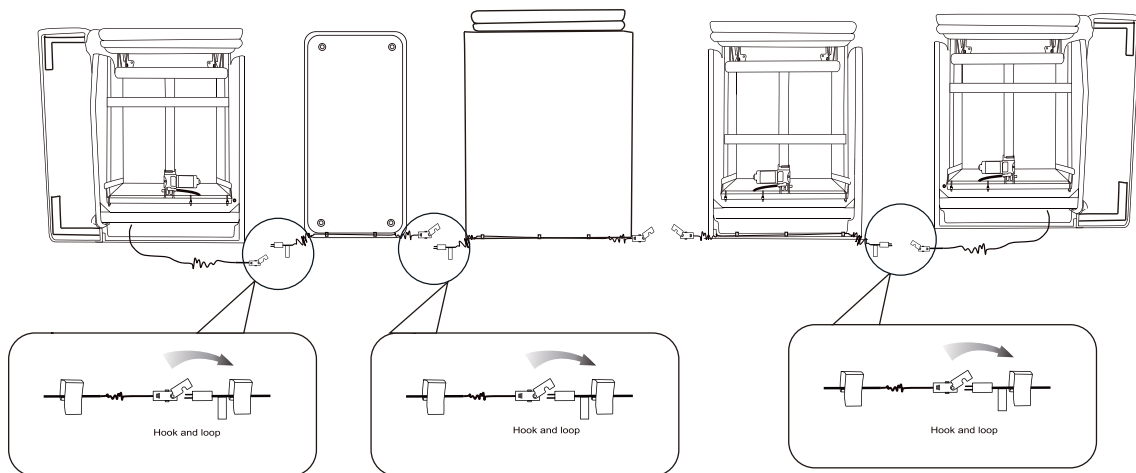


## How to Connect

Step 1: Attach each piece with brackets on the side.



Step 2: Connect the wire piece by piece



Step 3: Plug the power cord of either the left or right power armchair into the power outlet.

Note: After all the connections are made, the green LED will be lit up.

