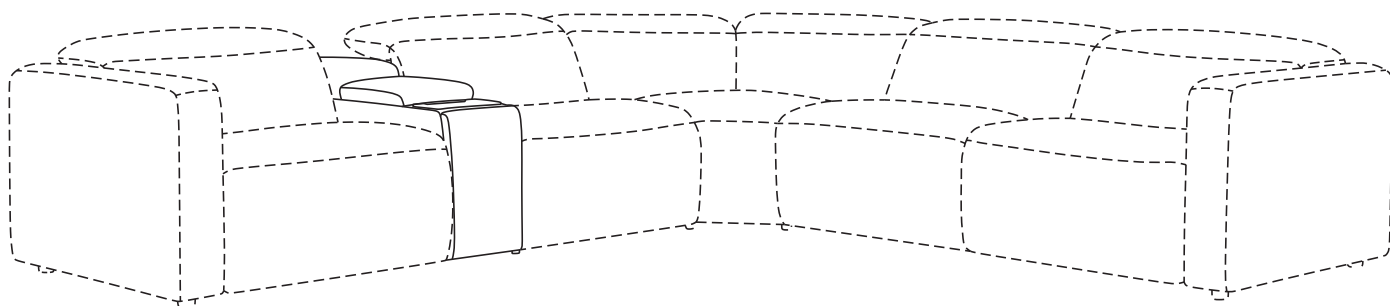


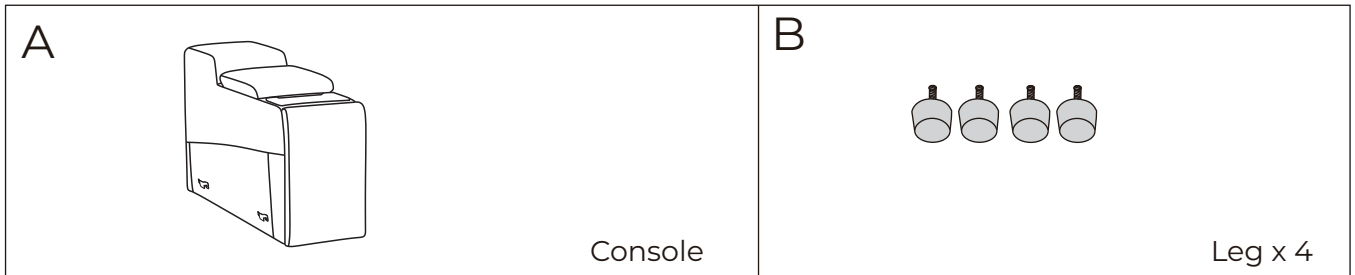
Console
Oliver Collection
Assembly Manual



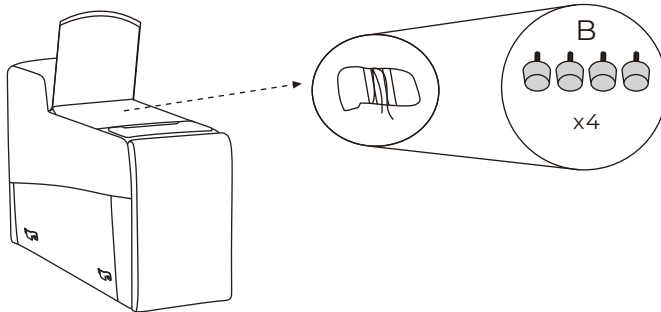
CAUTION

THIS ASSEMBLY MANUAL CONTAINS IMPORTANT SAFETY INFORMATION.
PLEASE READ AND KEEP FOR FUTURE REFERENCE.

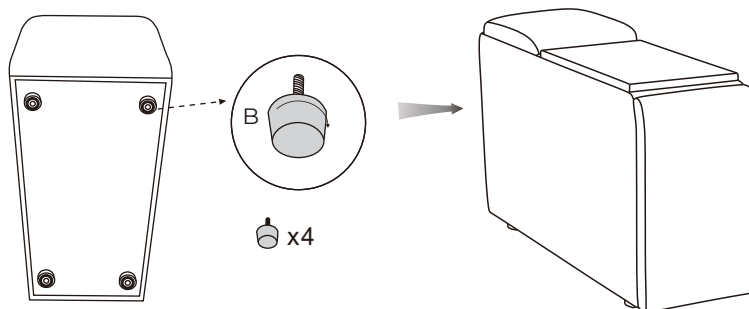
Parts



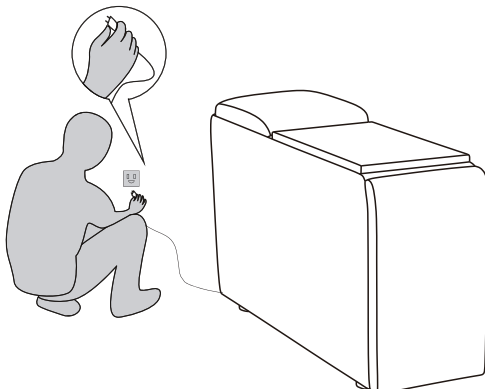
Before you begin: Locate the Legs (B) in the storage box of Console.



Step 1: Rotate the Legs (B) firmly, and gently place the Console in the upright position.

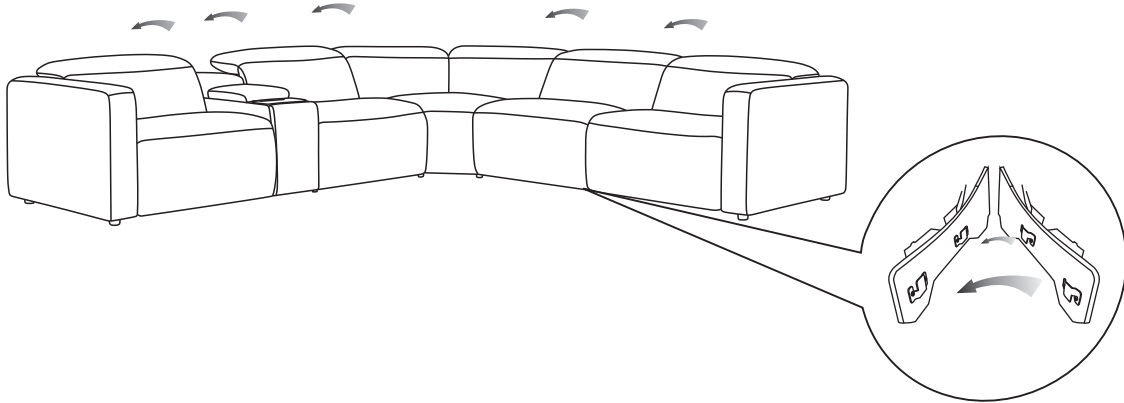


Step 2: Plug the power cord into the power outlet to complete the assembly of your Console.

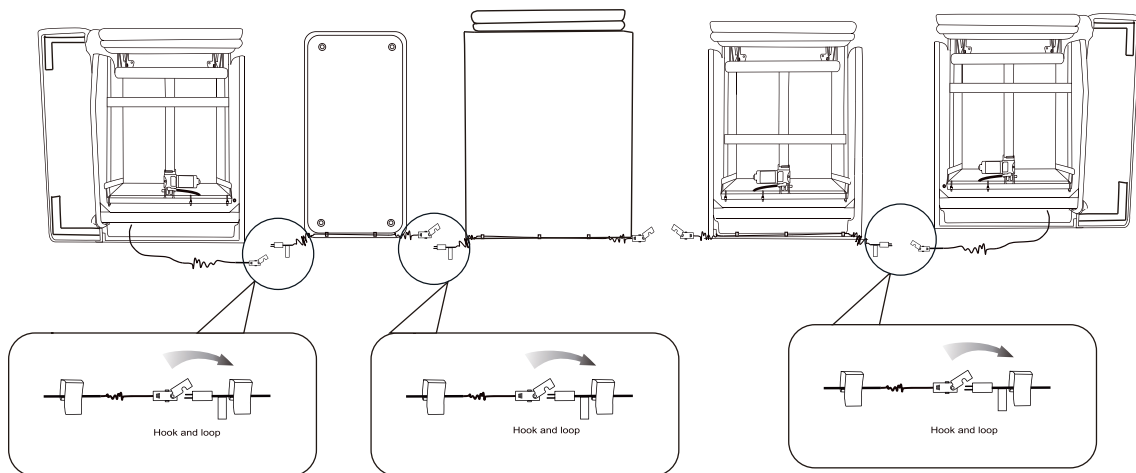


How to Connect

Step 1: Attach each piece with brackets on the side.



Step 2: Connect the wire piece by piece



Step 3: Plug the power cord of either the left or right power armchair into the power outlet.

Note: After all the connections are made, the green LED will be lit up.

