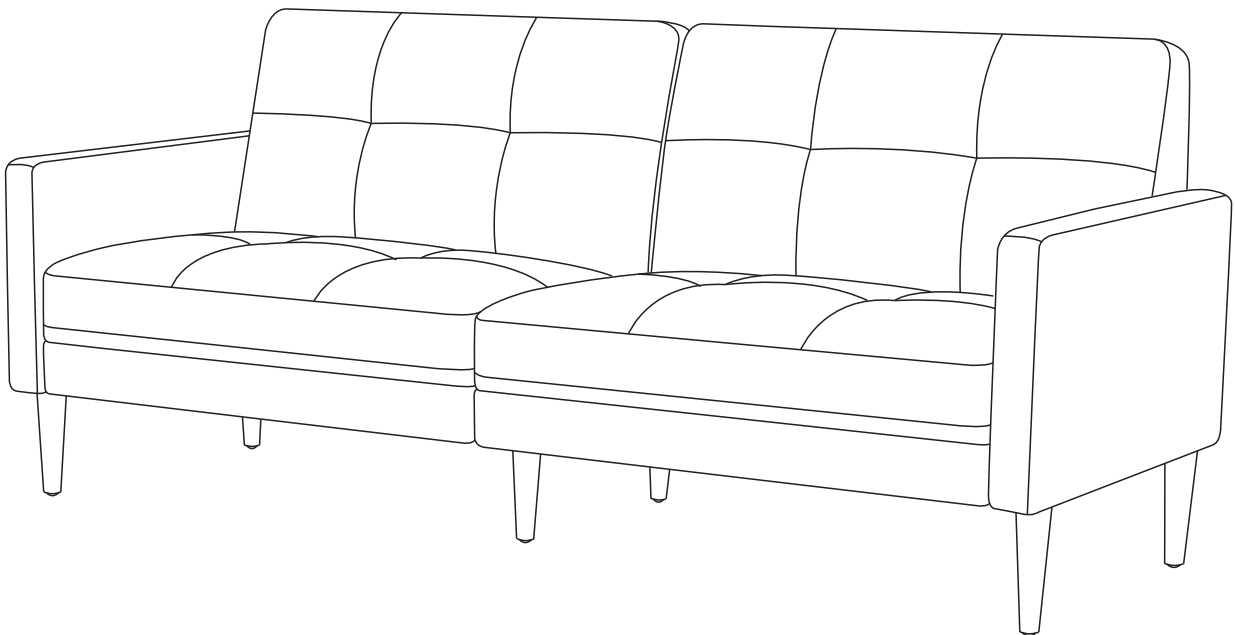


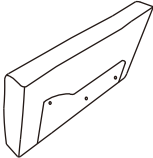
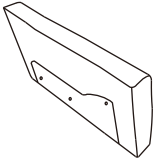
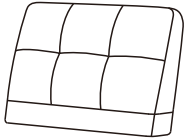
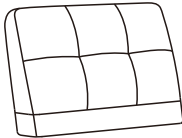
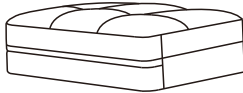
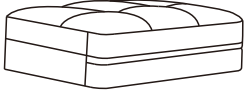
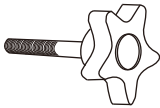






Assembly Manual for S-77000-3S 72.8"W Sofa



CAUTION

THIS ASSEMBLY MANUAL CONTAINS IMPORTANT SAFETY INFORMATION.

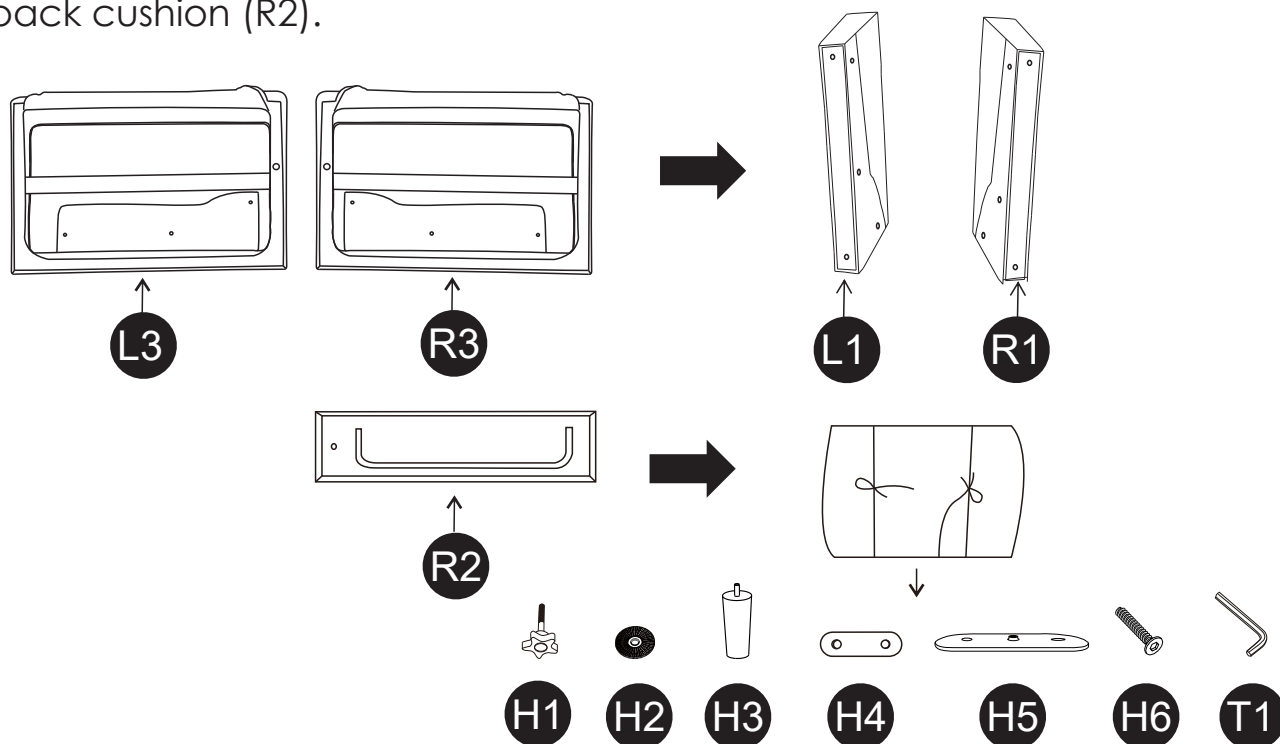
PLEASE READ AND KEEP FOR FUTURE REFERENCE.

<p>R1×1</p>  <p>Right Facing Arm</p>	<p>L1×1</p>  <p>Left Facing Arm</p>	<p>R2×1</p>  <p>Right Back Cushion</p>
<p>L2×1</p>  <p>Left Back Cushion</p>	<p>R3×1</p>  <p>Right Seat Cushion</p>	<p>L3×1</p>  <p>Left Seat Cushion</p>
<p>H1×10</p>  <p>Thumb Screw</p>	<p>H2×4</p>  <p>Washer</p>	<p>H3×6</p>  <p>Wood Leg</p>
<p>H4×1</p>  <p>Back Connector</p>	<p>H5×2</p>  <p>Seat Connector</p>	<p>H6×6</p>  <p>Bolt</p>
<p>T1×1</p>  <p>Allen Key</p>		

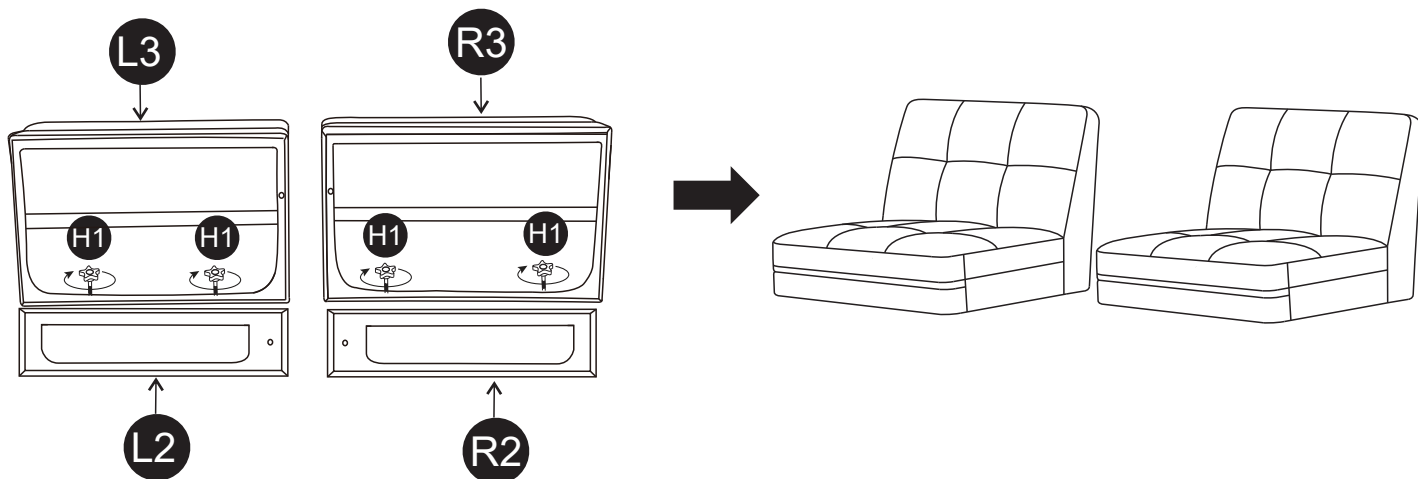
Please read through the instructions below to familiarize yourself with the parts and steps before assembly.

ASSEMBLY INSTRUCTIONS

- 1** Please lay all parts on a soft and smooth surface to assemble.
 Unzip and remove the left/right facing arm (L1/R1) from the bottom pocket of left/right seat cushion (L3/R3).
 Unzip and remove the hardware and legs from the bottom pocket of right back cushion (R2).

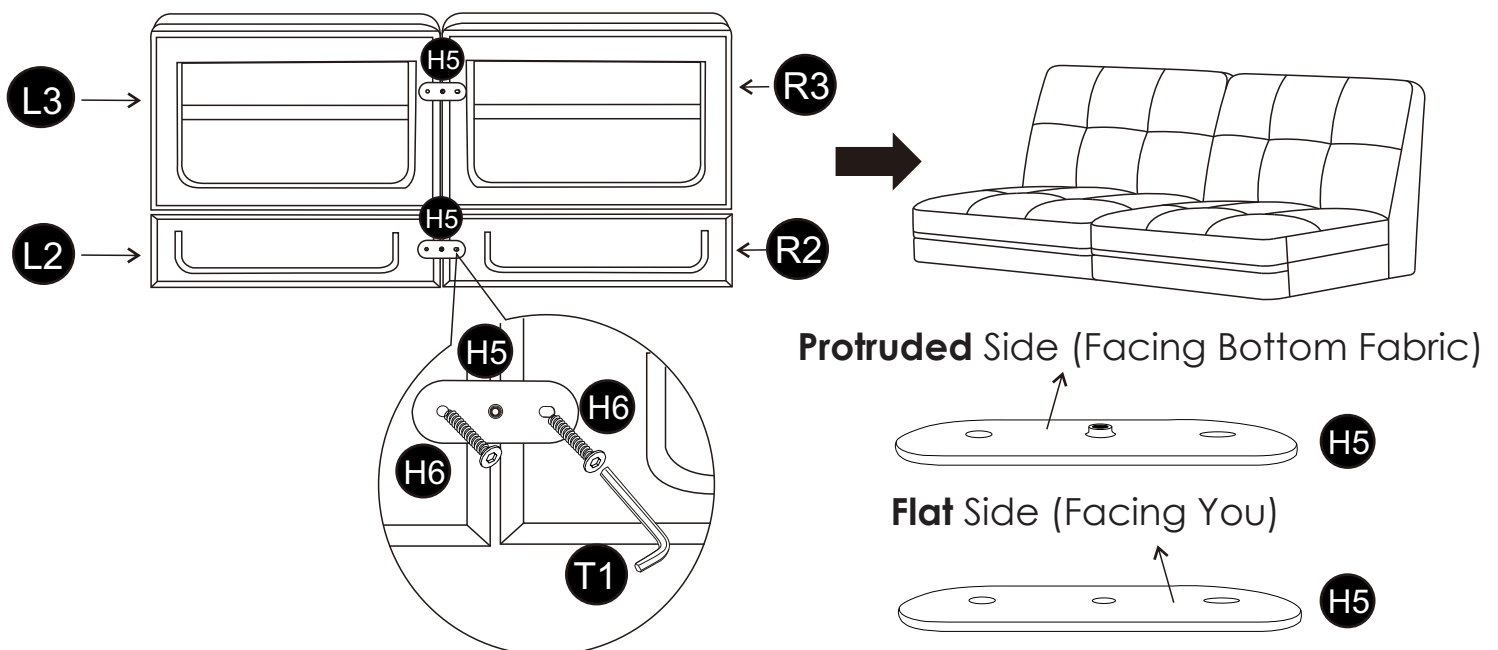


- 2** Place the left back cushion (L2) and right back cushion (R2) side by side, with the backrest on the floor and black fabric facing you. Attach left seat cushion (L3) to left back cushion (L2), using thumb screws (H1). **Loosely attach the thumb screws to get the alignment right, rather than fully tightening one before the other.** Repeat this step for right seat cushion (R3) and right back cushion (R2). **Then fully tighten all thumb screws.**

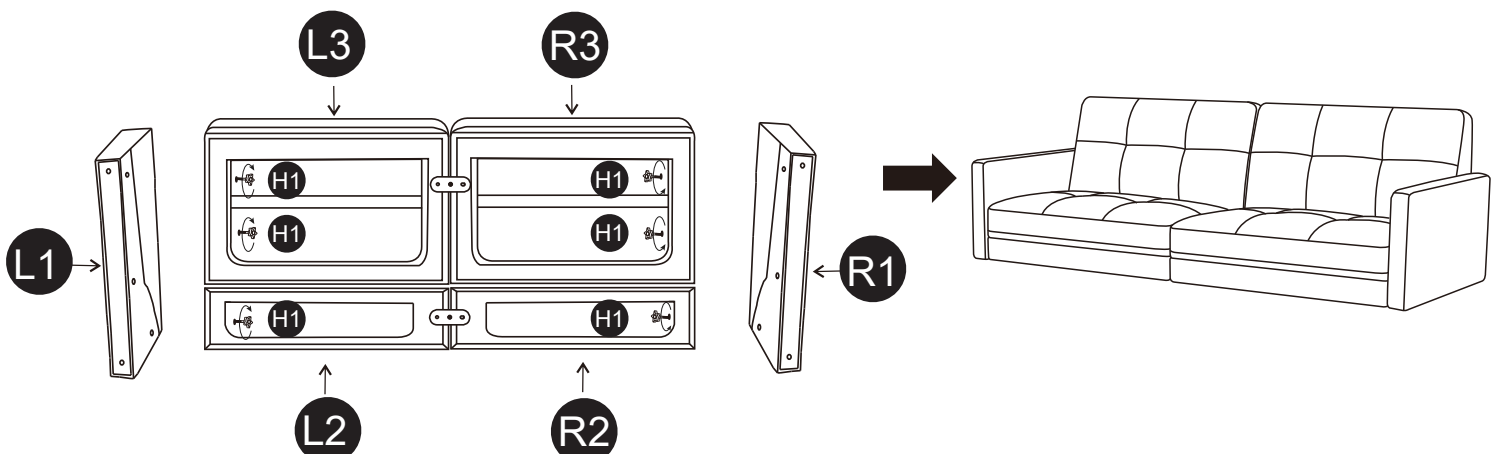


ASSEMBLY INSTRUCTIONS

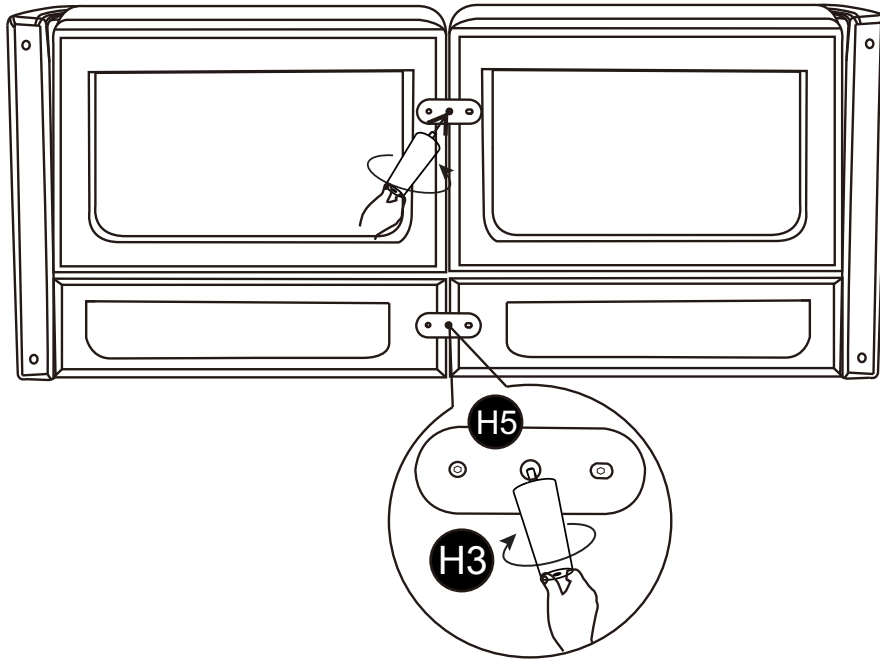
- 3** Place the left and right section side by side. Once aligned, connect left and right section, using seat connectors (H5), bolts (H6), and allen key (T1). **Please note the protruded side of the seat connector should face the bottom fabric and the flat side should face you. Loosely attach the bolts to get the alignment right, rather than fully tightening one before the other. After all bolts are aligned, fully tighten all bolts.**



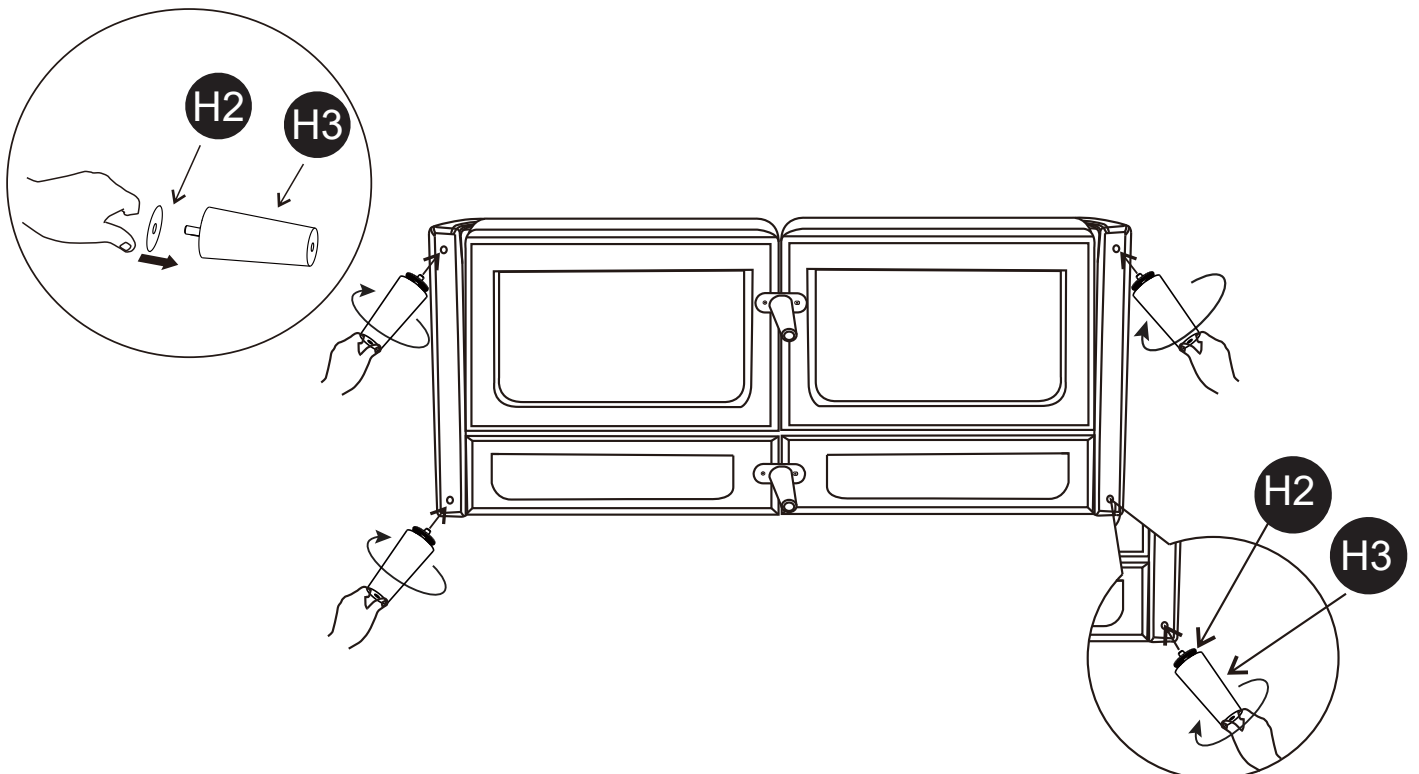
- 4** Attach left/right facing arm (L1/R1) to the assembled seat module in Step 3, using thumb screws (H1). **Please start with bottom thumb screws and move upward. Loosely attach the thumb screws to get the alignment right, rather than fully tightening one before the other. After all thumb screws are aligned, fully tighten all thumb screws.**



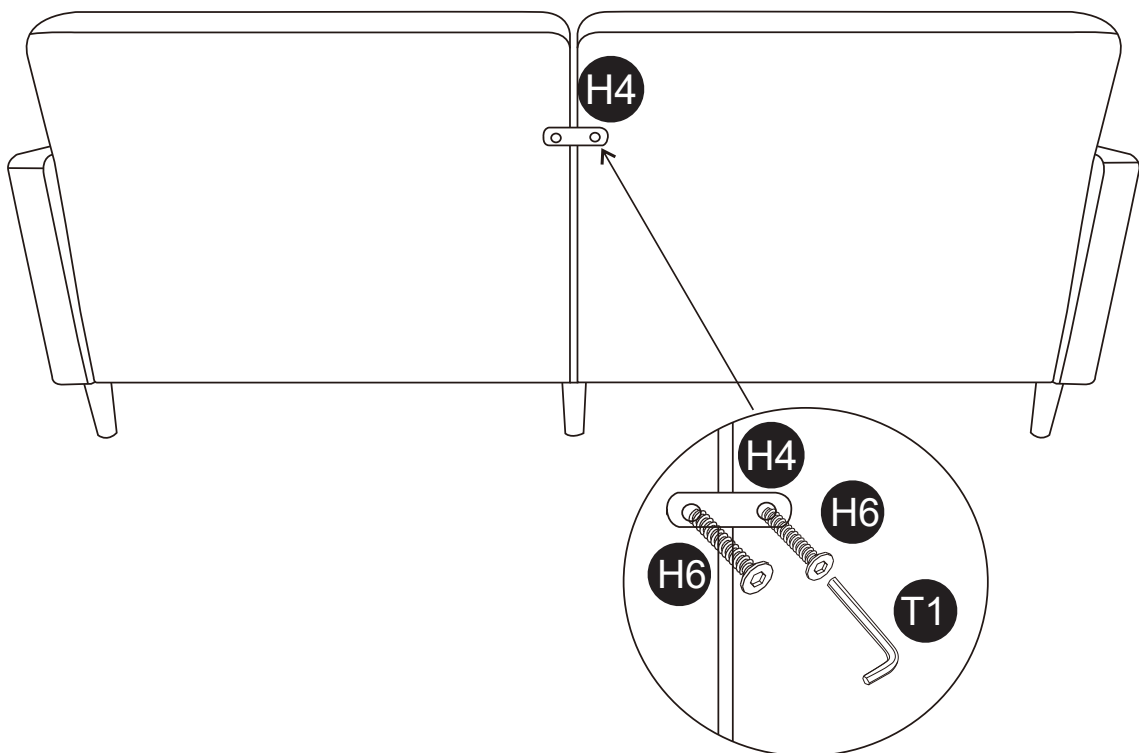
- 5** Attach the wood leg (H3) to the center hole of seat connector (H5). Fully tighten.



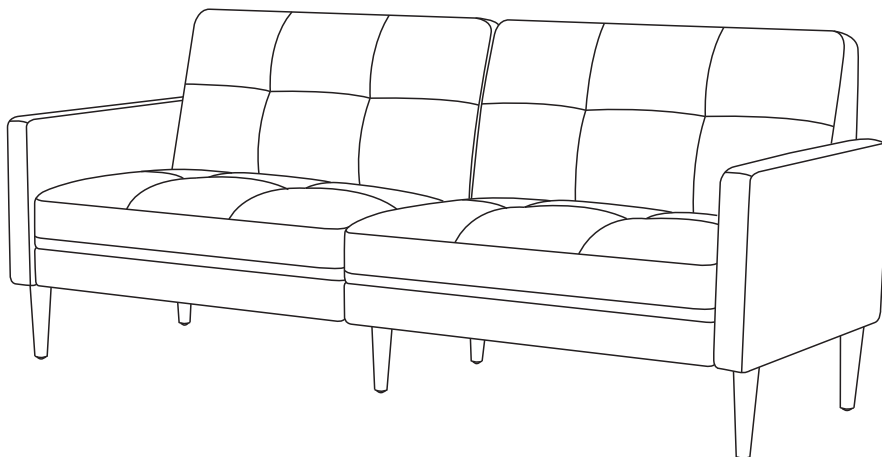
- 6** Slide washer (H2) into the stud of wood leg (H3). Then attach the wood leg to the bottom of left and right arms. Fully tighten.



- 7** Gently place the sofa in the upright position. It's best to have two people lift the sofa - one at each end - and place it on its legs. Attach the back connector (H4), using bolts (H6) and allen key (T1). **Loosely attach the bolts to get the alignment right, rather than fully tightening one before the other. After both bolts are aligned, fully tighten all bolts.**



- 8** Assembly complete. Enjoy.



Congratulations. We hope you enjoy your new piece of furniture.