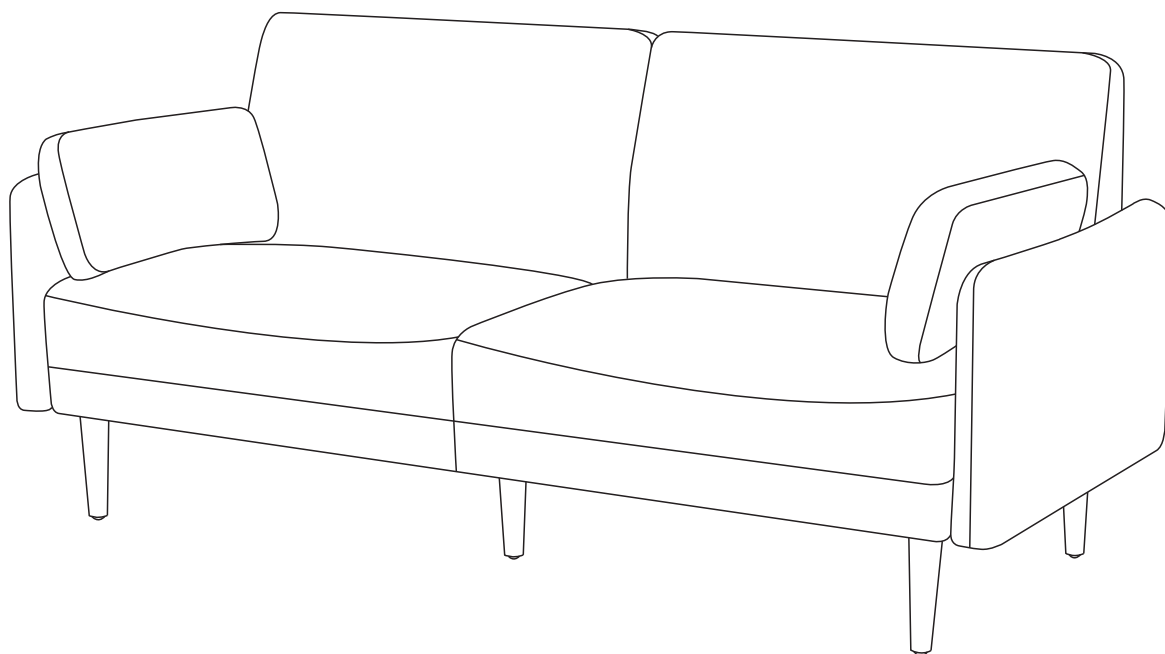




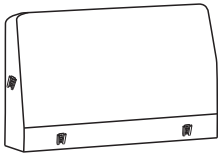
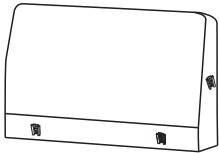



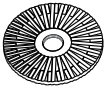





## Assembly Manual for Kinslee 72.8"W Sofa



 **CAUTION**

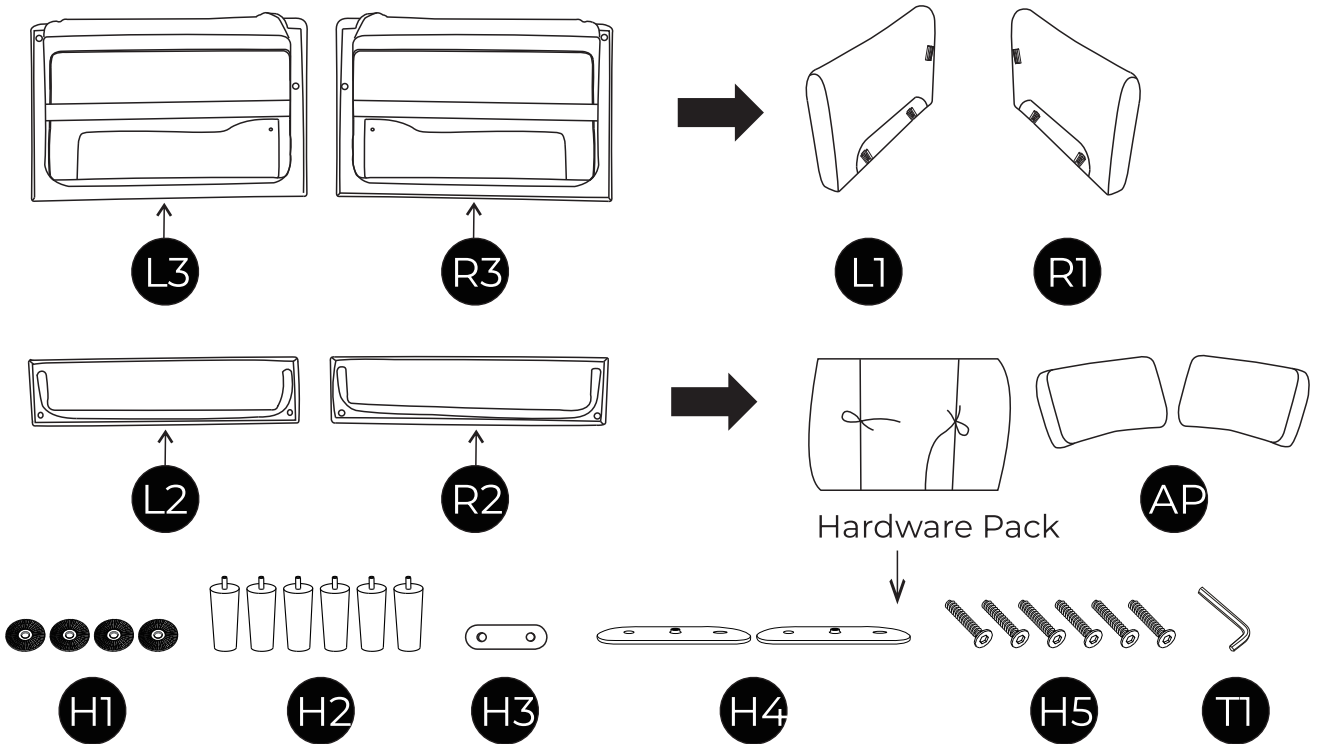
THIS ASSEMBLY MANUAL CONTAINS IMPORTANT SAFETY INFORMATION.

PLEASE READ AND KEEP FOR FUTURE REFERENCE.

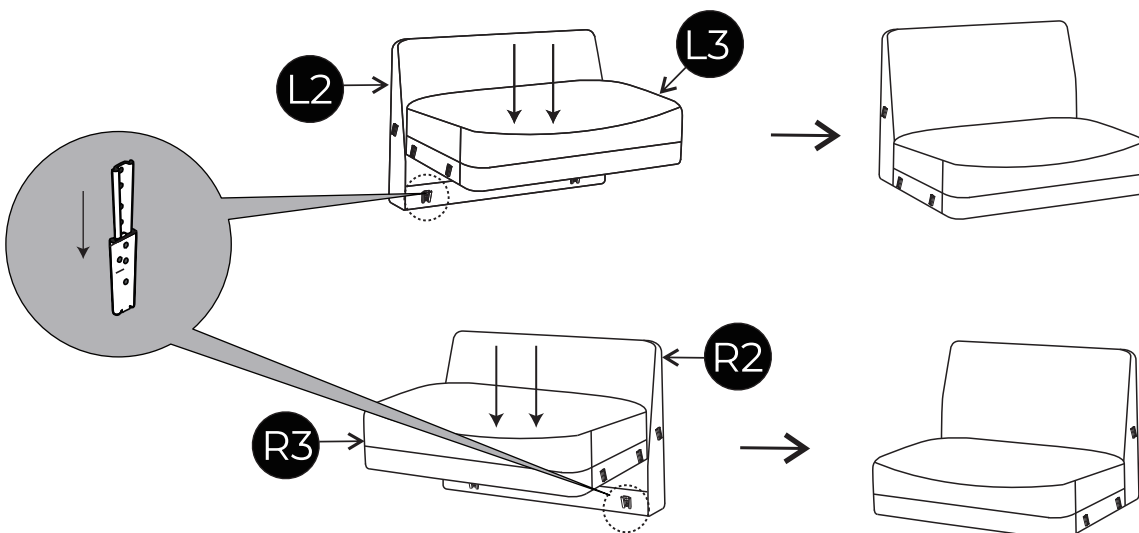
<p>L1×1</p>  <p>Left Arm</p>	<p>R1×1</p>  <p>Right Arm</p>	<p>L2×1</p>  <p>Left Backrest</p>
<p>R2×1</p>  <p>Right Backrest</p>	<p>L3×1</p>  <p>Left Seat</p>	<p>R3×1</p>  <p>Right Seat</p>
<p>AP×2</p>  <p>Arm Pillow</p>	<p>H1×4</p>  <p>Washer</p>	<p>H2×6</p>  <p>Wood Leg</p>
<p>H3×1</p>  <p>Back Connector</p>	<p>H4×2</p>  <p>Seat Connector</p>	<p>H5×6</p>  <p>Bolt</p>
<p>T1×1</p>  <p>Allen Key</p>		

Please read through the instructions below to familiarize yourself with the parts and steps before assembly.

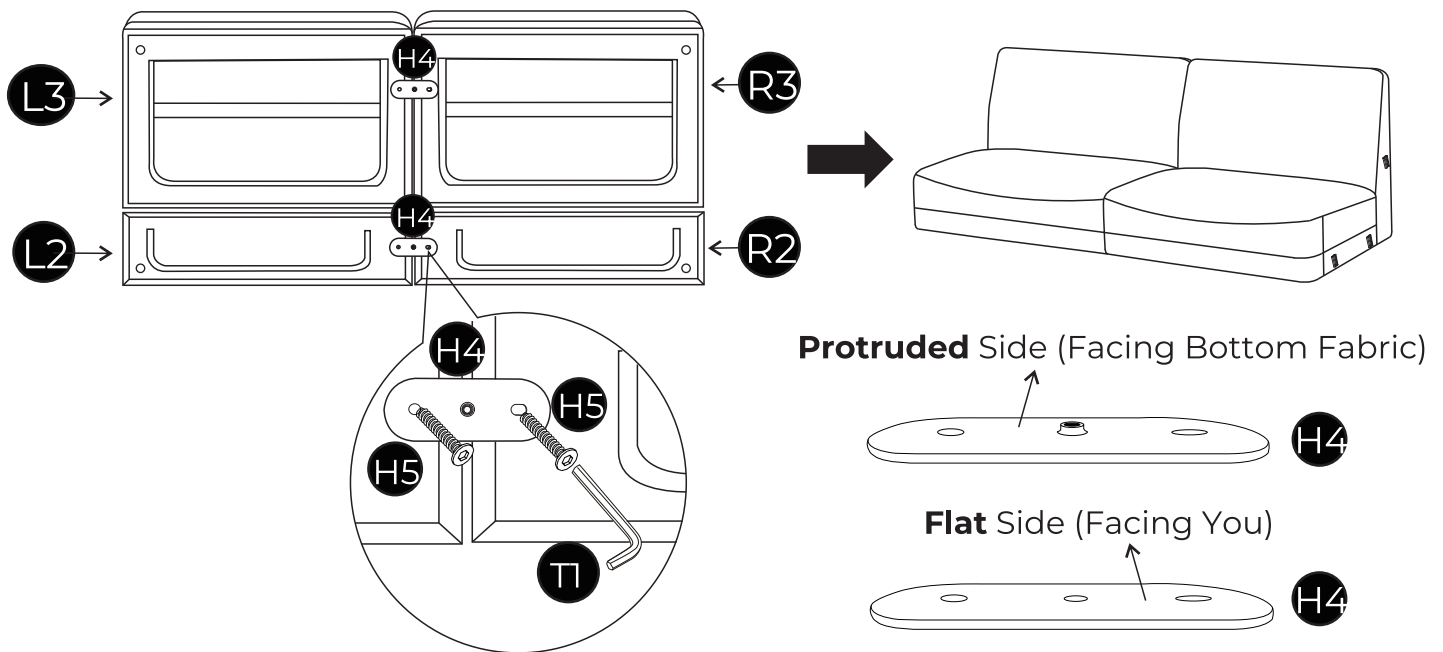
- 1** Please lay all parts on a soft and smooth surface to assemble.  
 Unzip and remove the Left/Right Arm (L1/R1) from the bottom pocket of Left/Right Seat (L3/R3).  
 Unzip and remove the hardware pack and Arm Pillows from the bottom pocket of Left/Right Backrest (L2/R2).



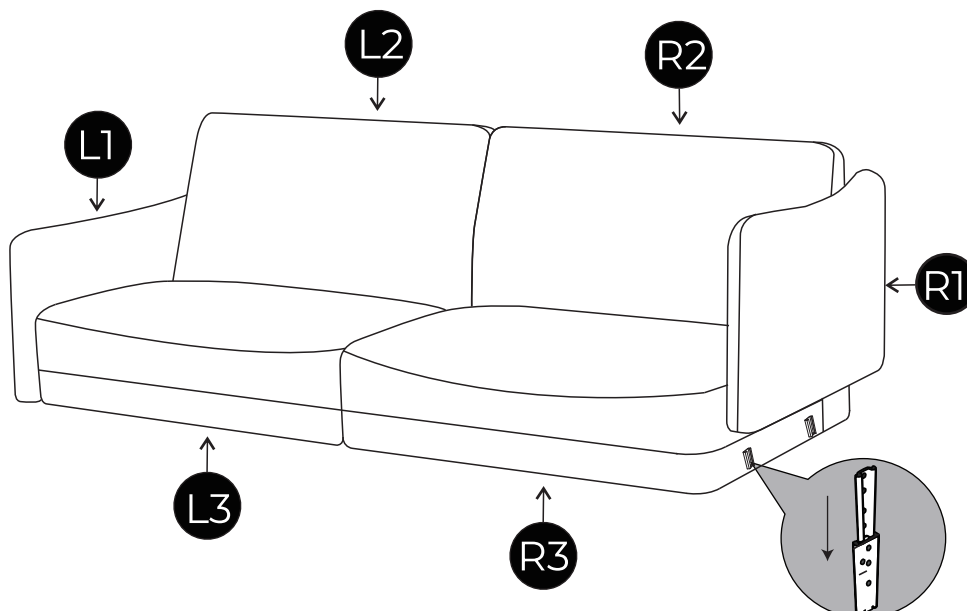
- 2** Slide the Left Seat (L3) into the Left Backrest (L2).  
 Slide the Right Seat (R3) into the Right Backrest (R2).



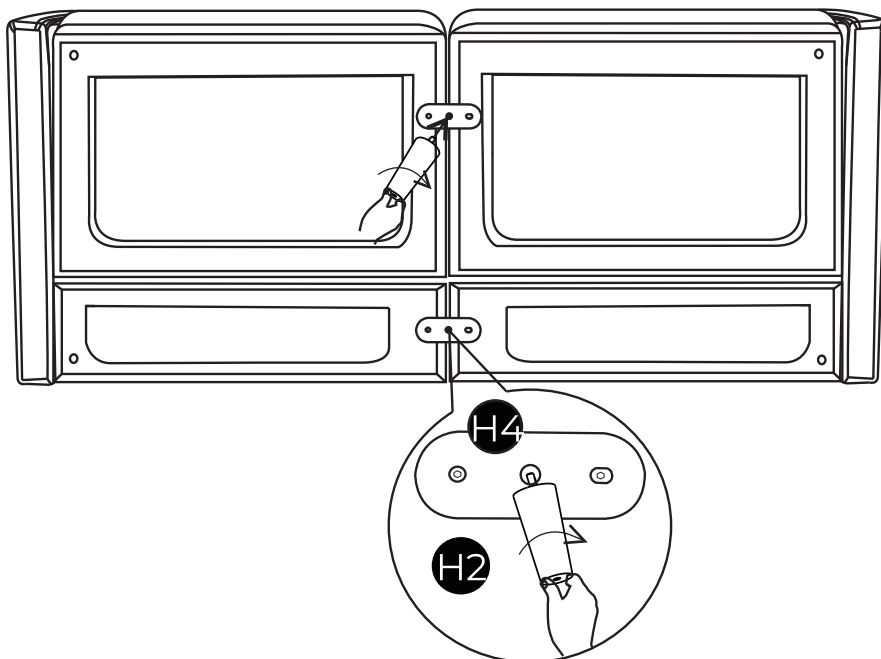
- 3** Place the left and right sections side by side. Once aligned, connect left and right sections, using Seat Connectors (H4), Bolts (H5), and Allen Key (T1). Please note the protruded side of the seat connector should face the bottom fabric and the flat side should face you. Loosely attach the bolts to get the alignment right, rather than fully tightening one before the other. After all bolts are aligned, fully tighten all bolts.



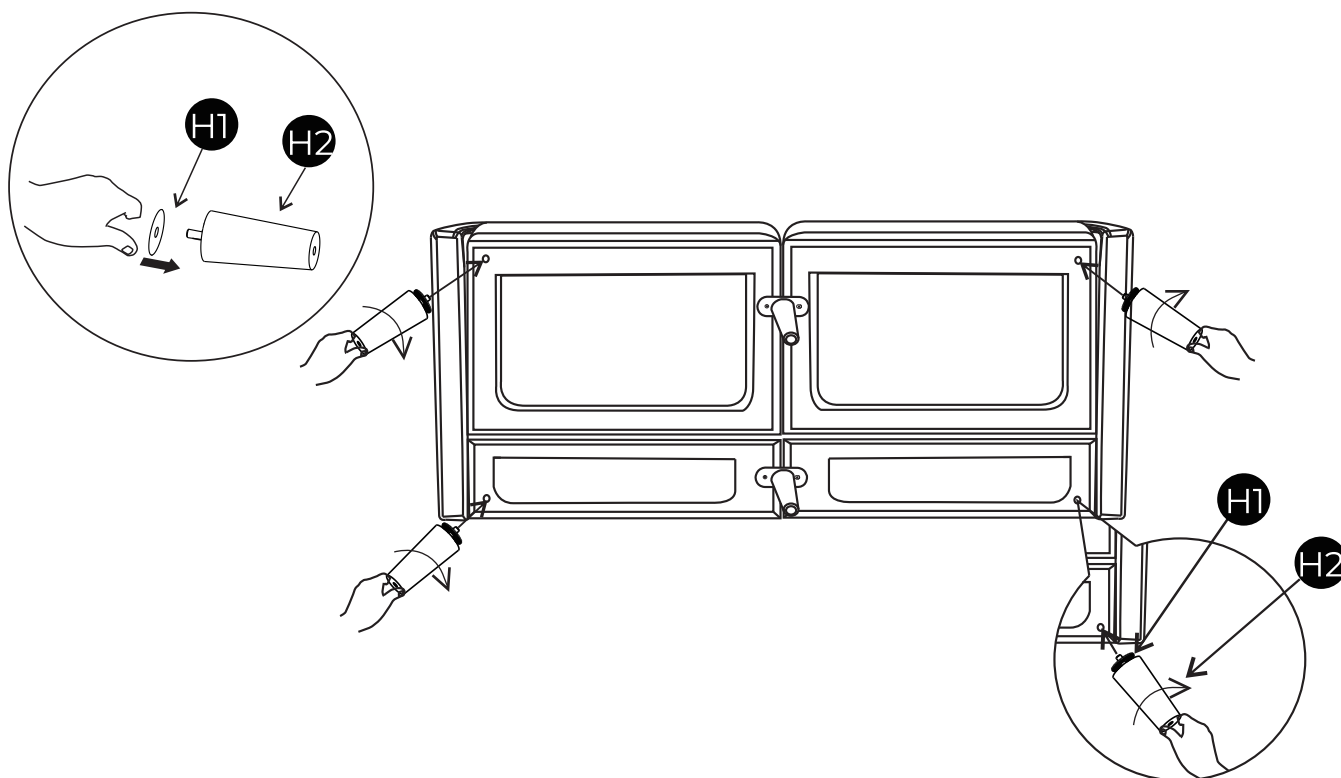
- 4** Slide the Left Arm (L1) into the Left Backrest (L2) and Left Seat (L3). Slide the Right Arm (R1) into the Right Backrest (R2) and Right Seat (R3).



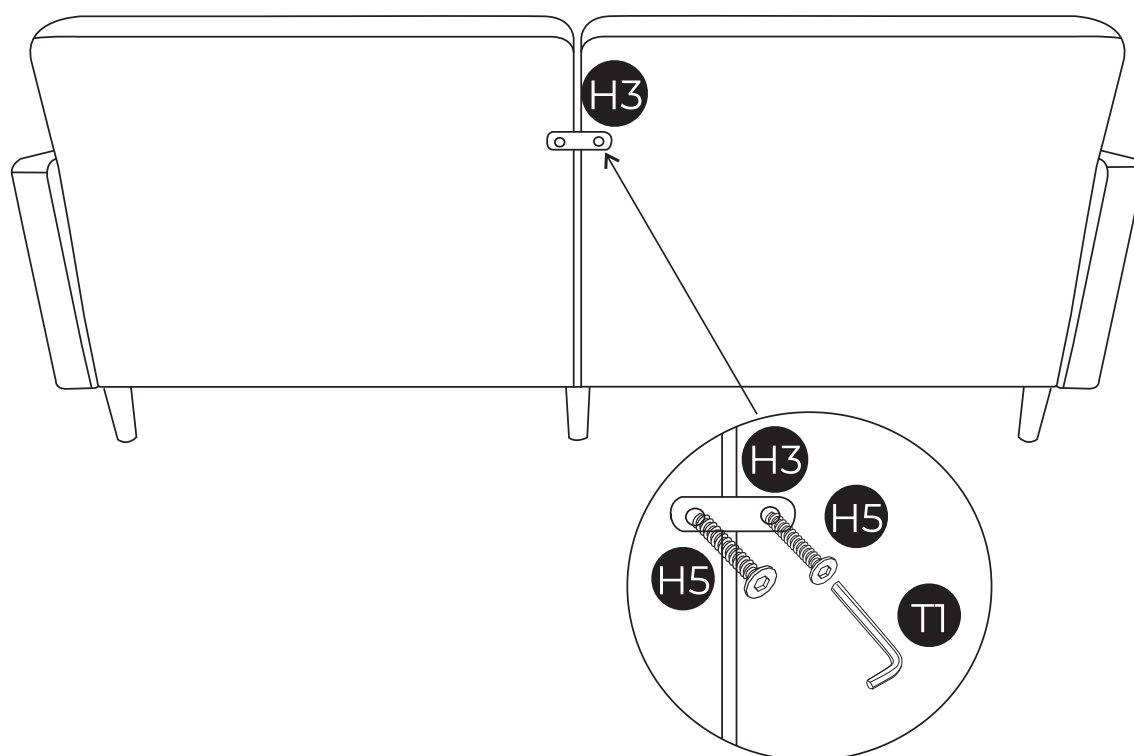
- 5** Rotate the Wood Legs (H2) to the center hole of Seat Connectors (H4). Fully tighten.



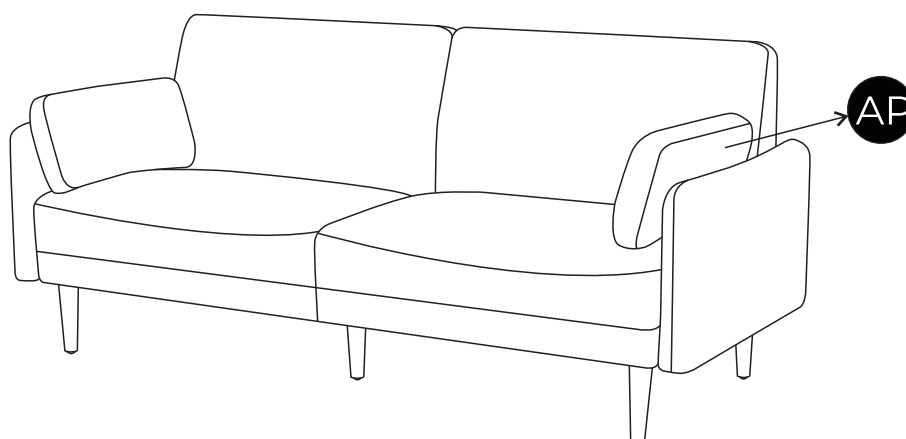
- 6** Slide Washer (H1) into the stud of Wood Leg (H2). Then, rotate the Wood Legs firmly.



- 7** Gently place the sofa in the upright position. It's best to have two people lift the sofa - one at each end - and place it on its legs. Attach the Back Connector (H3), using Bolts (H5) and Allen Key (T1). Loosely attach the bolts to get the alignment right, rather than fully tightening one before the other. After both bolts are aligned, fully tighten all bolts.



- 8** Place the Arm Pillows (AP) on the sofa.



Congratulations. We hope you enjoy your new piece of furniture.