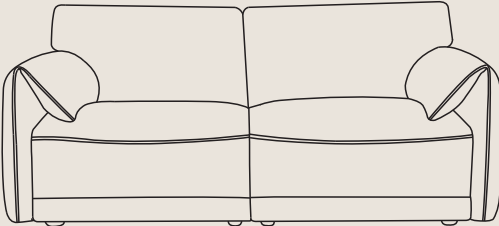
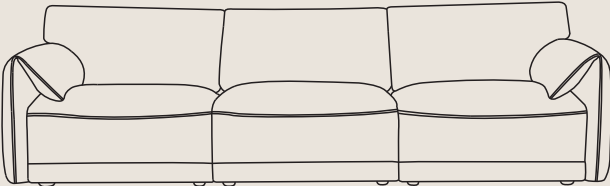


# Specification

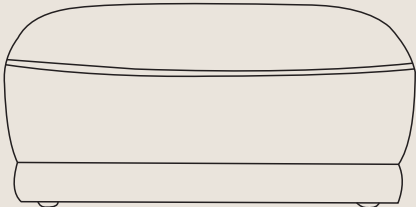
2-PC Sofa



3-PC Sofa



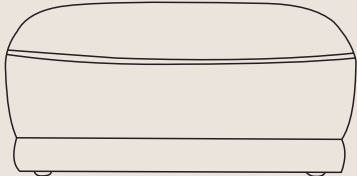
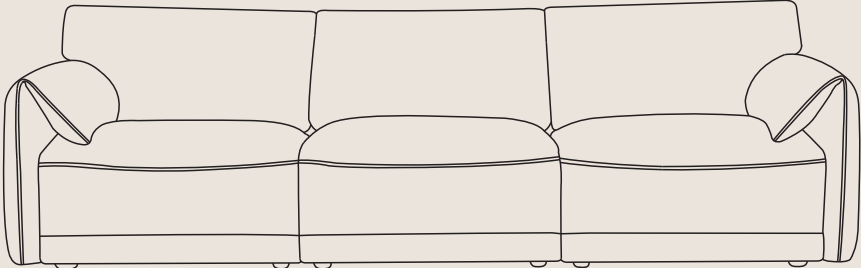
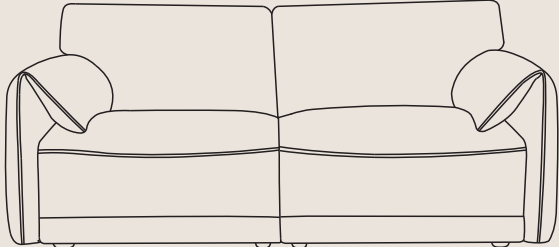
Ottoman



# CHITA®

## Josie Sofa Collection

Different Seating Configurations

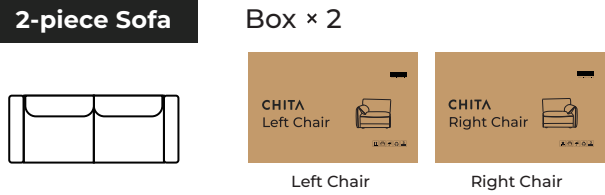


### CAUTION

THIS ASSEMBLY MANUAL CONTAINS IMPORTANT SAFETY INFORMATION.  
PLEASE READ AND KEEP FOR FUTURE REFERENCE.


# Count the boxes.

**2-piece Sofa** Box × 2




Left Chair Right Chair

**3-piece Sofa** Box × 3



Left Chair Right Chair Armless Chair

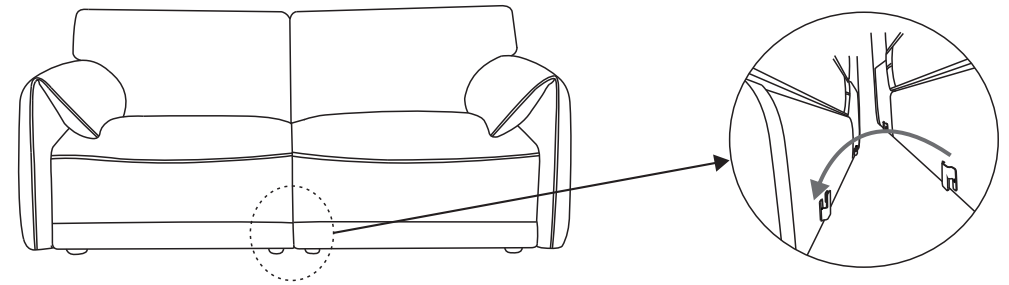
**Ottoman** Box × 1



Ottoman

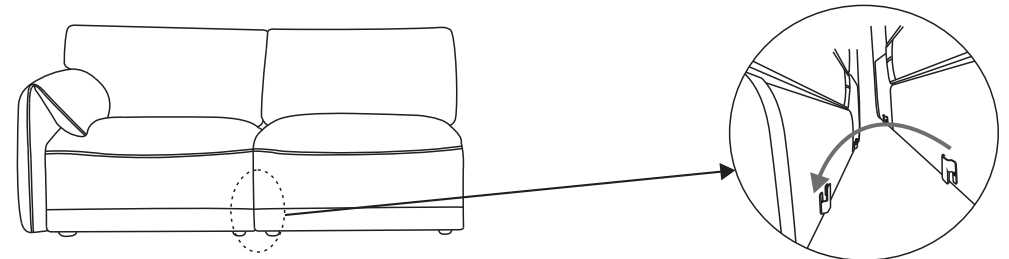
## 2-PC Sofa

Connect Right Chair to Left Chair.

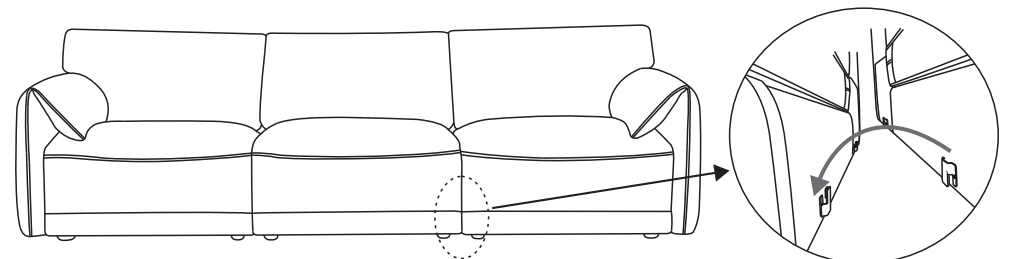


## 3-PC Sofa

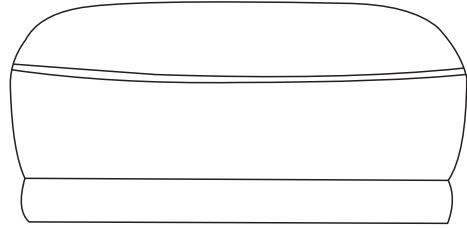
**STEP 1:** Connect Armless Chair to Left Chair.



**STEP 2:** Connect Right Chair to Armless Chair.



## Components



Legs (X4)



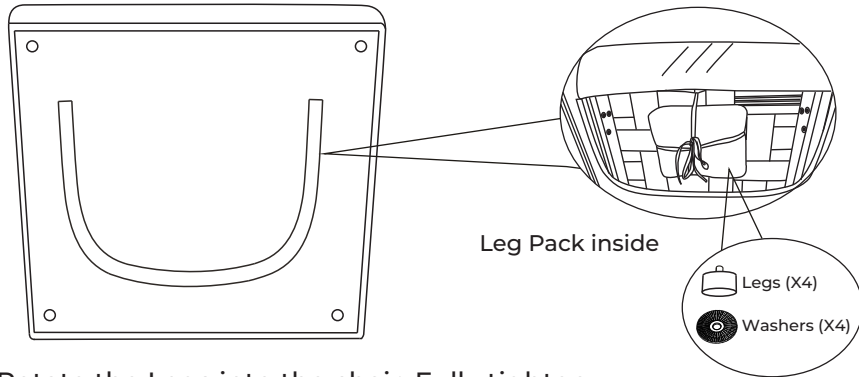
Washers (X4)



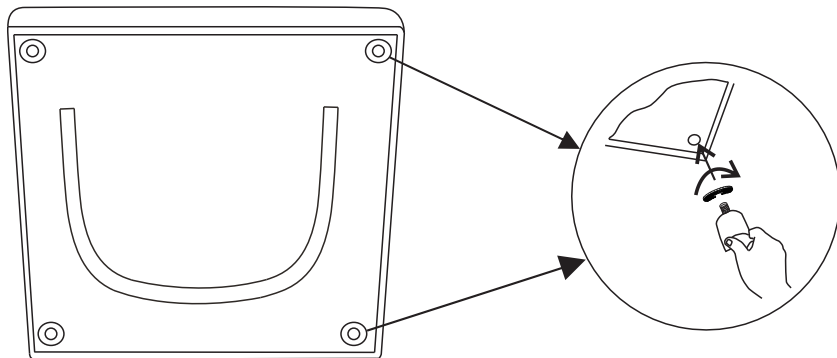
## Ottoman

### Assembly Instructions

- 1 Remove the Leg Pack from the zippered compartment at the bottom of the Ottoman.

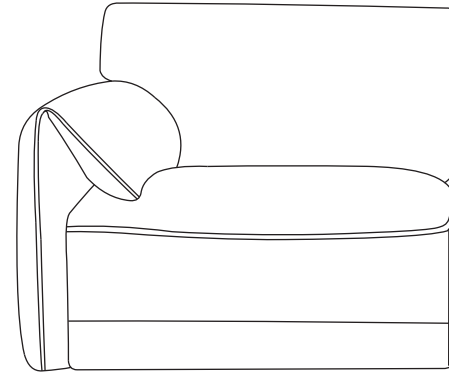


- 2 Rotate the Legs into the chair. Fully tighten.



5

## Components



Legs (X4)



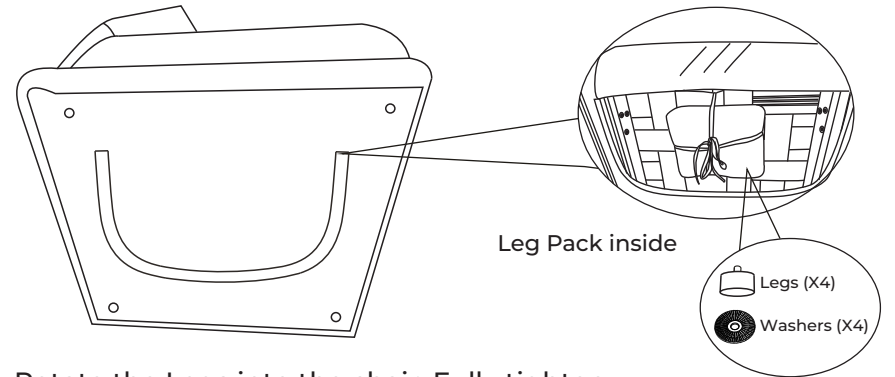
Washers (X4)



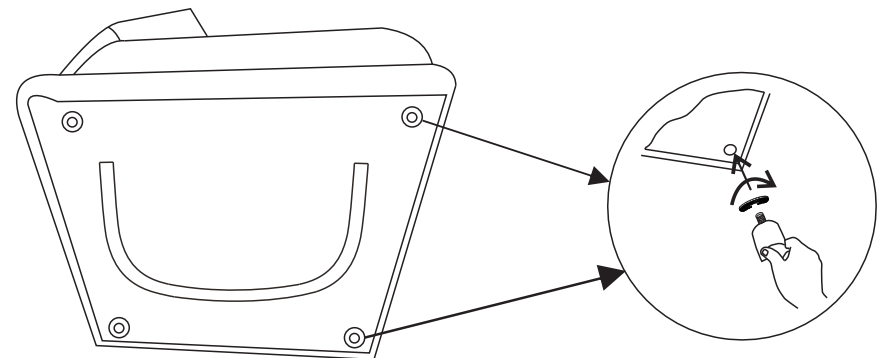
## Left Chair

### Assembly Instructions

- 1 Remove the Leg Pack from the zippered compartment at the bottom of the Left Chair.



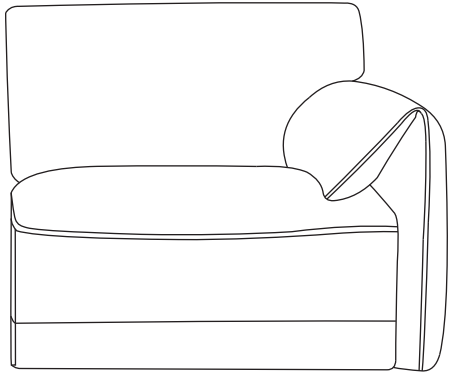
- 2 Rotate the Legs into the chair. Fully tighten.



2

## Right Chair

### Components



Legs (X4)

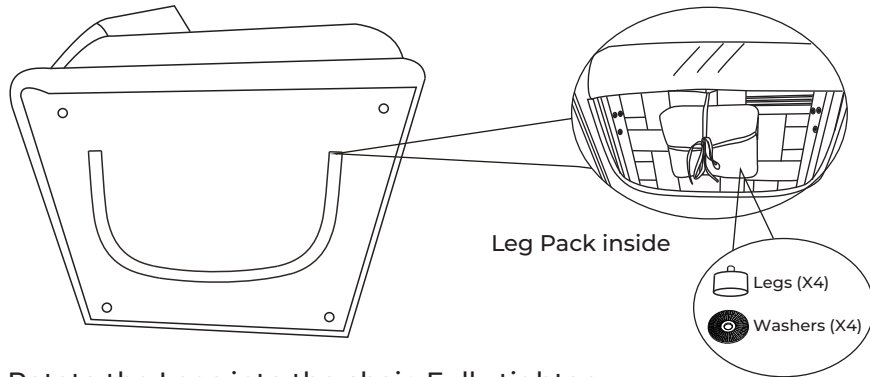


Washers (X4)

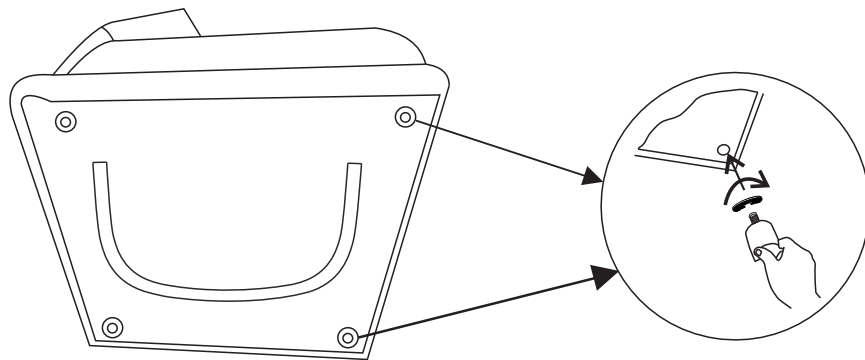


### Assembly Instructions

- 1 Remove the Leg Pack from the zippered compartment at the bottom of the Right Chair.



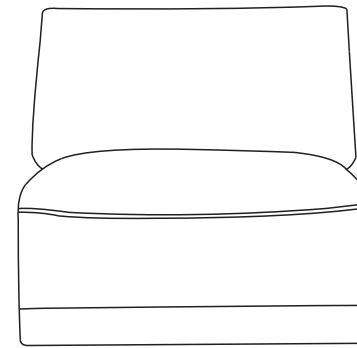
- 2 Rotate the Legs into the chair. Fully tighten.



3

## Armless Chair

### Components



Legs (X4)

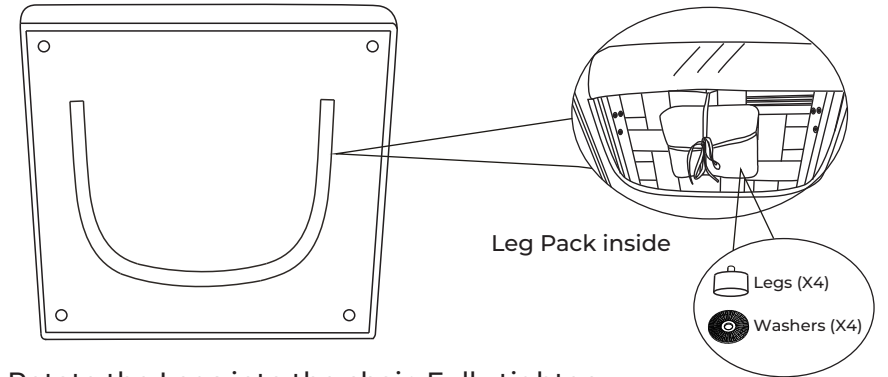


Washers (X4)

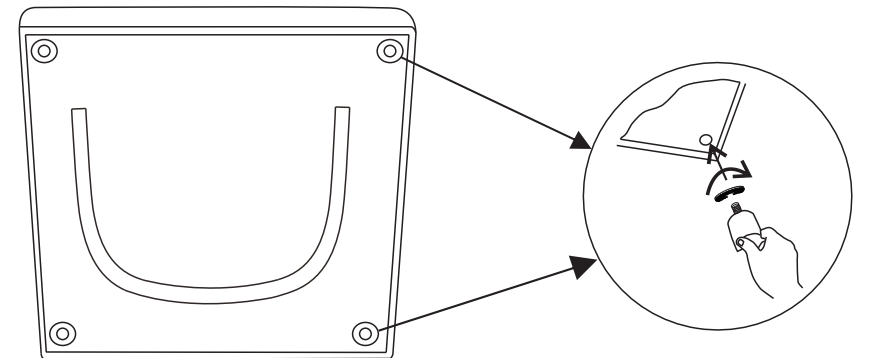


### Assembly Instructions

- 1 Remove the Leg Pack from the zippered compartment at the bottom of the Armless Chair.



- 2 Rotate the Legs into the chair. Fully tighten.



4