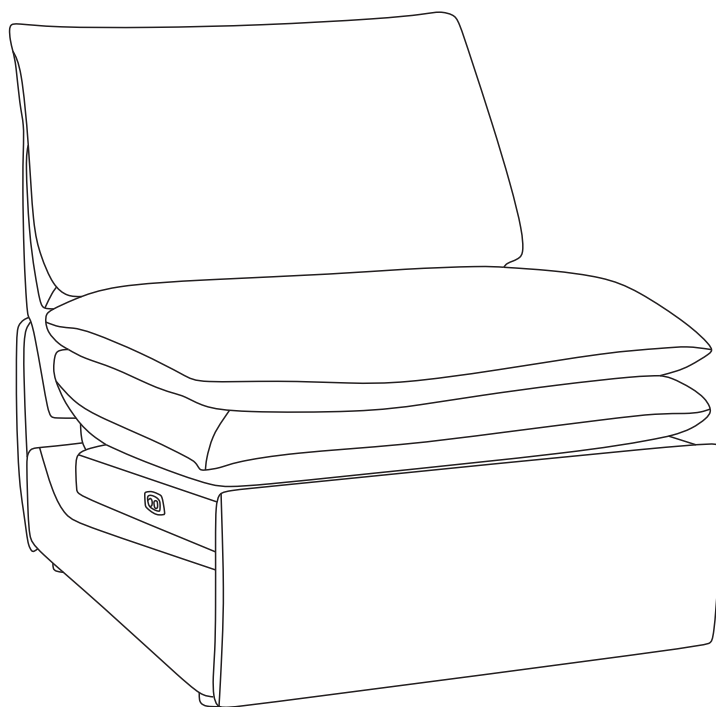
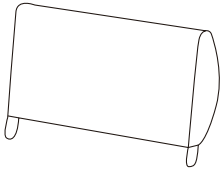
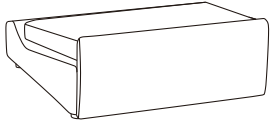
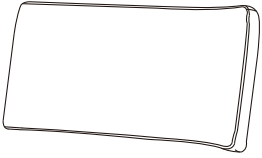
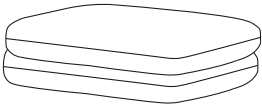
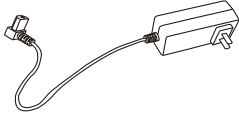
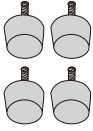


Armless Recliner Ohana Collection **Assembly Manual**

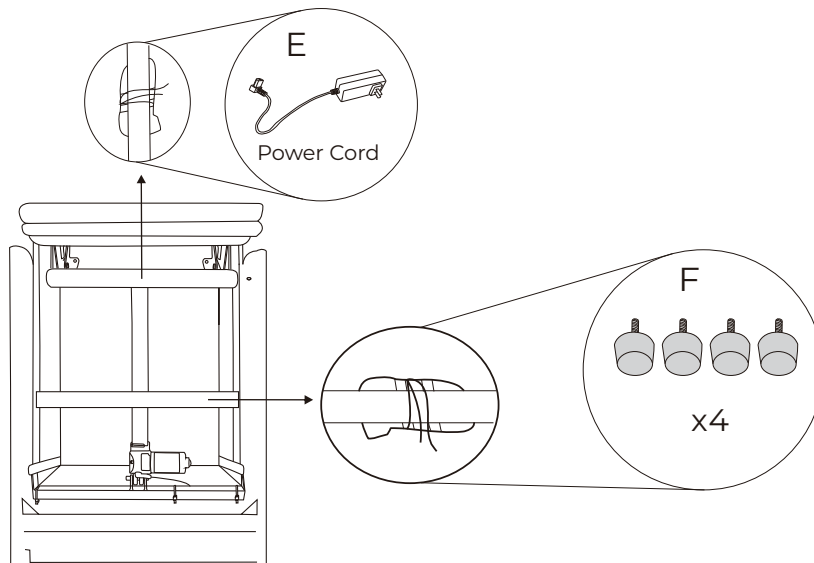


⚠ CAUTION THIS ASSEMBLY MANUAL CONTAINS IMPORTANT SAFETY INFORMATION.
PLEASE READ AND KEEP FOR FUTURE REFERENCE.

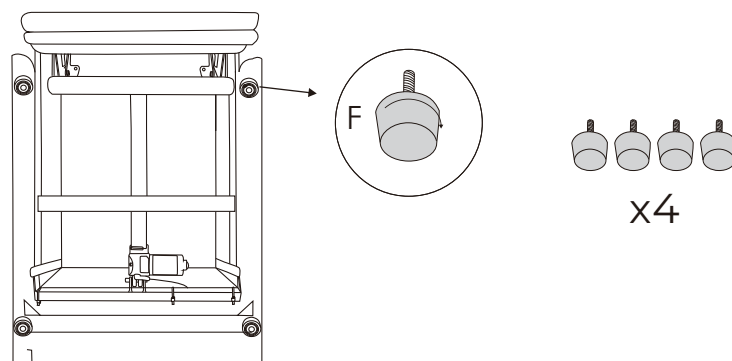
Parts

A  Back	B  Seat	C  Back Cushion
D  Seat Cushion	E  Power Cord	F  Leg x 4

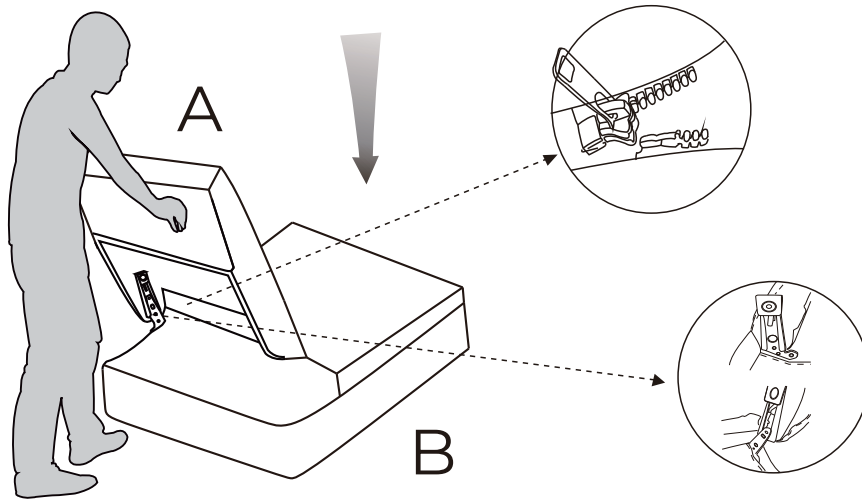
Before you begin: Locate the Power Cord (E) and Legs (F) at the bottom of the chair.



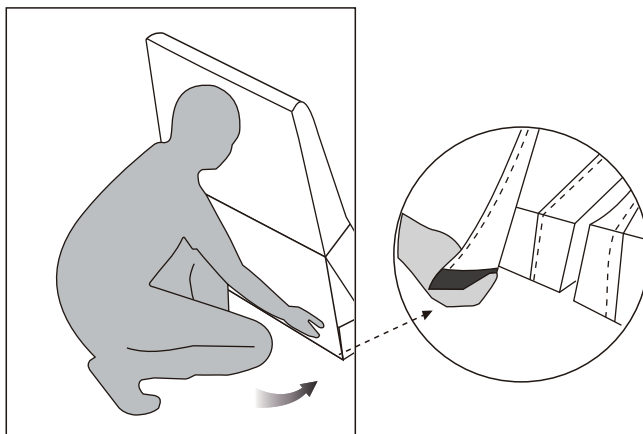
Step 1: Rotate the legs (F) firmly.



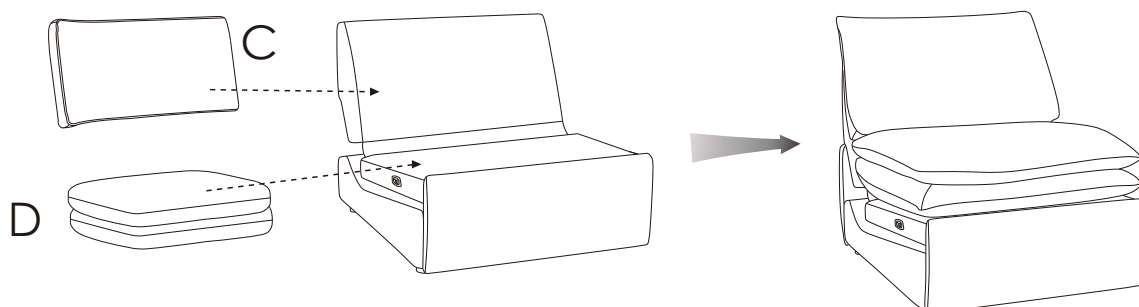
Step 2: Slide the Back (A) into the metallic quick connectors of the Seat (B). Push down the Back (A) firmly until each side is locked into place and an audible “click” is heard. Zip up the bottom of the Back (A) and the Seat (B) together.



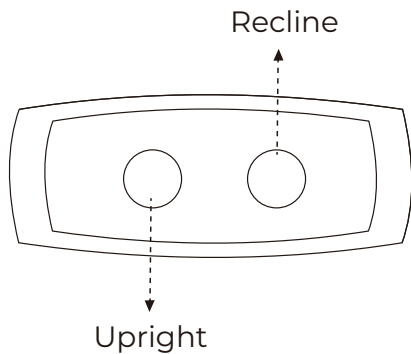
Step 3: Attach the back cover to the bottom of the Seat (B) with Velcro.



Step 4: Fluff the Seat Cushion (D) and Back Cushion (C), and put them on the chair.

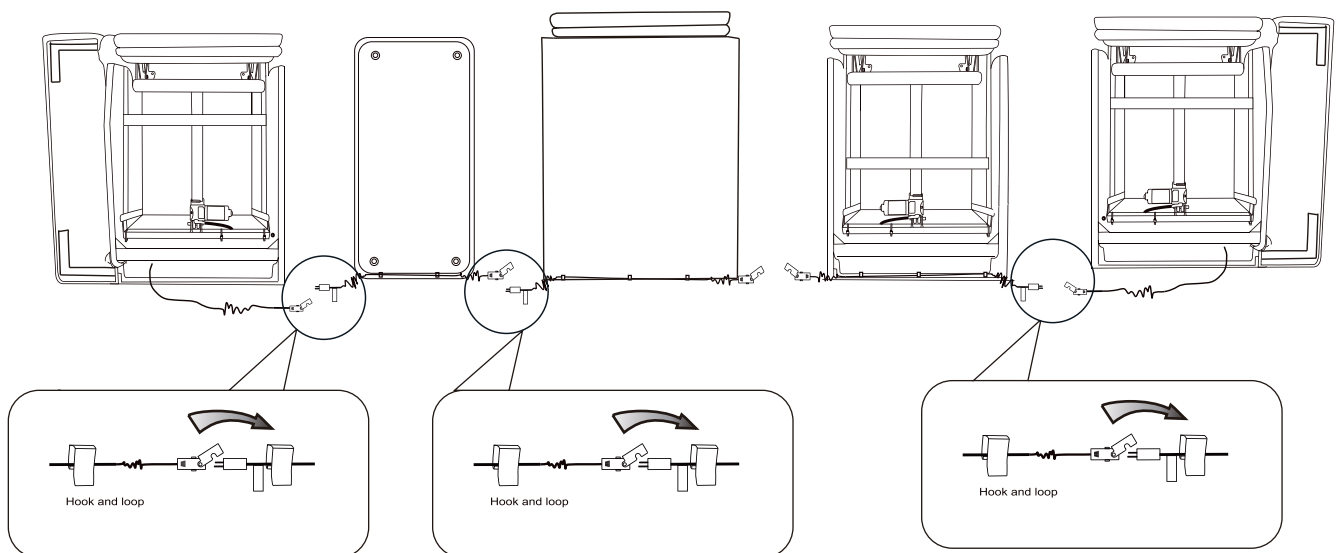


How to Operate



How to Connect

Step 1: Connect the wire piece by piece



Step 2: Connect one end of the Power cord into the DC adaptor located at the back of the seat. Plug the other end of power cord into the power outlet.

Note: After all the connections are made, the green LED will be lit up.

