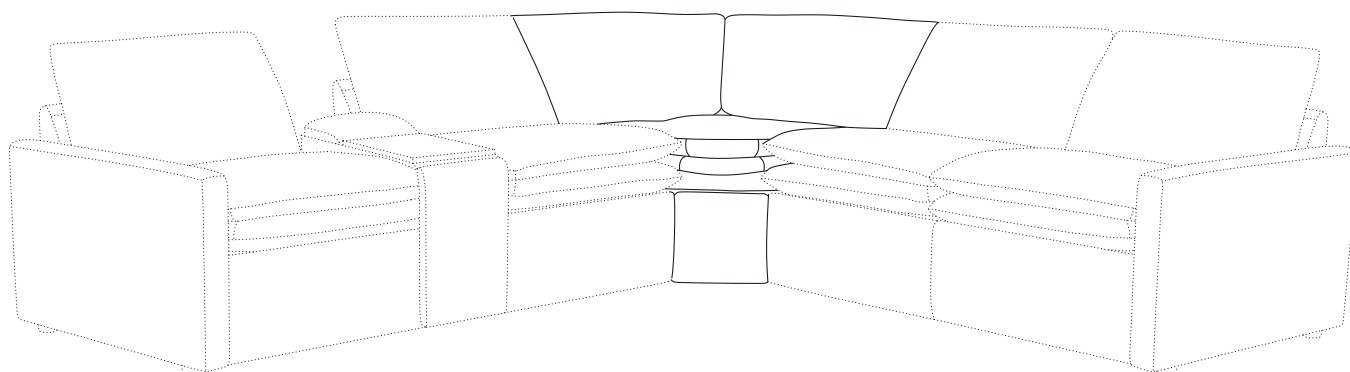
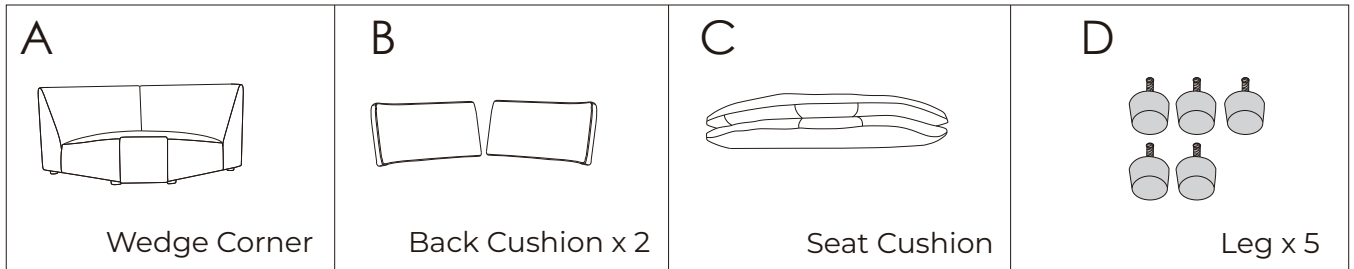


Wedge Corner Ohana Collection **Assembly Manual**

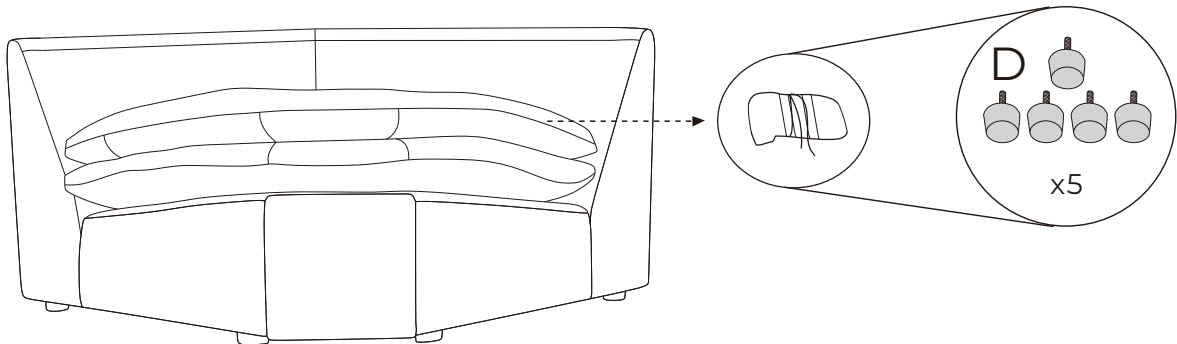


⚠ CAUTION THIS ASSEMBLY MANUAL CONTAINS IMPORTANT SAFETY INFORMATION.
PLEASE READ AND KEEP FOR FUTURE REFERENCE.

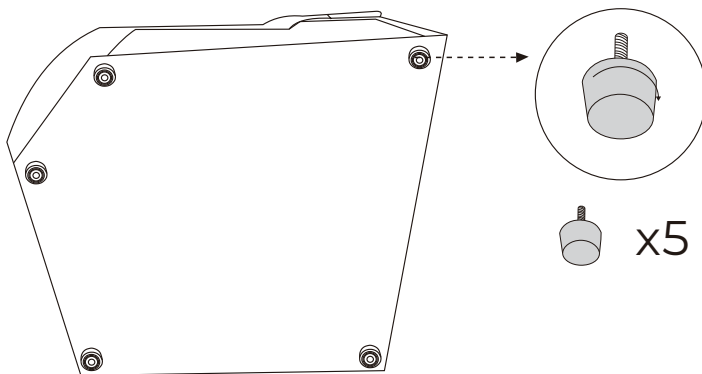
Parts



Before you begin:
Locate the Legs (D) on the seat.



Step 1: Rotate the Legs (D) firmly



Step 2: Fluff the Seat Cushion (C) and Back Cushion (B), and put them on the wedge corner.

