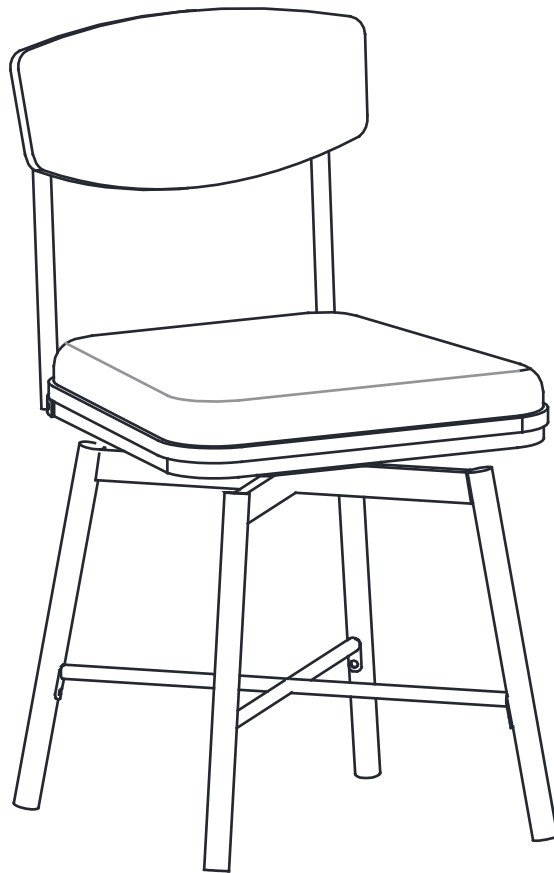


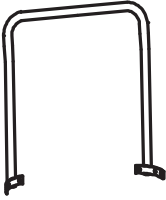


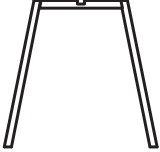
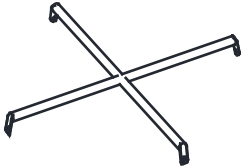

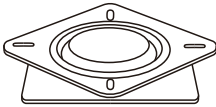



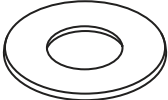

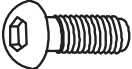
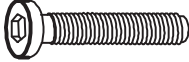
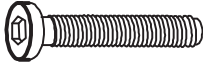
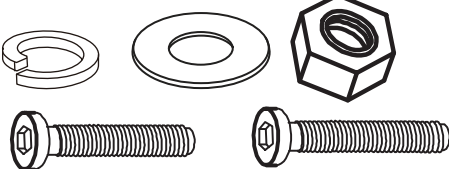

DC72017 Assembly Manual

Swivel Dining Chair



⚠ CAUTION

THIS ASSEMBLY MANUAL CONTAINS IMPORTANT SAFETY INFORMATION.
PLEASE READ AND KEEP FOR FUTURE REFERENCE.

<p>A×1</p>  <p>Metal Back Bracket</p>	<p>B×1</p>  <p>Wood Back Panel</p>	<p>C×1</p>  <p>Leg</p>
<p>D×1</p>  <p>Leg</p>	<p>E×1</p>  <p>Footrest</p>	<p>F×1</p>  <p>Seat Cushion</p>
<p>G×1</p>  <p>Swivel Plate</p>	<p>H×1</p>  <p>Allen Wrench (M4)</p>	<p>I×1</p>  <p>Open-Ended Wrench</p>
<p>J×6</p>  <p>Spring Washer</p>	<p>K×12</p>  <p>Flat Washer</p>	<p>L×6</p>  <p>Nut (φ1/4")</p>
<p>M×12</p>  <p>Bolt (φ1/4" x 12mm)</p>	<p>N×4</p>  <p>Bolt (φ1/4" x 30mm)</p>	<p>O×6</p>  <p>Bolt (φ1/4" x 35mm)</p>
<p>Extra Hardware</p>  <p>Touch-up Pen</p>		<p>P x4</p>  <p>φ 19mm</p>

Please read through the instructions below to familiarize yourself with the parts and steps before assembly.

Make sure all parts and hardware are present before assembly.

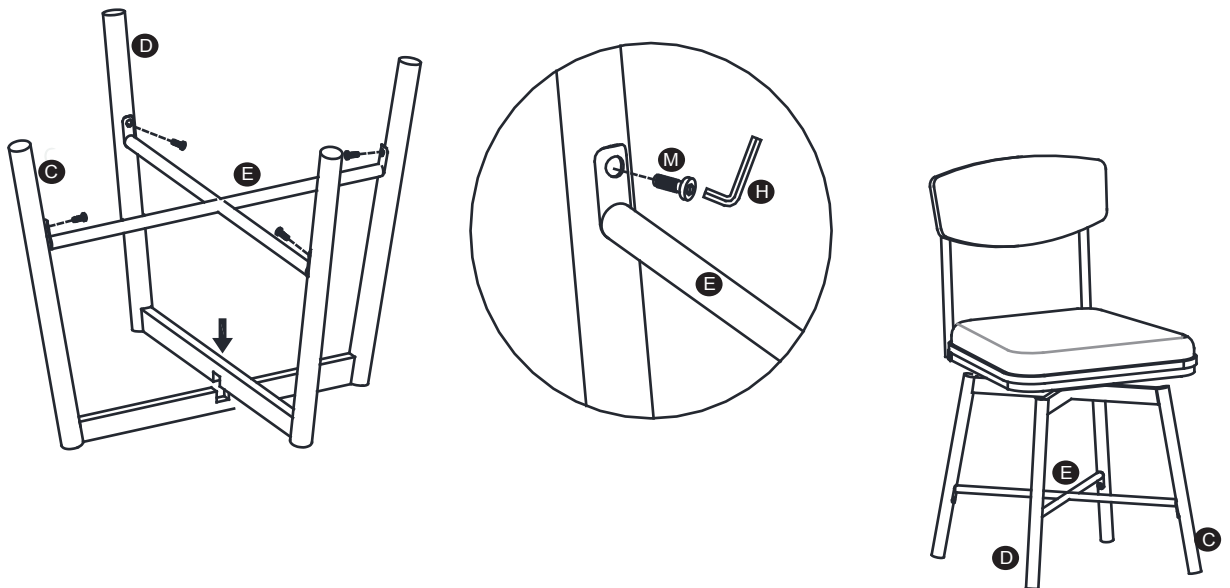
Note: Do NOT use power tools for assembly.

ASSEMBLY INSTRUCTIONS

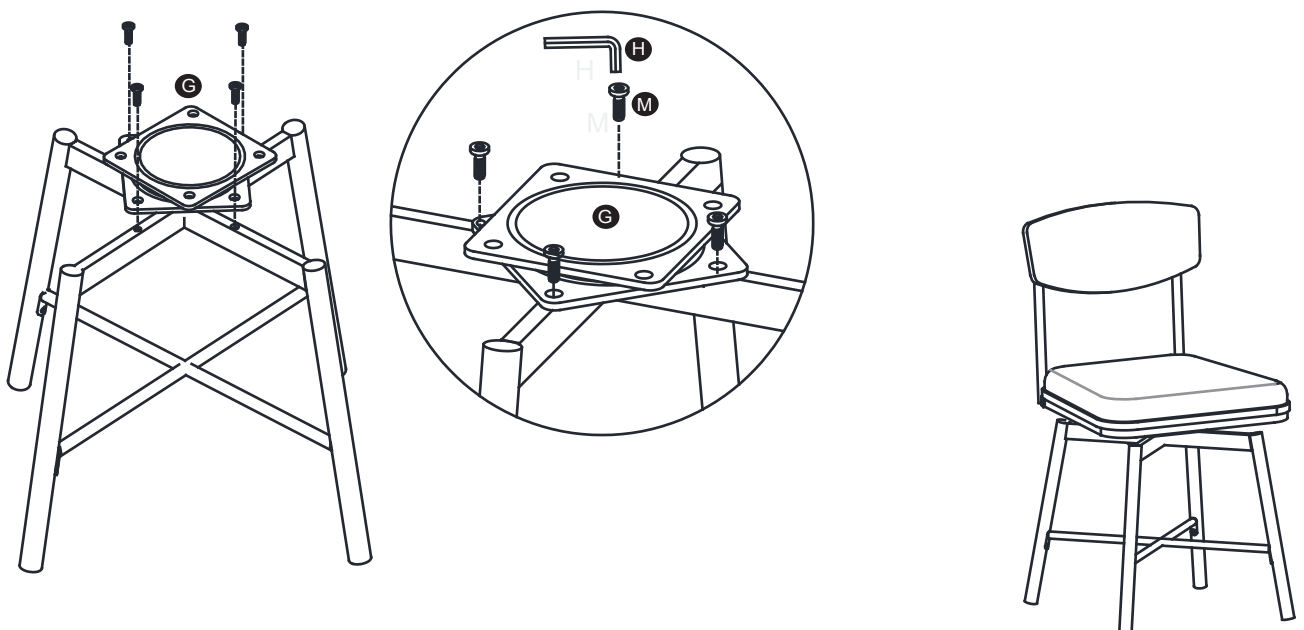
Note: Assemble on a soft and smooth surface to prevent damage to product finish. Do not overtighten bolts to avoid stripping.

- 1 Connect Leg (C) and Leg (D) together Attach Footrest (E) to chair base, using Bolts (M) and Allen Wrench (H).

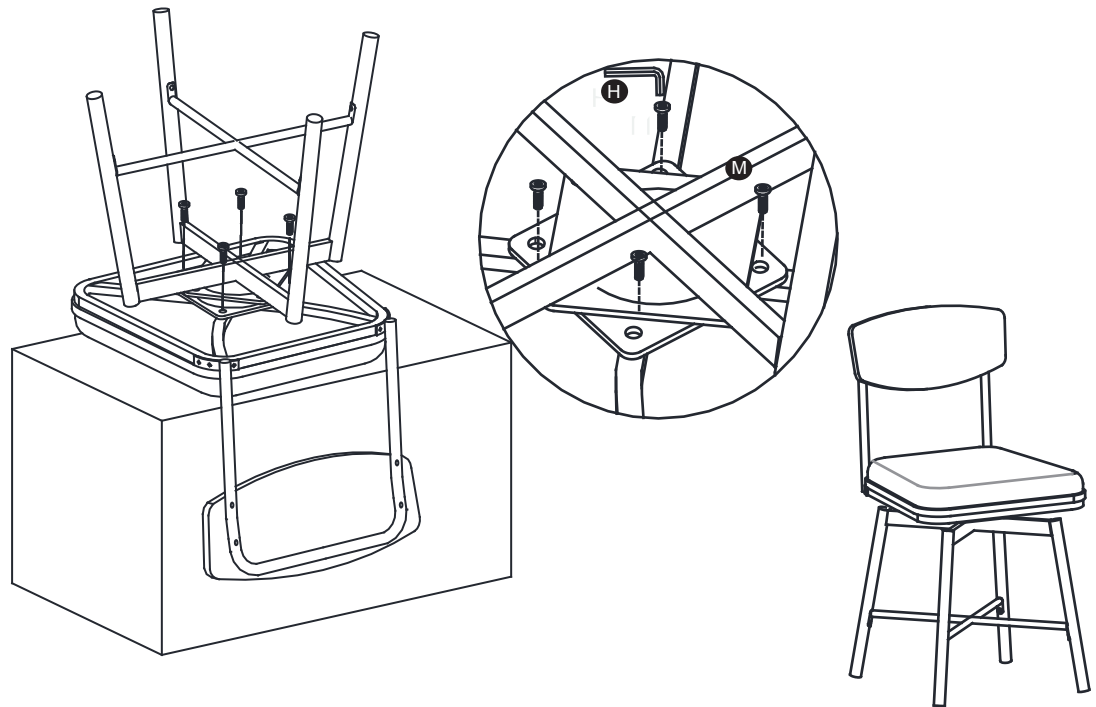
Note: Do not fully tighten bolts.



- 2 Attach Swivel Plate (G) to assembled chair base in Step 1, using Bolts (M). After all 4 bolts are attached, use Allen Wrench (H) to tighten.

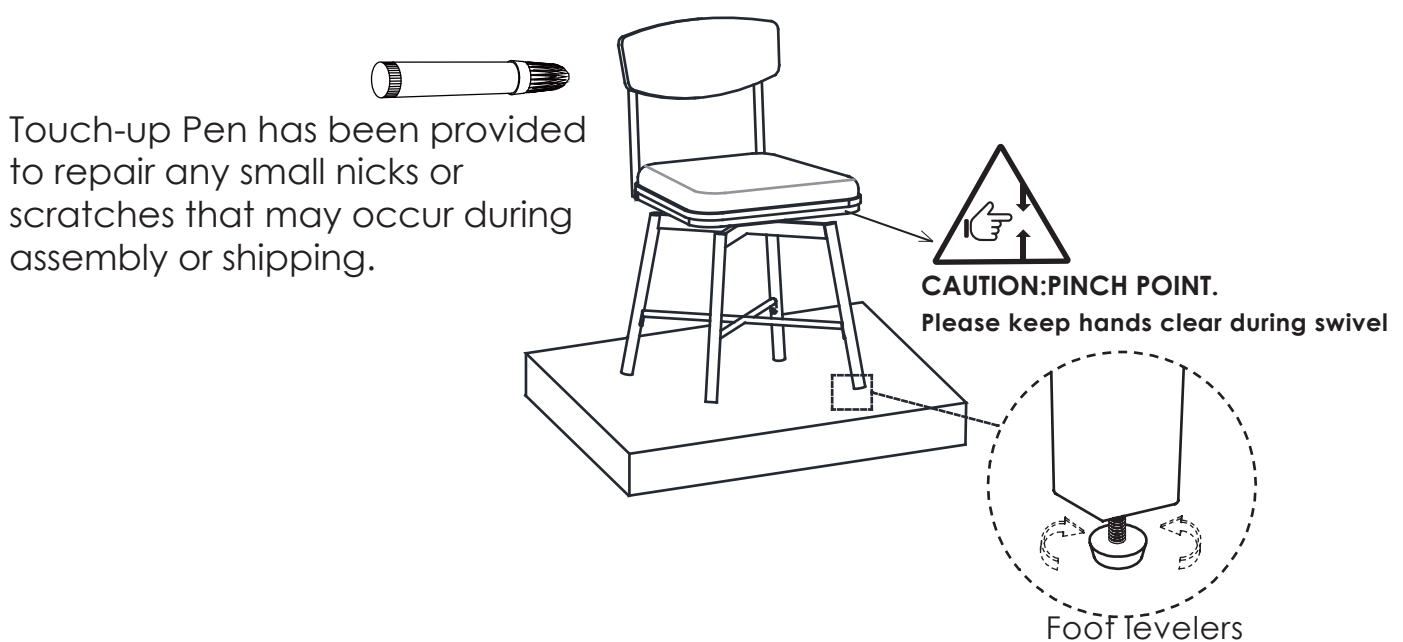


- 5** Attach assembled chair base in Step 2 to assembled seat in Step 4, using Bolts (M). After all 4 bolts are attached, use Allen Wrench (H) to tighten.

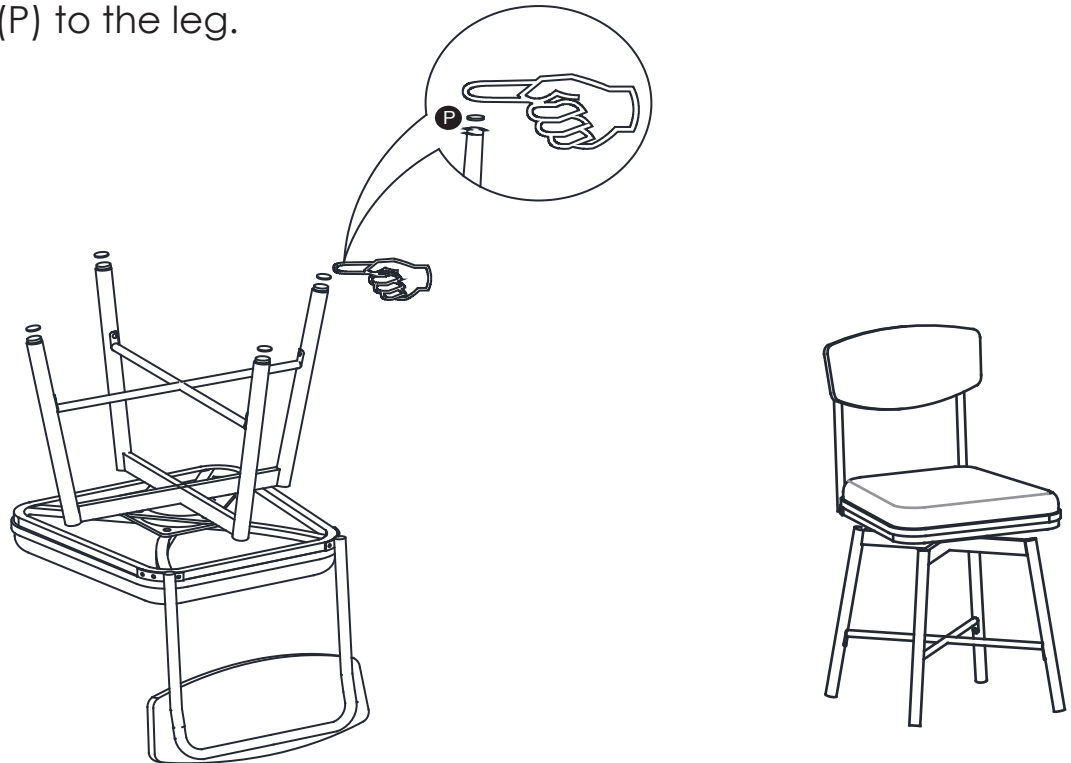


- 6** Put assembled chair on a flat surface. Push legs up or down as necessary to level. **Once level, tighten all bolts.**

Note: Each leg has an adjustable foot leveler to help level your chair.



- 7** Complimentary Felt Pads (P) are included to help protect your floor or make the chair slide easier. If needed, attach the complimentary Felt Pads (P) to the leg.



- 8** Assembly complete. Enjoy.

