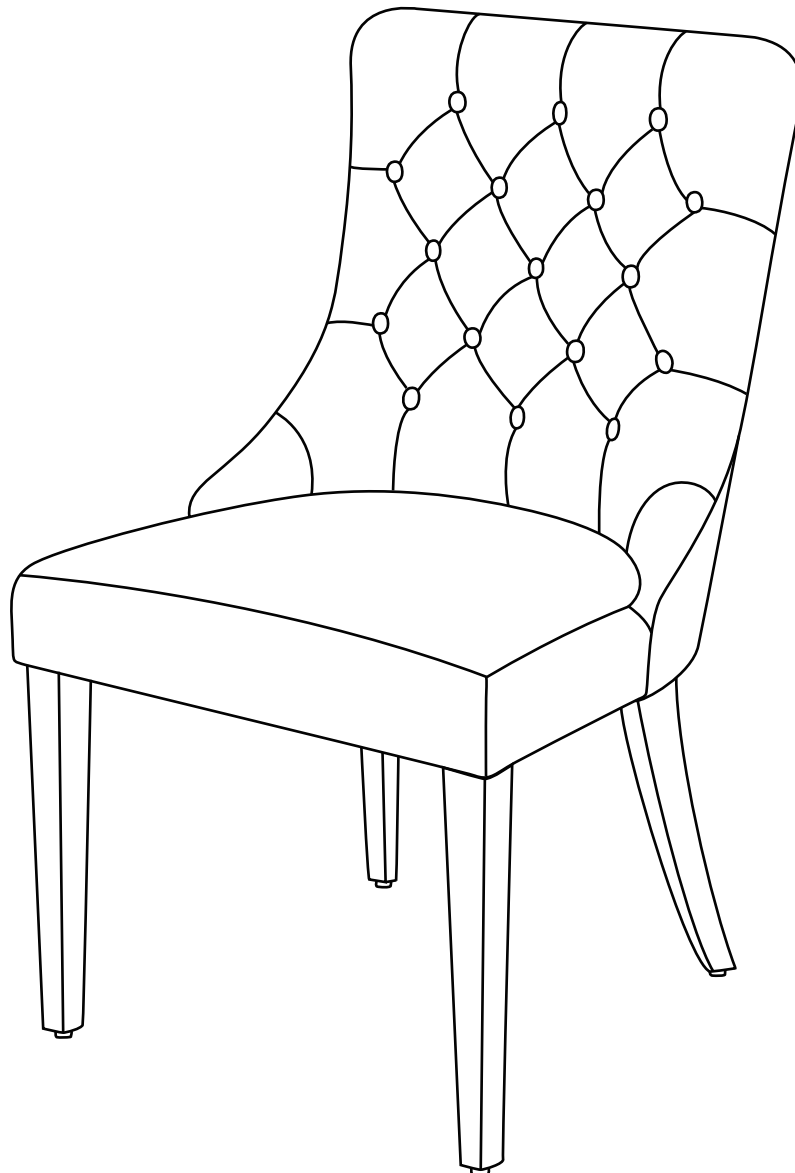
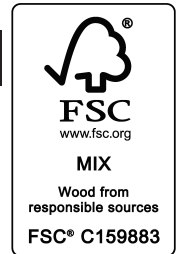


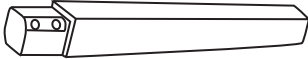
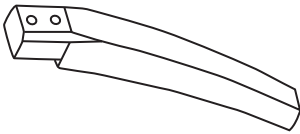
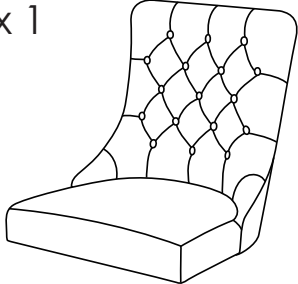
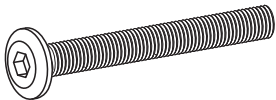
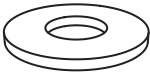
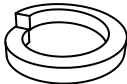
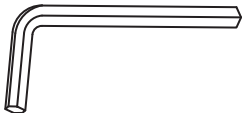
## DC71263 Assembly Manual Dining Chair



**▲ CAUTION**

THIS ASSEMBLY MANUAL CONTAINS IMPORTANT SAFETY INFORMATION.

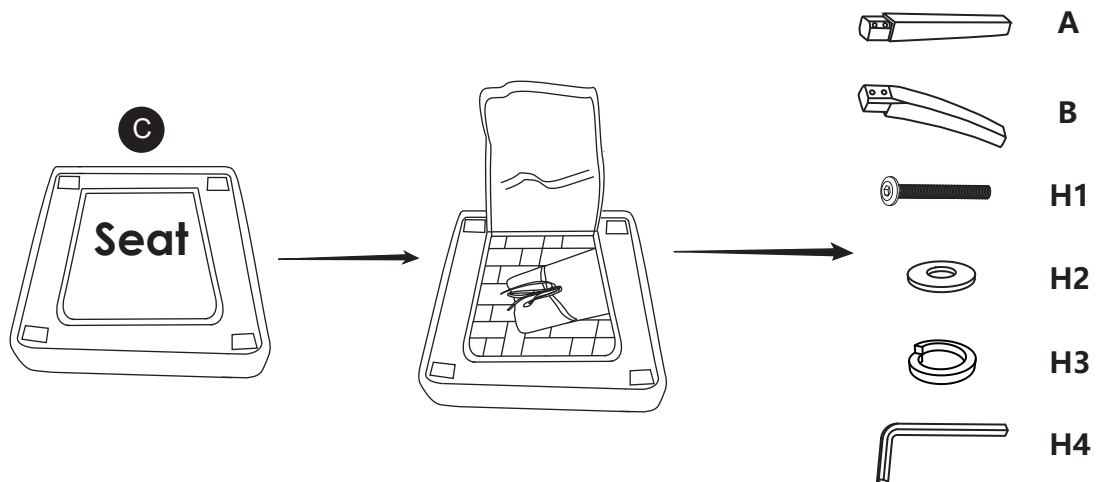
PLEASE READ AND KEEP FOR FUTURE REFERENCE.

<p>A x 2</p>  <p>Front Legs</p>	<p>B x 2</p>  <p>Rear Legs</p>	<p>C x 1</p> 
<p>H1 x 8</p>  <p>M8 x 60 mm</p>	<p>H2 x 8</p> 	<p>H3 x 8</p> 
<p>H4 x 1</p> 		

Please read through the instructions below to familiarize yourself with the parts and steps before assembly.

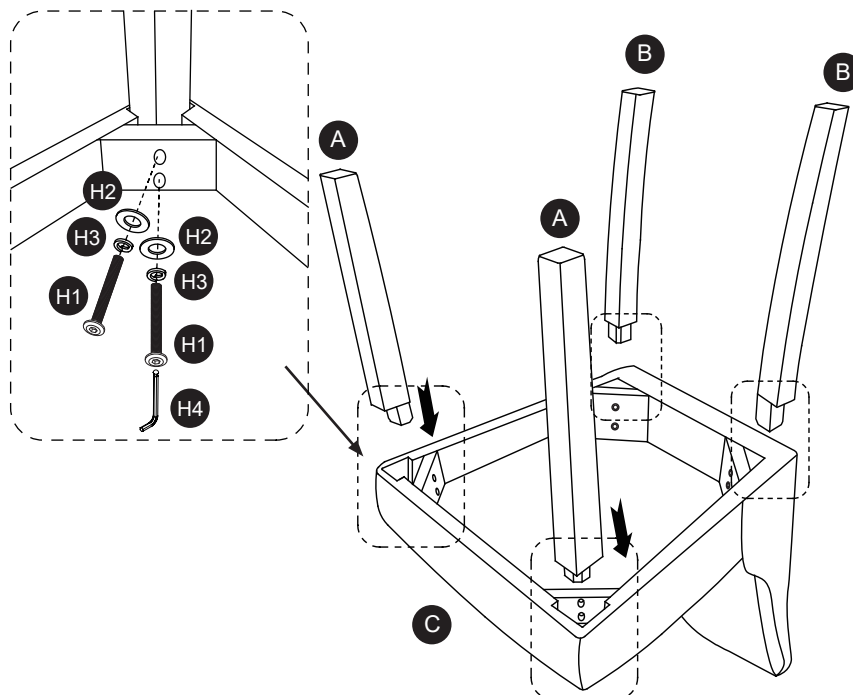
## ASSEMBLY INSTRUCTIONS

- 1 Unzip the bottom of the seat to take out the legs and hardware.

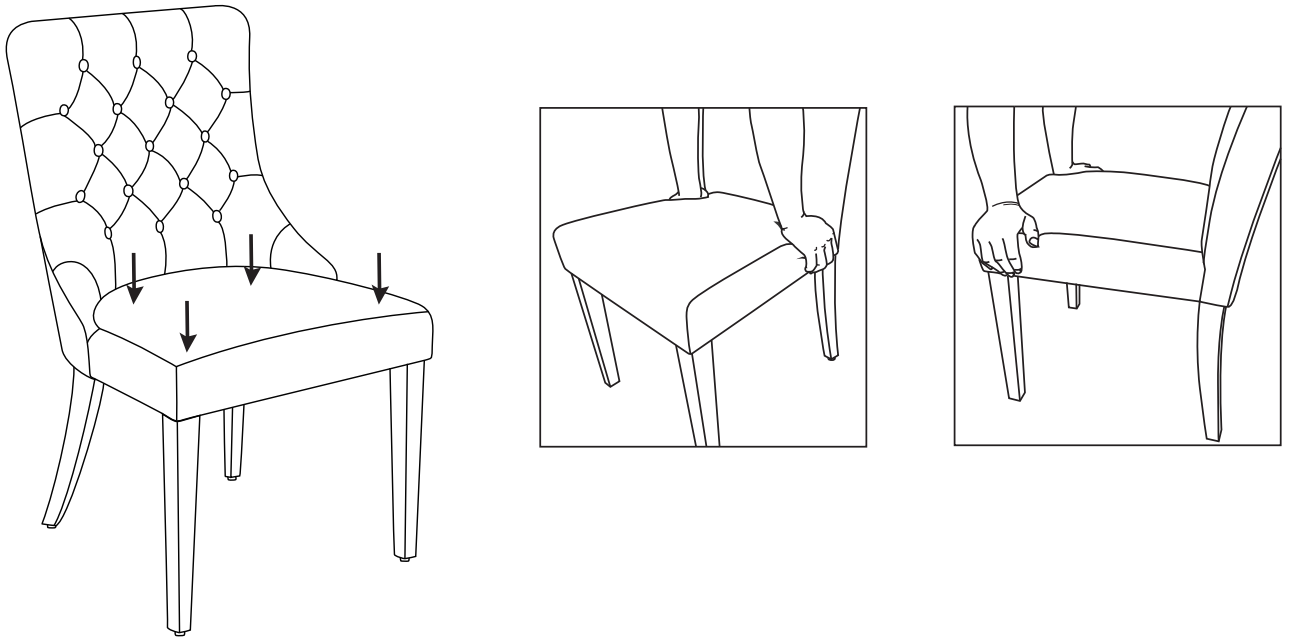


- 2 Attach front legs (A) and rear legs (B) to seat (C), using allen bolts (H1), spring washers (H3), flat washers (H2), and allen wrench (H4).

**Note: Do not fully tighten yet.**

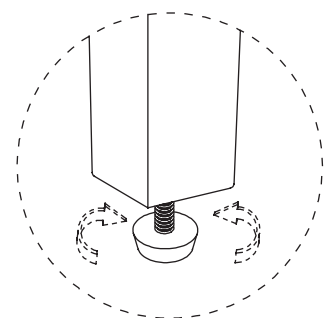
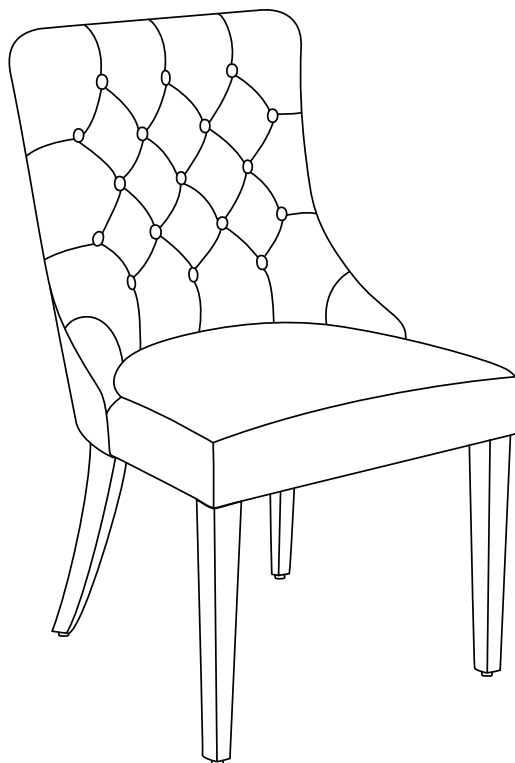


- 3** Turn assembled chair upright and place on a flat surface. Press down firmly to make sure all four feet are level with the floor. Once level, tighten all bolts.



- 4** Assembly complete. Enjoy.

**Note: Each leg has an adjustable foot leveler to help level your chair.**



Foot levelers

## PRODUCT WARRANTY

- 1-year limited on cover.
- 1-year limited on frame construction.
- 1-year limited on cushioning material.

## CARE & MAINTENANCE

Water Based Cleaner 'W': Spot clean using the foam only from a water-based cleaning agent such as a mild detergent or non-solvent upholstery shampoo product. Apply foam with a soft in circular motion.

Vaccum when dry.

Do not place furniture in direct sunlight and keep furniture at least 60 cm / 2 feet from heat sources to avoid fading.

## Follow Us



@chitalivingofficial



@chitaliving



@chitaliving



@chitaliving

---

If at any step you need a helping hand, we're always here for you. You can email us, or hop into a live chat on our website - whatever method is convenient for you.



support@chitaliving.com