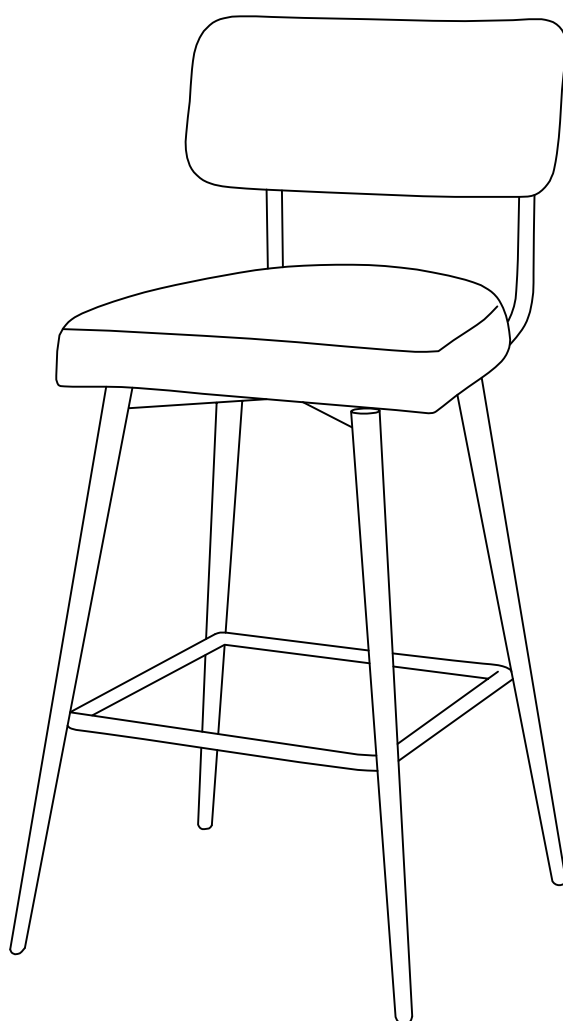


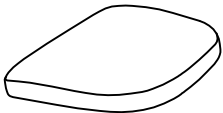

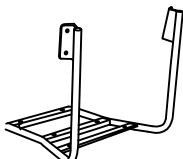
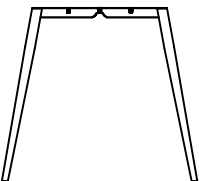
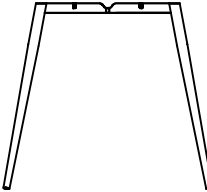

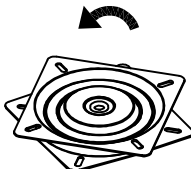
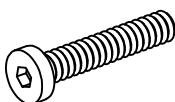


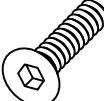
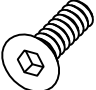




BS72015 Assembly Manual

Counter & Bar Height Swivel Stool



CAUTION

THIS ASSEMBLY MANUAL CONTAINS IMPORTANT SAFETY INFORMATION.
PLEASE READ AND KEEP FOR FUTURE REFERENCE.

<p>Ax1</p> 	<p>Bx1</p> 	<p>Cx1</p> 
<p>Dx1</p> 	<p>Ex1</p> 	<p>Fx1</p> 
<p>Gx1</p> 	<p>Hx4</p>  <p>M6*35mm</p>	<p>Ix5</p>  <p>M6*30mm</p>
<p>Jx2</p>  <p>M6*18mm</p>	<p>Kx4</p>  <p>M6*25mm</p>	<p>Lx4</p>  <p>M6*16mm</p>
<p>Mx11</p>  <p>M6</p>	<p>Nx11</p>  <p>M6</p>	<p>Ox1</p>  <p>4#</p>
<p>Px4</p>  <p>Ø15mm</p>		

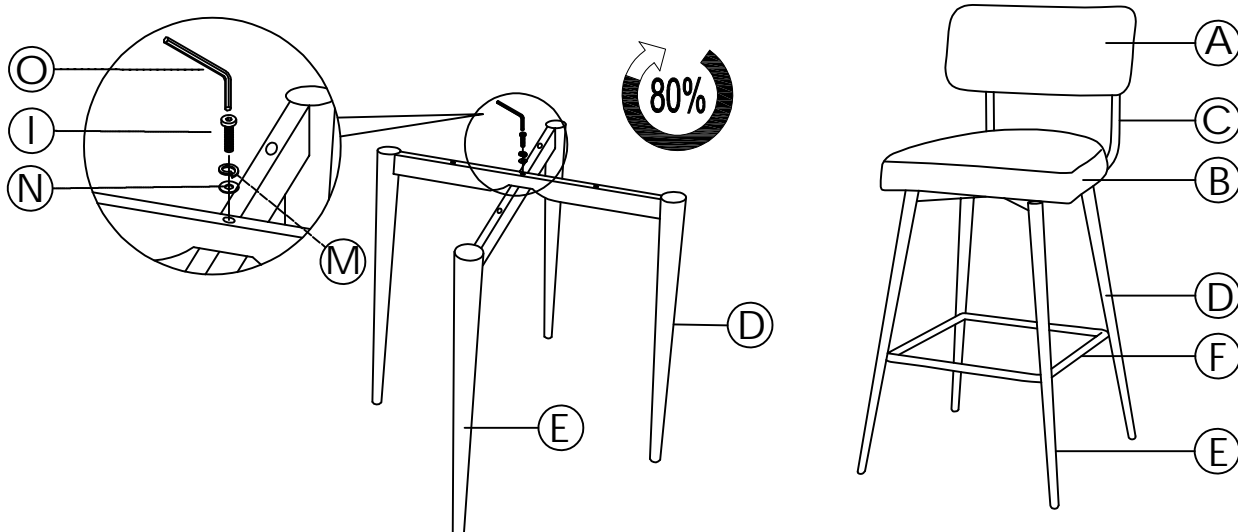
Please read through the instructions below to familiarize yourself with the parts and steps before assembly.

Note: Do NOT use power tools for assembly.

ASSEMBLY INSTRUCTIONS

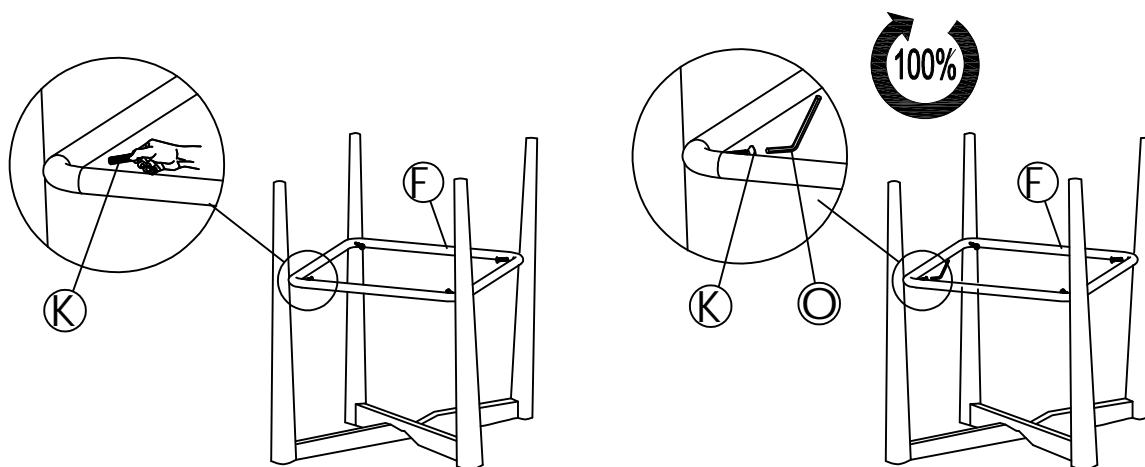
- 1** Unpack and place seat (A), back (B), back frame (C), legs (D&E), foot rest (F), and swivel plate (G) on a clean surface. Attach leg (D) to leg (E), using bolt (I), lock washer (M), flat washer (N) and allen wrench (O).

Note: Do NOT fully tighten yet.



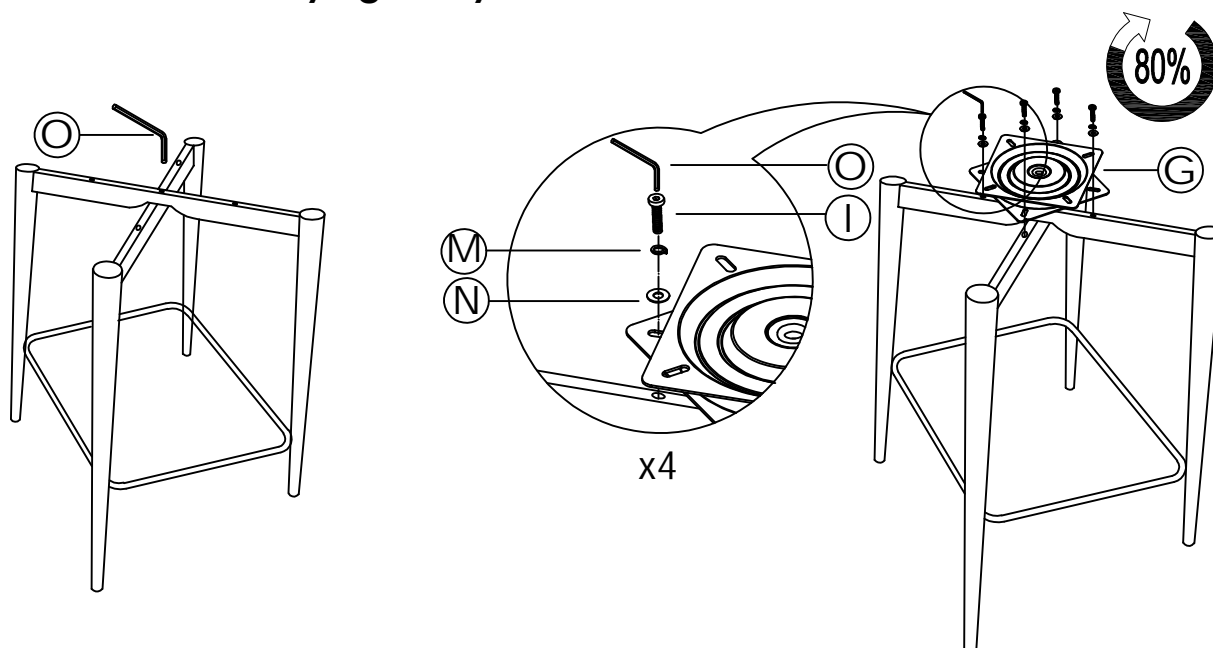
- 2** Loosely attach bolts (K) one by one and **keep them loose. Do not fully tighten.** After loosely attach the first bolt, move on to the diagonal bolt. After all 4 bolts are attached, use allen wrench (O) to tighten.

Note: Do NOT use power tools for assembly.

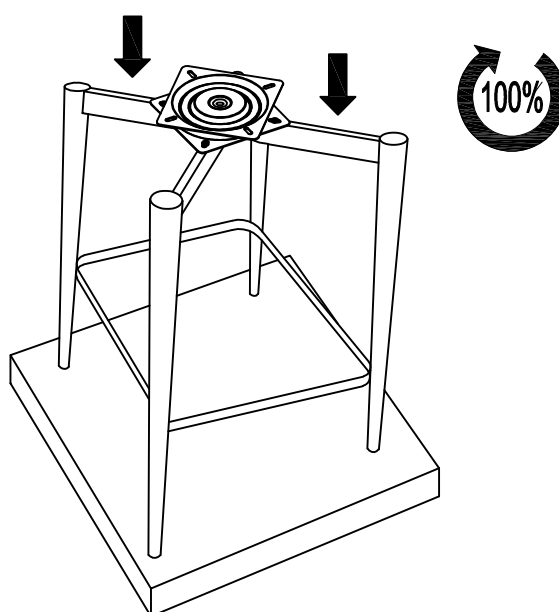


- 3 Fully tighten bolt (I) in step 1 with allen wrench (O). Then attach swivel plate (G) to assembled legs in step 2, using bolts (I), lock washers (M), flat washers (N) and allen wrench (O).

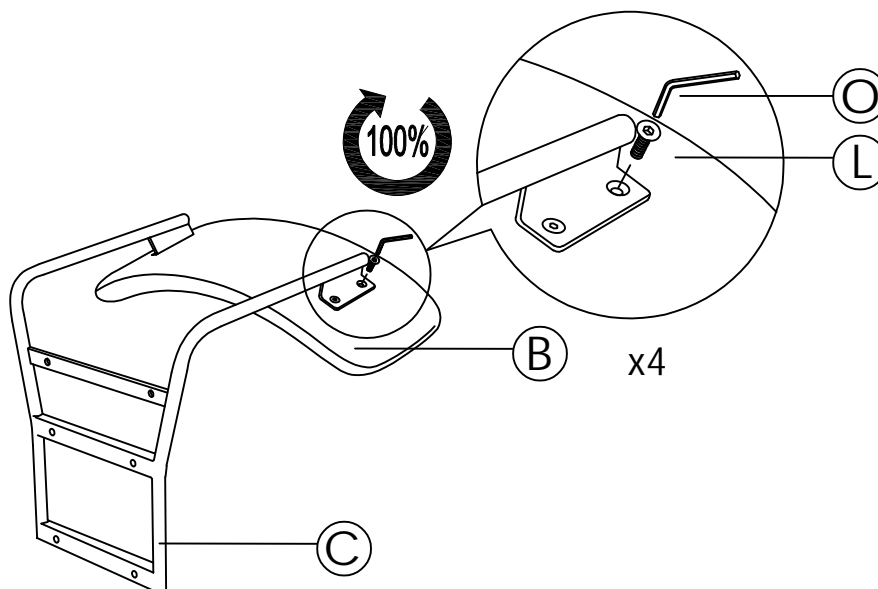
Note: Do not fully tighten yet.



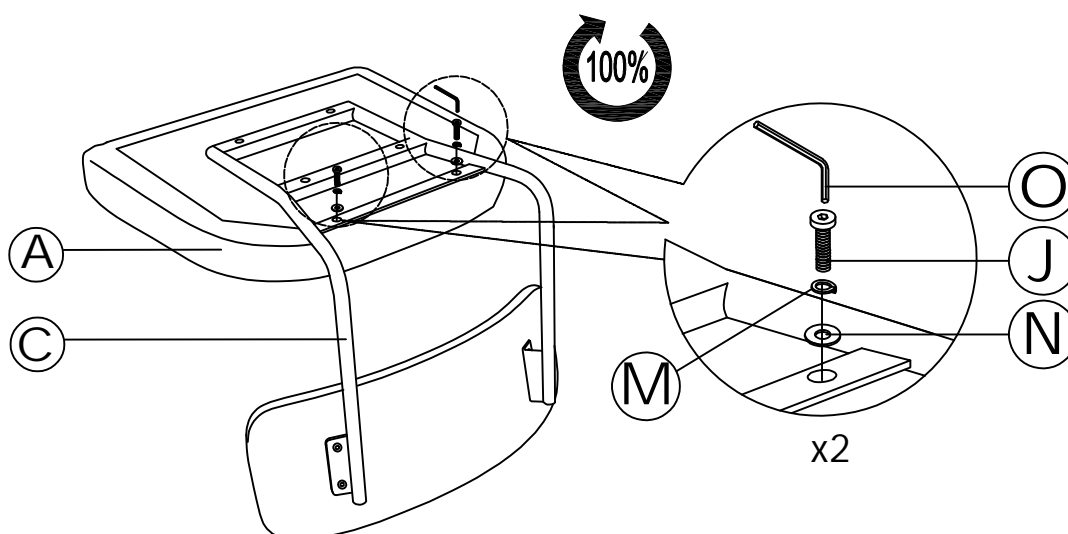
- 4 Put assembled legs in step 3 on a flat surface. Push legs up or down as necessary to level. **Once level, tighten all bolts.**



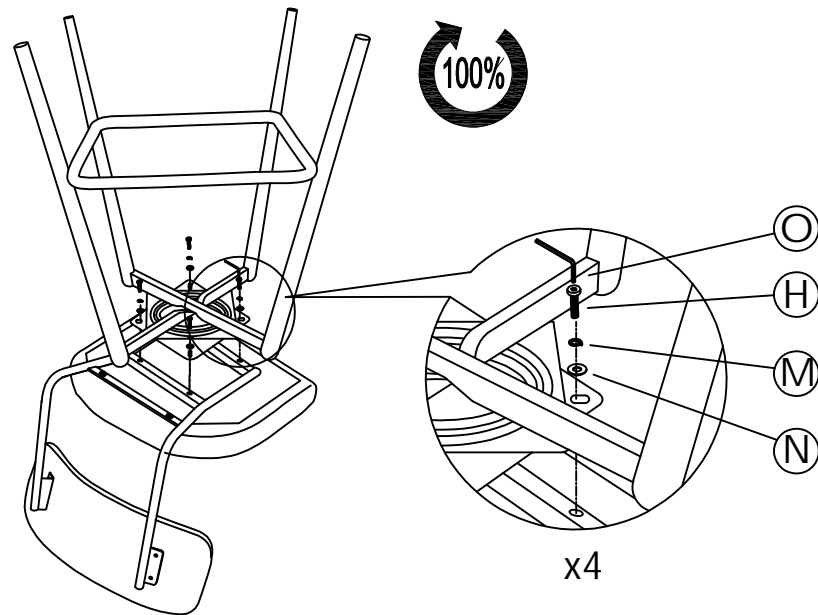
- 5 Attach back frame (C) to backrest (B), using bolts (L) and allen wrench (O). **Tighten all bolts.**



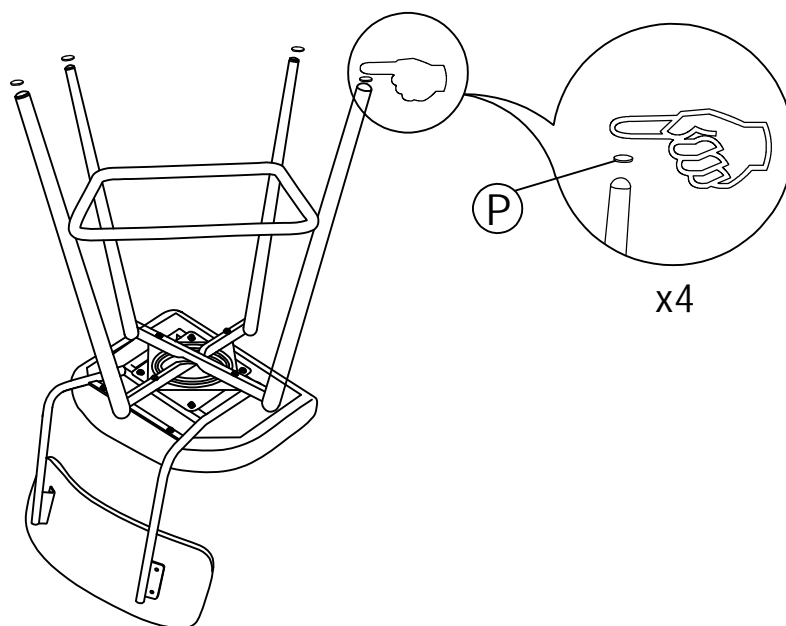
- 6 Attach back frame (C) to seat (A), using bolts (J), lock washers (M), flat washers (N) and allen wrench (O).



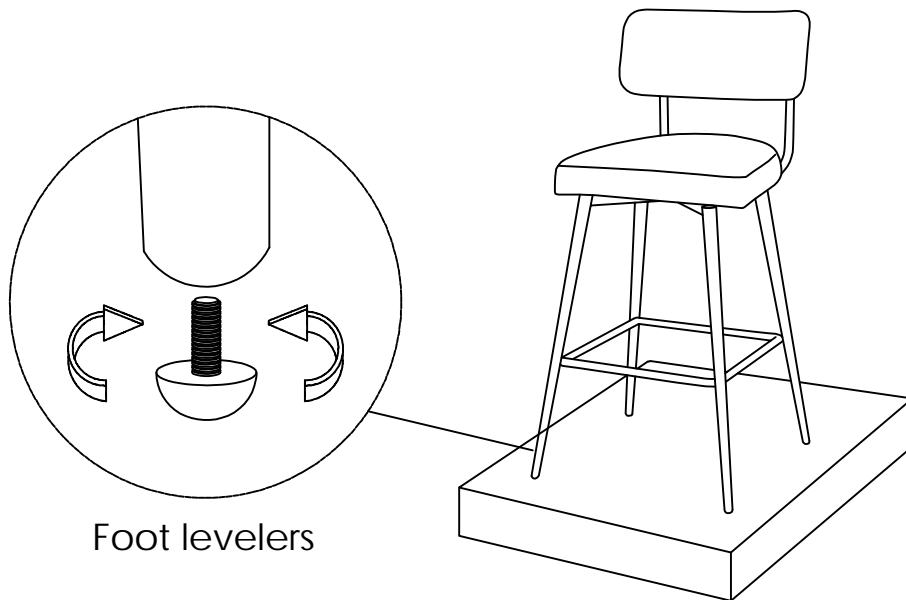
- 7 Turn assembled leg base in step 4 upside down and attach it to assembled seat in step 6, using bolts (H), lock washers (M), flat washers (N) and allen wrench (O). **Tighten all bolts.**



- 8 Complimentary felt pads (P) are included to help protect your floor or make the stool slide easier.



- 9 Turn assembled stool upright and place on a flat surface.
Note: Each leg has an adjustable foot leveler to help level your stool.



- 10 Assembly complete. Enjoy.

