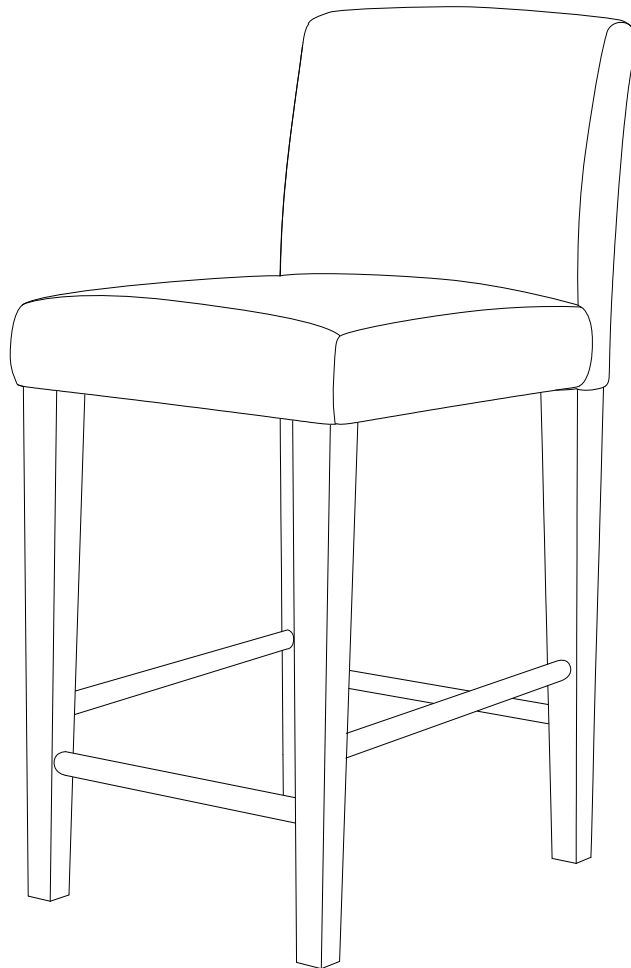


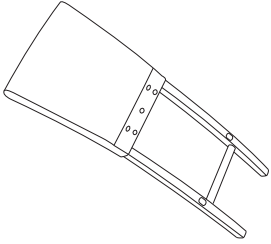
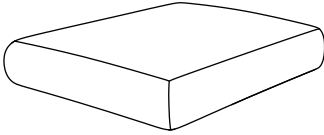
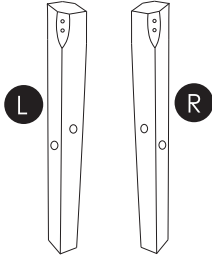

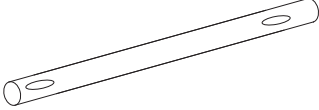
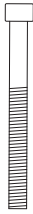
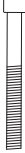
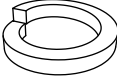

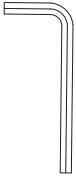

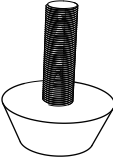
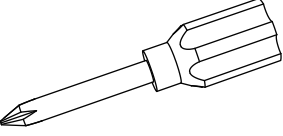
# Assembly Manual for KF-Y1233 Counter & Barstool



**⚠ CAUTION**

THIS ASSEMBLY MANUAL CONTAINS IMPORTANT SAFETY INFORMATION.

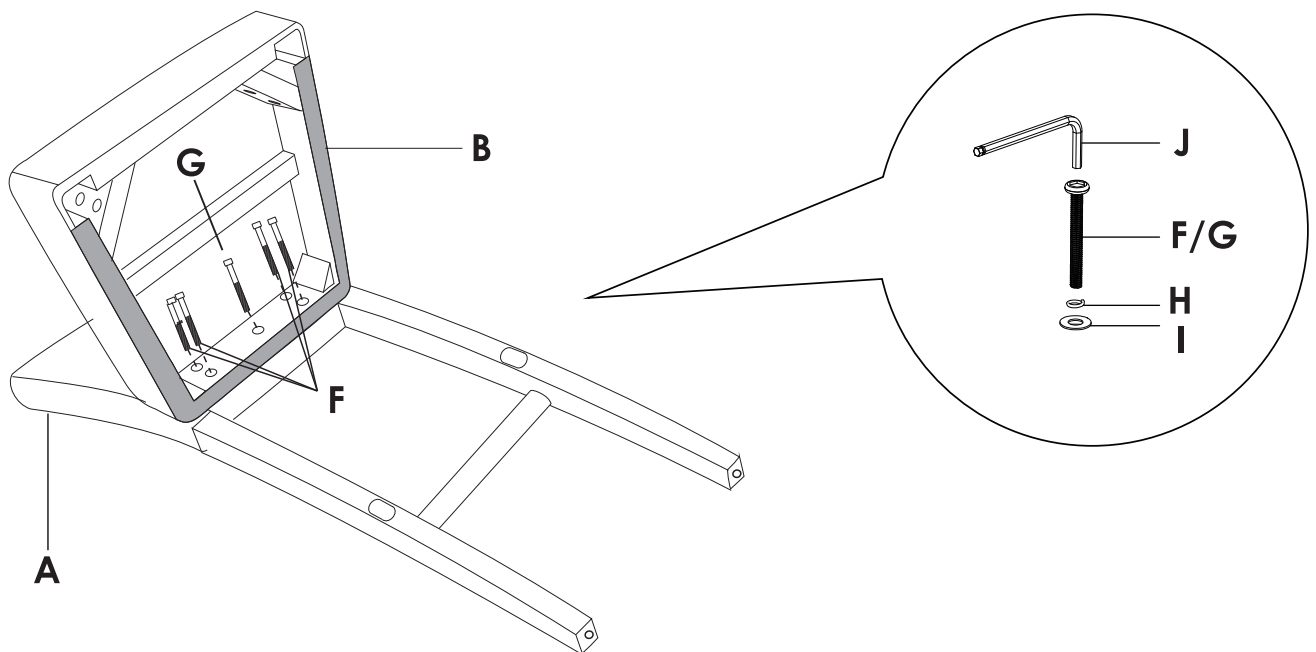
PLEASE READ AND KEEP FOR FUTURE REFERENCE.

<p>A×1</p> 	<p>B×1</p> 	<p>C×2</p> 
<p>D×1</p> 	<p>E×2</p> 	<p>F×4</p>  <p>M8x80mm</p>
<p>G×5</p>  <p>M8x60mm</p>	<p>H×9</p>  <p>M8</p>	<p>I×9</p>  <p>M8x22x1.5mm</p>
<p>J×1</p> 	<p>K×6</p>  <p>M4x45mm</p>	<p>M×4</p>  <p>M6x15mm</p>
 <p>Not included</p>		

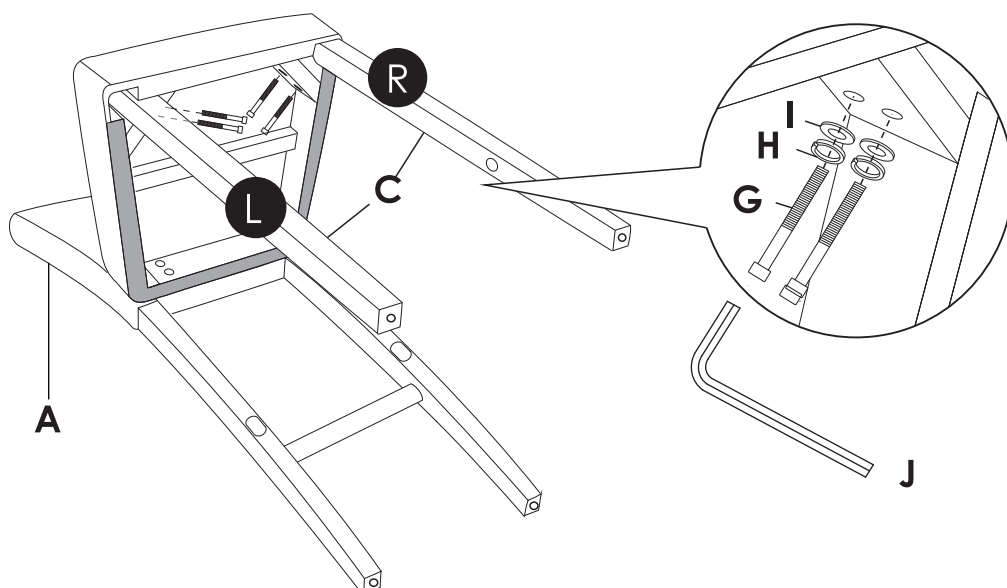
Please read through the instructions below to familiarize yourself with the parts and steps before assembly.

## ASSEMBLY INSTRUCTIONS

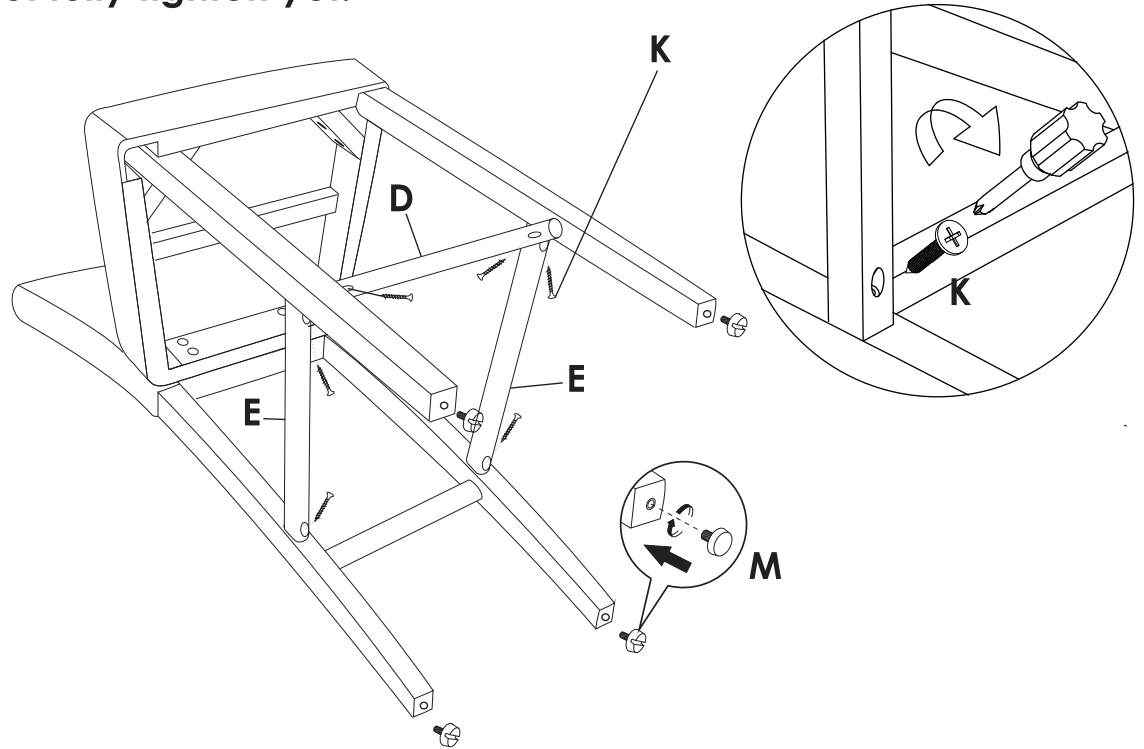
- 1 Attach seat (B) to back (A), using longer bolts (F), shorter bolts (G), lock washers (H), flat washers (I), and allen wrench (J).  
**Note: Do not fully tighten yet.**



- 2 Attach Legs (C) to back (A), using shorter bolts (G), lock washers (H), flat washers (I), and allen wrench (J).  
**Note: Do not fully tighten yet.**

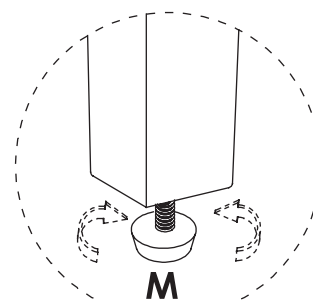
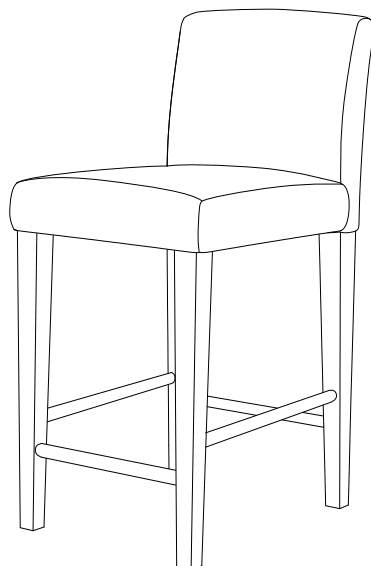


- 3** Attach using screws (K).  
**Note: Do not fully tighten yet.**



- 4** Turn assembled chair upright and place on a flat surface. Push legs up or down as necessary to level. Once level, tighten all bolts and screws.

**Note:** Each leg has an adjustable foot leveler to help level your chair.



Foot levelers