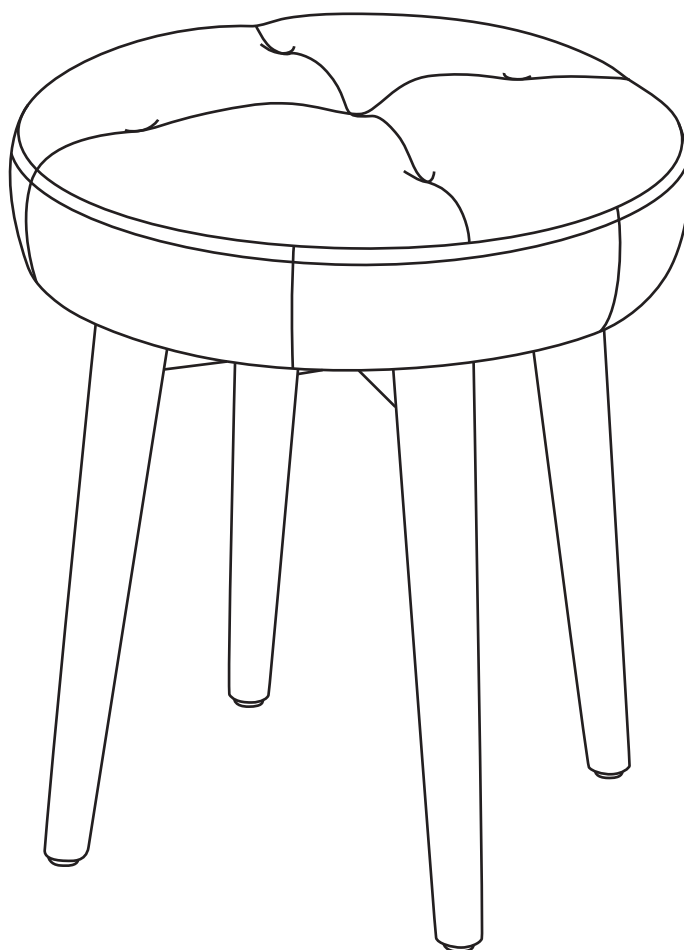


O71070 Assembly Manual

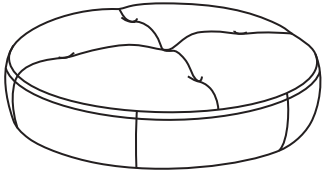
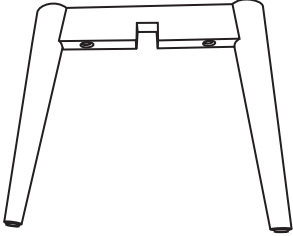
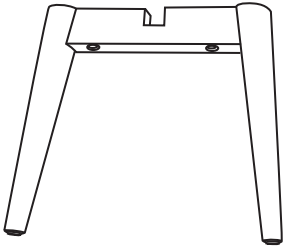
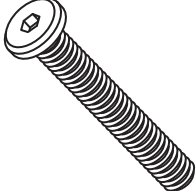

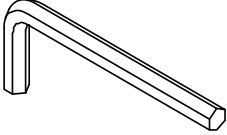
Mid-Century Stool



CAUTION

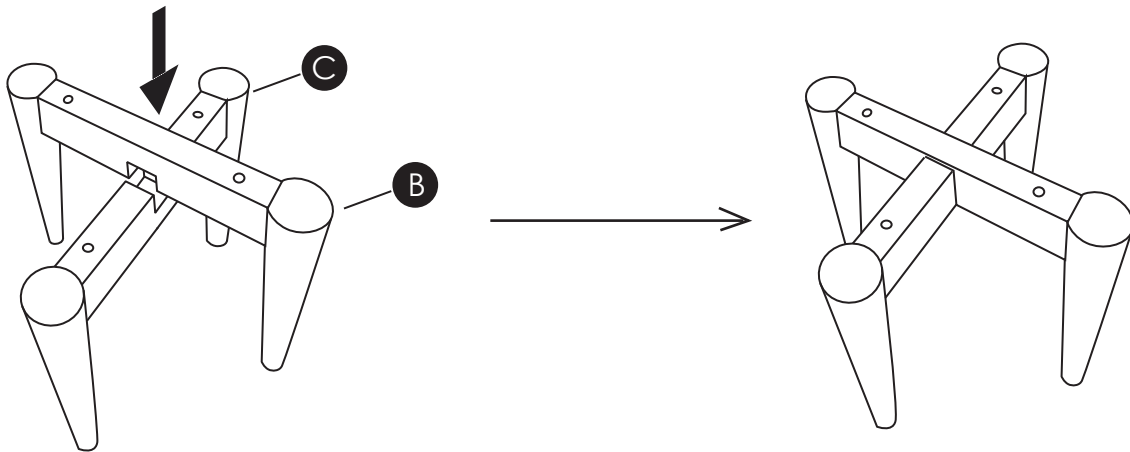
THIS ASSEMBLY MANUAL CONTAINS IMPORTANT SAFETY INFORMATION.

PLEASE READ AND KEEP FOR FUTURE REFERENCE.

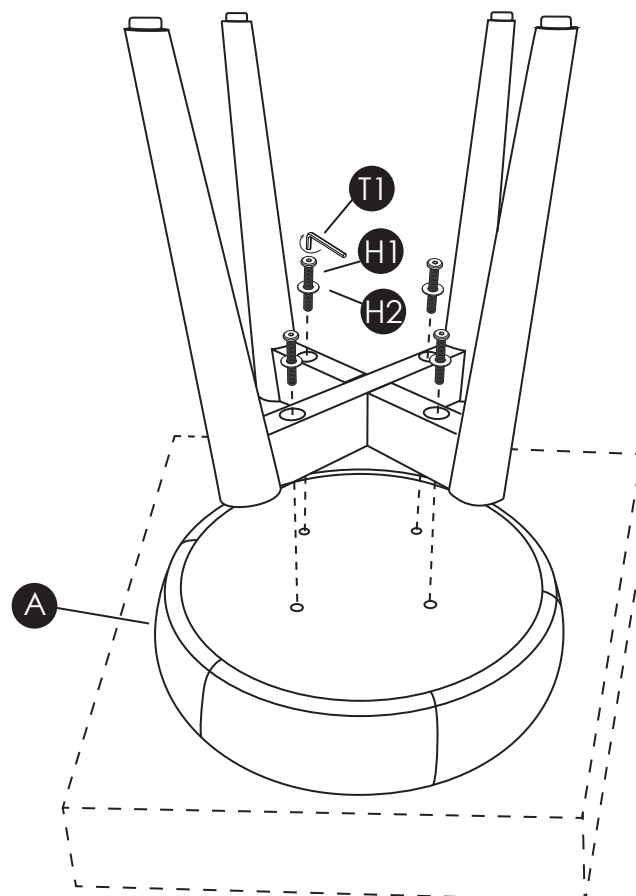
<p>Ax1</p> 	<p>Bx1</p> 	<p>Cx1</p> 
<p>H1x4</p> 	<p>H2x4</p> 	<p>T1 x1</p> 

ASSEMBLY INSTRUCTIONS

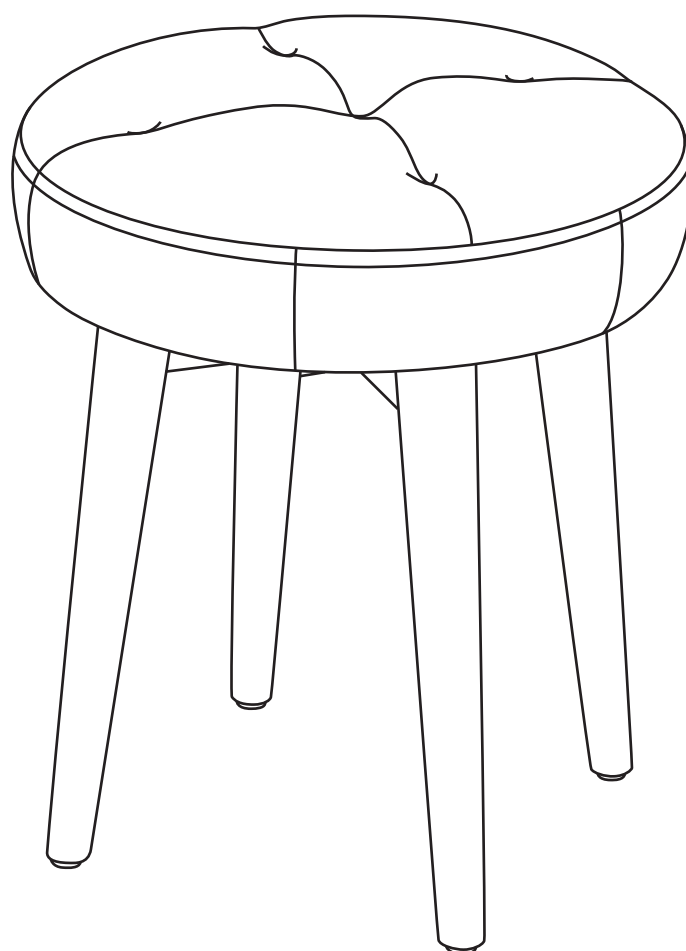
- 1 Put Leg (B) and Leg (C) together to get the stool base.



- 2 Attach the stool base in Step 1 to Stool Top (A), using Bolts (H1), Flat Washers (H2), and Allen Wrench (T1).



3 Assembly complete. Enjoy.



PRODUCT WARRANTY

- 1-year limited on cover against splitting, peeling, and/or tearing.
- 1-year limited on internal and external frame structure.
- 1-year limited on cushioning material, seat springs and mechanism.

CARE & MAINTENANCE

Water Based Cleaner 'W': Spot clean using the foam only from a water-based cleaning agent such as a mild detergent or non-solvent upholstery shampoo product. Apply foam with a soft in circular motion.

Vacuum when dry.

Do not place furniture in direct sunlight and keep furniture at least 60 cm / 2 feet from heat sources to avoid fading.

CONTACT US



CHITA CONSUMER CARE

All of us at CHITA thank you for being a valued customer. If you have any questions or concerns, please contact CHITA consumer care. We will respond within 24 business hours.

Email: contactus@chitaliving.com

 [@chitaliving](https://www.facebook.com/chitaliving)

CHITA FEEDBACK

Your feedback is very important to our company as we constantly strive to improve our products and services.

If possible, CHITA would sincerely appreciate if you can provide an honest review on our product and shopping experience.

