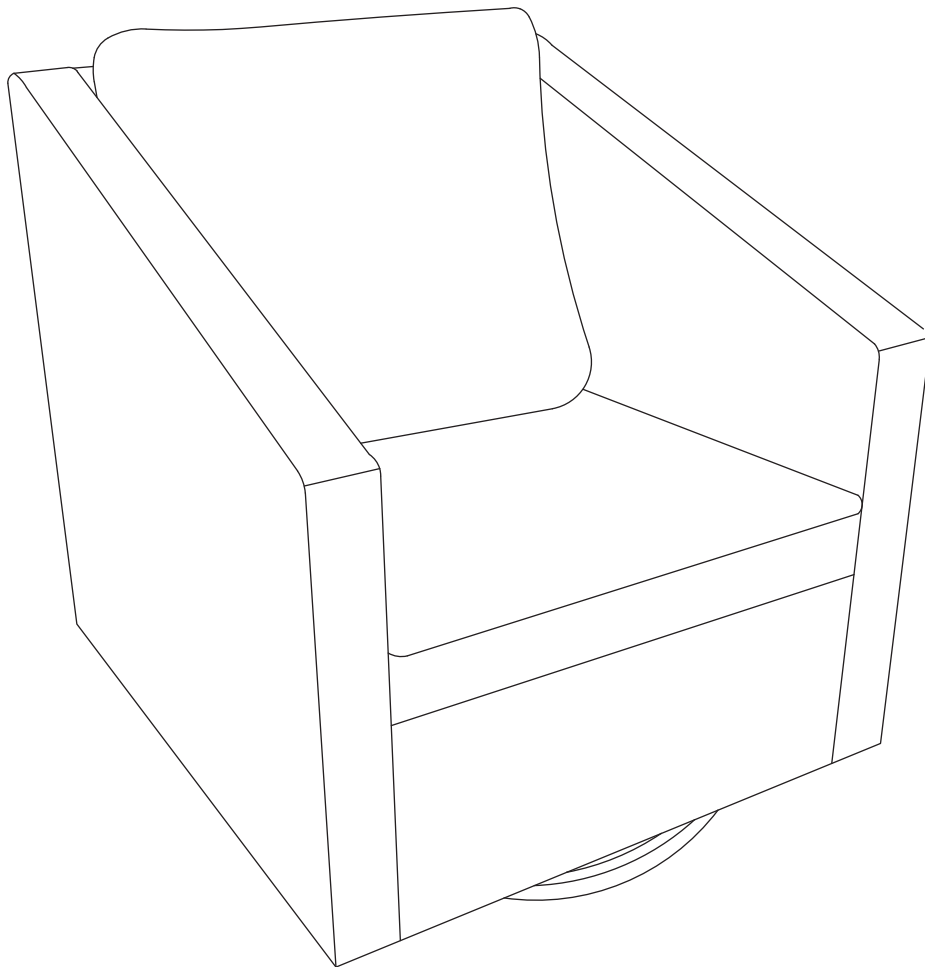


P72954 Assembly Manual

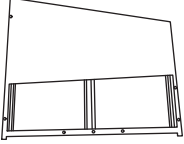
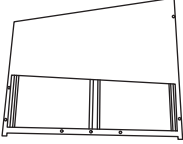
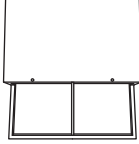
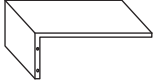
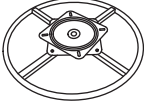
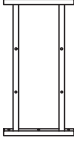
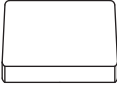

Swivel Patio Chair











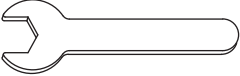
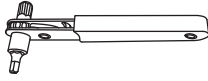
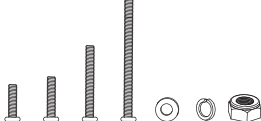
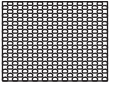
CAUTION

THIS ASSEMBLY MANUAL CONTAINS IMPORTANT SAFETY INFORMATION.
PLEASE READ AND KEEP FOR FUTURE REFERENCE.

Components:

<p>A×1</p>  <p>Right Arm</p>	<p>B×1</p>  <p>Left Arm</p>	<p>C×1</p>  <p>Back Panel</p>	<p>D×1</p>  <p>Seat Panel</p>
<p>E×1</p>  <p>Metal Ring</p>	<p>F×1</p>  <p>Inner Frame</p>	<p>G×1</p>  <p>Seat Cushion</p>	<p>H×1</p>  <p>Back Cushion</p>

Hardware Pack:

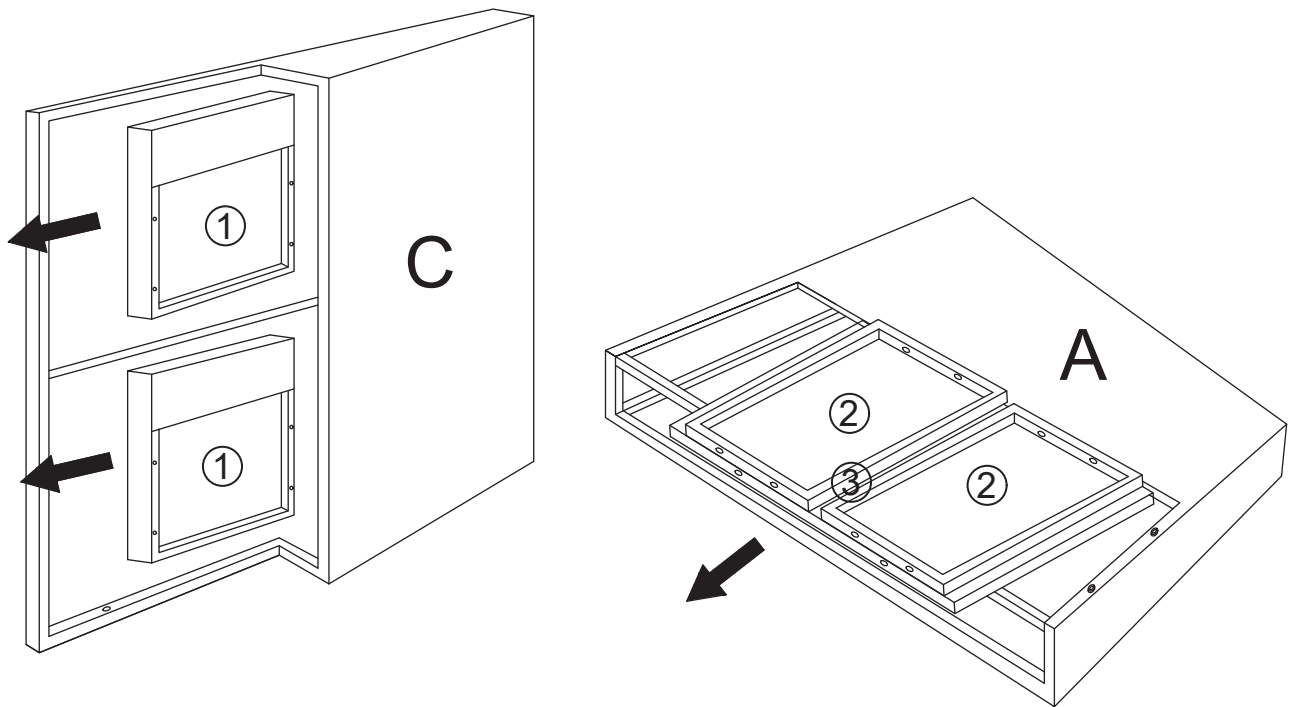
<p>H1 x6</p>  <p>Bolts (M6 x 30mm)</p>	<p>H2 x6</p>  <p>Bolts (M6 x 35mm)</p>	<p>H3 x6</p>  <p>Bolts (M6 x 55mm)</p>	<p>H4 x2</p>  <p>Bolts (M6 x 95mm)</p>
<p>H5x 30</p>  <p>Flat Washers (M6)</p>	<p>H6 x10</p>  <p>Spring Washers (M6)</p>	<p>H7 x10</p>  <p>Nuts (M6)</p>	<p>H8 x1</p>  <p>Allen Wrench (4#)</p>
<p>H9 x1</p>  <p>Open-Ended Wrench (M6)</p>	<p>H10 x1</p>  <p>Ratchet Wrench (M6)</p>	<p>Extra Hardware</p> 	<p>J×1</p>  <p>Non-Slip Mat (20'' x 20'')</p>

Before you begin:

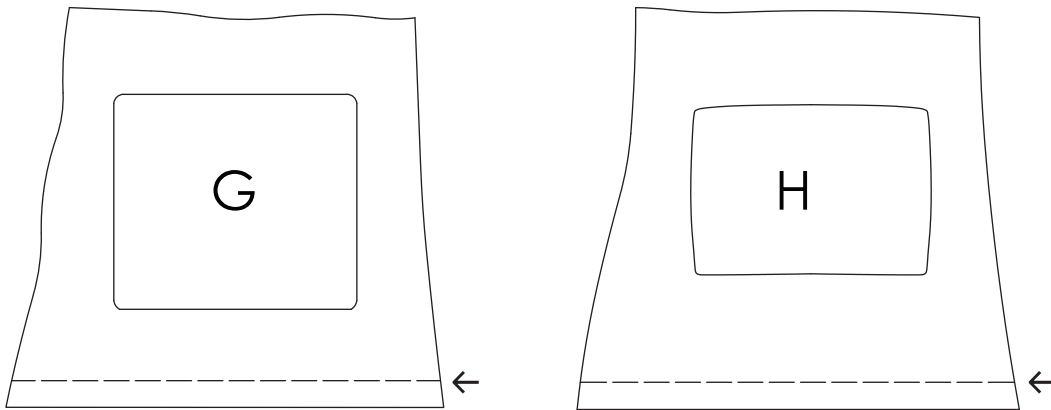
1. Check if you have received all parts using the diagram on this page. Do not start the assembly process until all parts are present. If you have not received all parts or received wrong or damaged ones, please contact our customer service and we will get back to you.
2. Do not discard any of the packaging until you are certain that you have all the necessary parts for the assembly.
- 3. Proper assembly of this item requires two (2) people.**

Note:

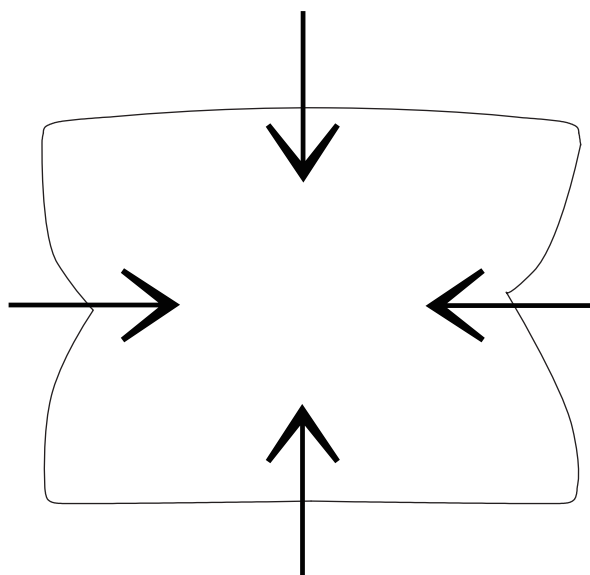
1. Please remove Ottoman's Left & Right Panel (①) from Chair's Back (C).
2. Please remove Ottoman's Side Panels (②) and Top Panel (③) from Chair's Right Arm (A).



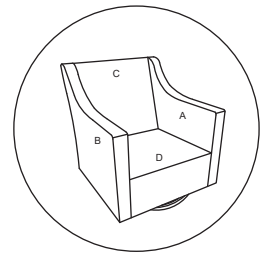
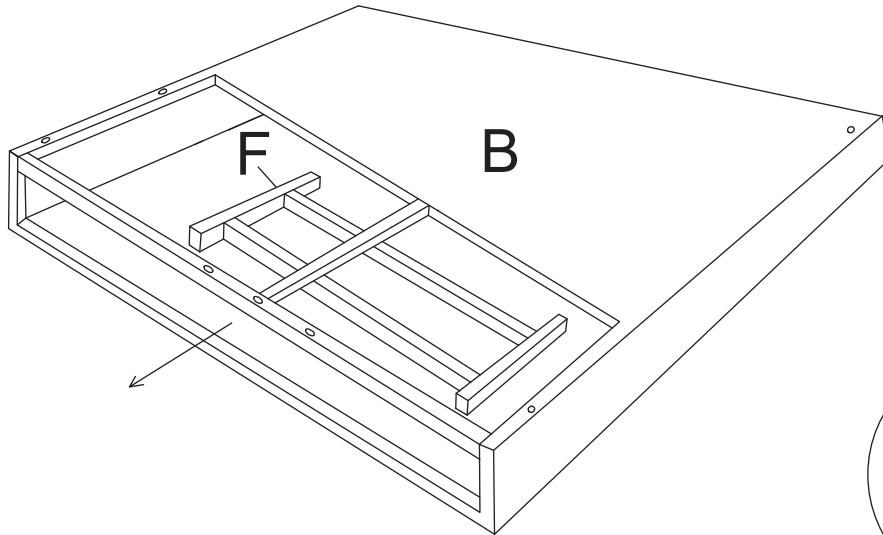
- 1 Open the vacuum-packed bags containing the Seat Cushion (G) and Back Cushion (H).
Note: Do NOT use sharp tools such as knives or scissors to open these bags as it could potentially damage the cushions. Please use your hands to gently pull the bags apart.



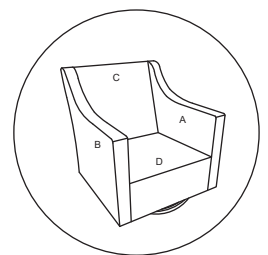
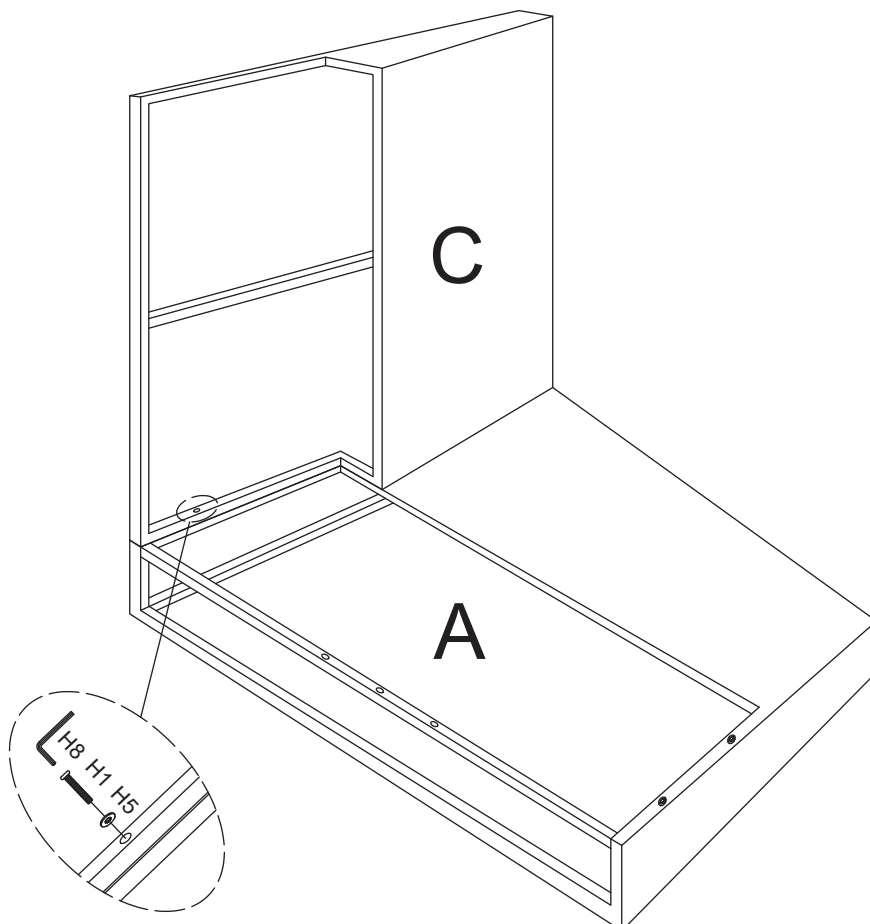
- 2 Please allow up to 48 hours for the cushions to return to the original thickness. For Back Cushion (H), fluff the cushion as indicated below to help it return to the original thickness.



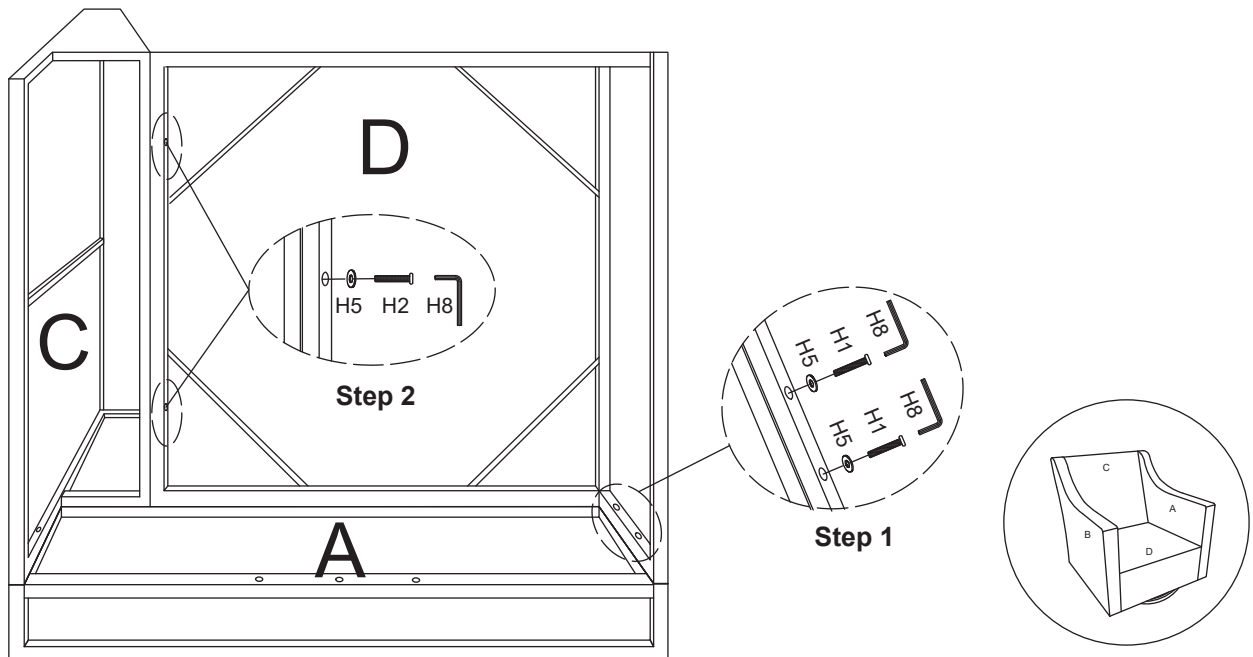
- 3** Please remove Inner Frame (F) from Left Arm (B).



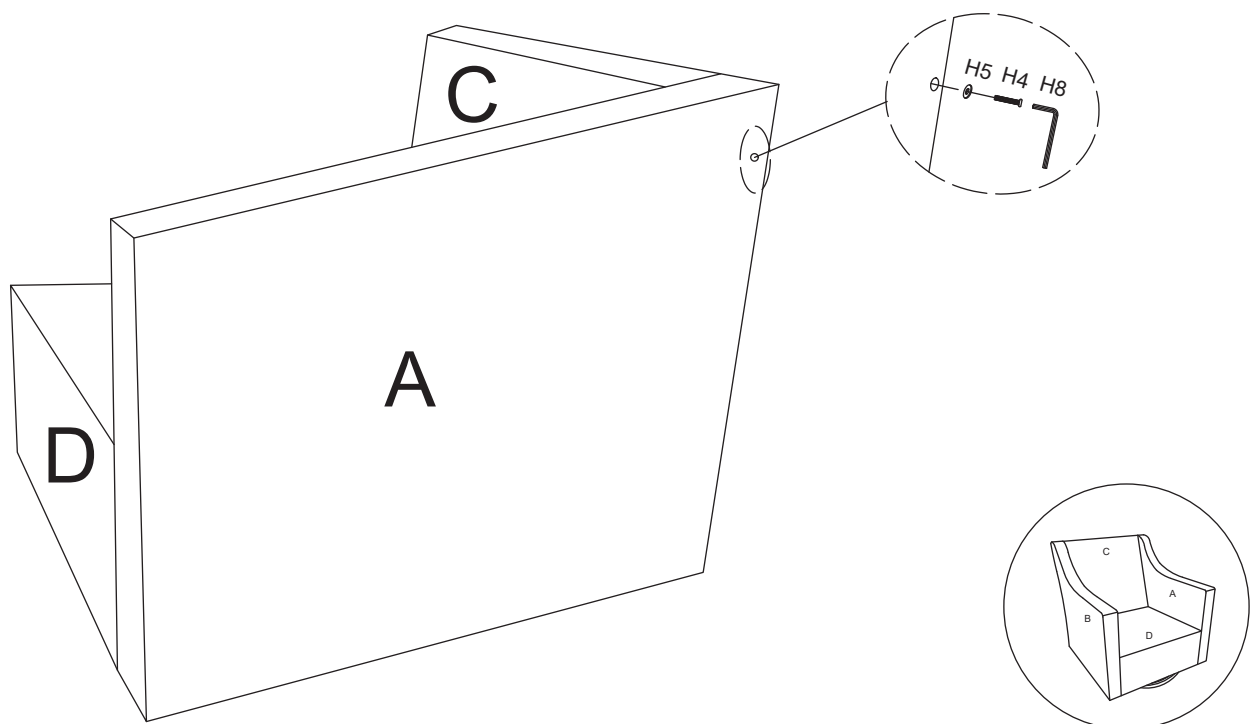
- 4** Place the Right Arm (A) flat on the floor. Attach Back Panel (C) to Right Arm (A), using Bolts (H1), Flat Washers (H5), and Allen Wrench (H8).
Do NOT fully tighten yet.



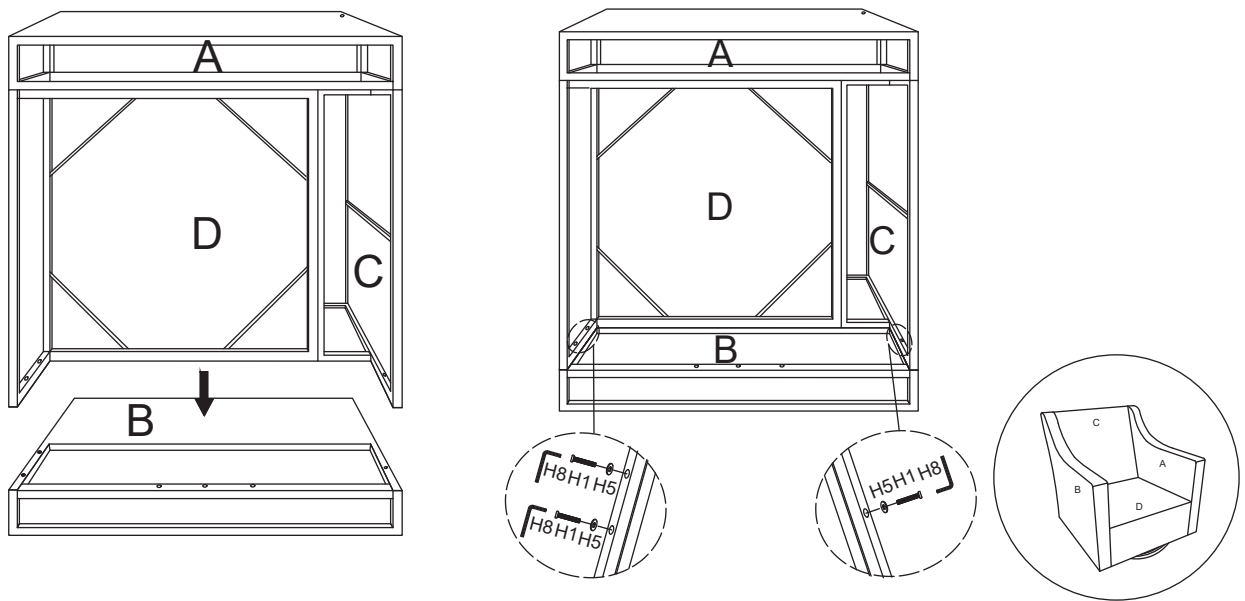
- 5** First, attach the front side of Seat Panel (D) to Right Arm (A), using Bolts (H1), Flat Washers (H5), and Allen Wrench (H8). **Do NOT fully tighten yet.** Then, attach the back side of Seat Panel (D) to Back Panel (C), using Bolts (H2), Flat Washers (H5), and Allen Wrench (H8). **Do NOT fully tighten yet.**



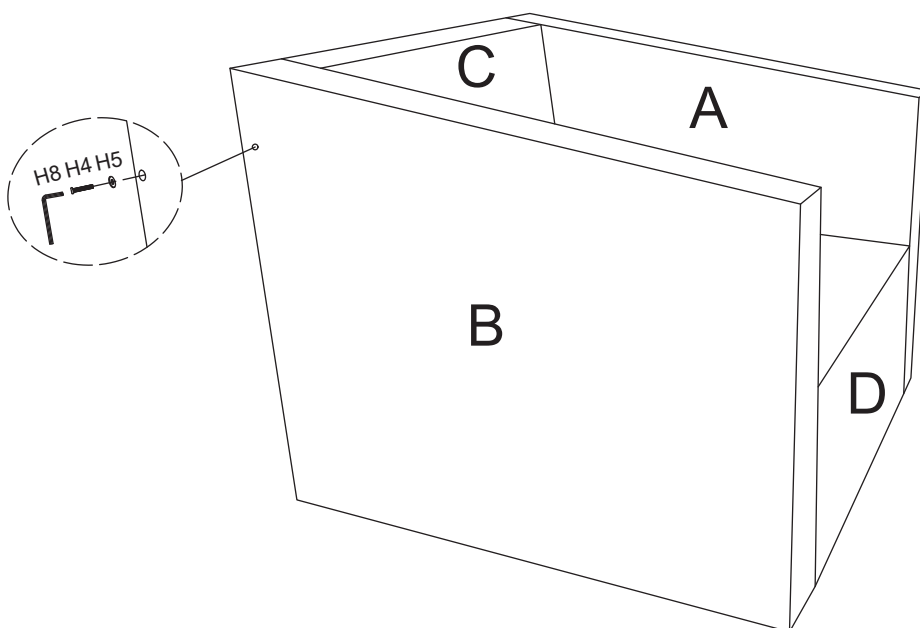
- 6** Place the chair upright. Attach Right Arm (A) to Back Panel (C), using Bolts (H4), Flat Washers (H5), and Allen Wrench (H8). **Do NOT fully tighten yet.**



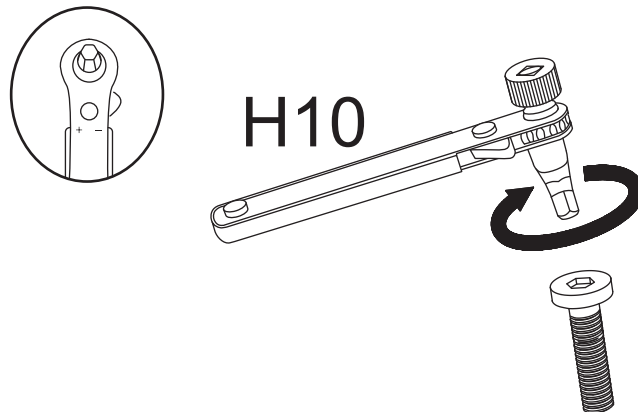
- 7** Place the Left Arm (B) flat on the floor. Attach the front side of Seat Panel (D) to Left Arm (B), using Bolts (H1), Flat Washers (H5), and Allen Wrench (H8). **Do NOT fully tighten yet.** Attach Back Panel (C) to Left Arm (B), using Bolts (H1), Flat Washers (H5), and Allen Wrench (H8). **Do NOT fully tighten yet.**



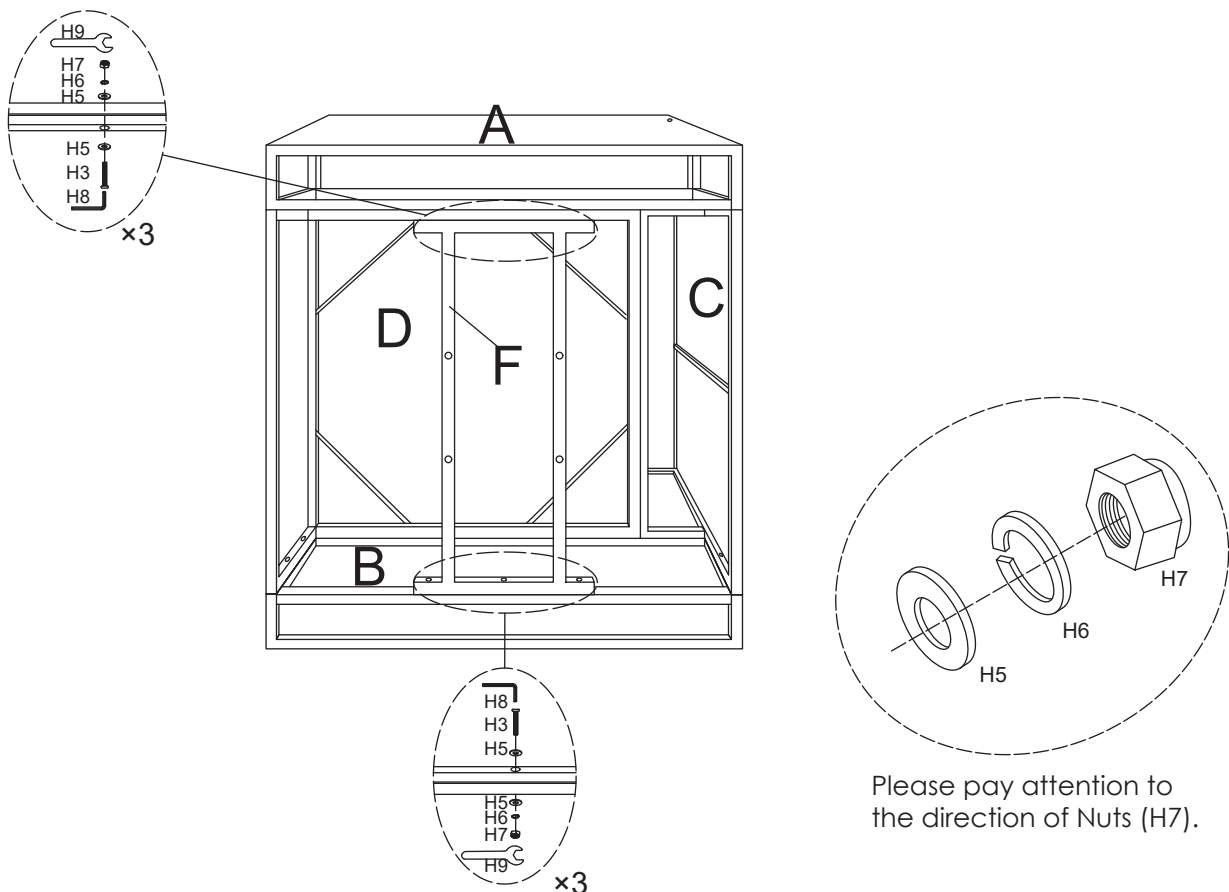
- 8** Place the chair upright. Attach Left Arm (B) to Back Panel (C), using Bolts (H4), Flat Washers (H5), and Allen Wrench (H8). **Do NOT fully tighten yet.**



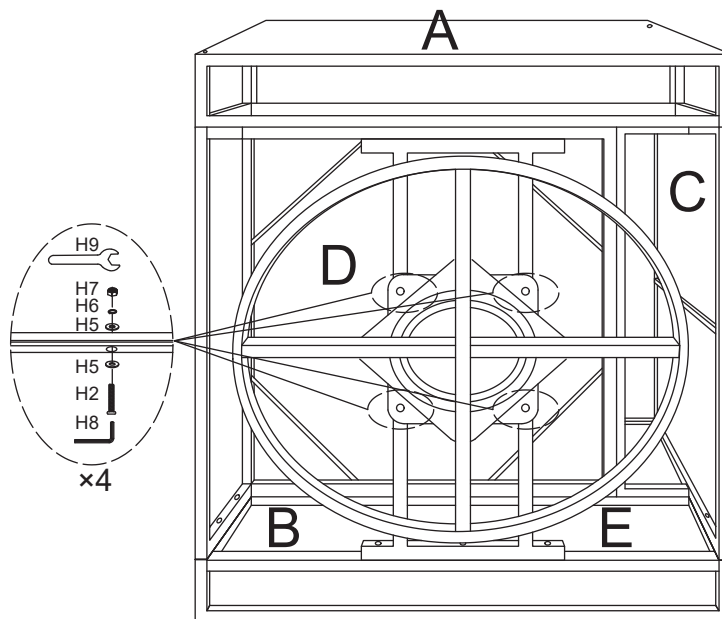
- 9** Set the button on Ratchet Wrench (H10) at "-". Use Ratchet Wrench (H10) to fully tighten all bolts in Step 4, 5, 6, 7, and 8.



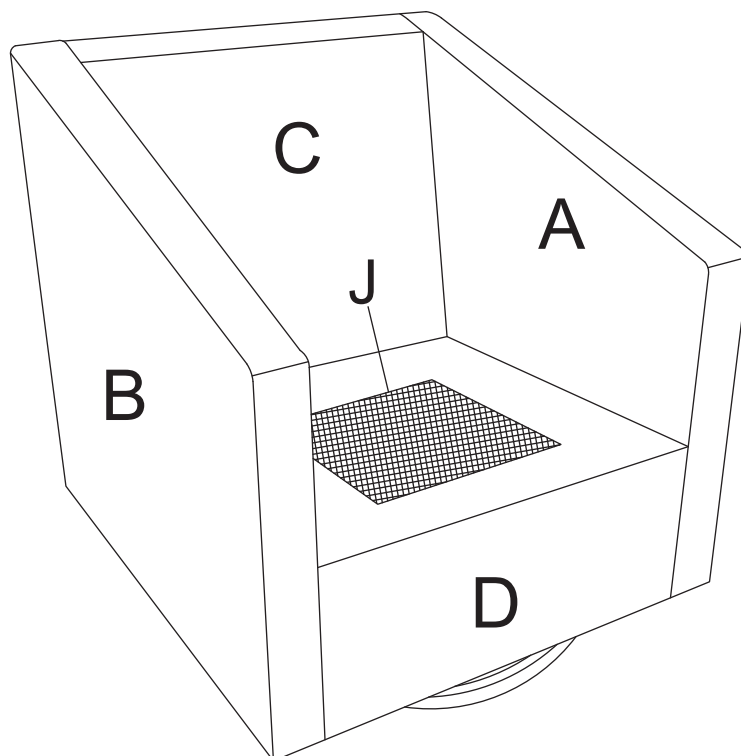
- 10** Attach Inner Frame (F) to assembled part in previous step, using Bolts (H3), Flat Washers (H5), Spring Washers (H6), Nuts (H7), Allen Wrench (H8), and Open-Ended Wrench (H9). Use the Open-Ended Wrench (H9) to hold the Nuts (H7) steady, use the Allen Wrench (H8) to tighten the Bolts (H3). **Fully tighten.**



- 11** Attach Metal Ring (E) to the assembled part in previous step, using Bolts (H2), Flat Washers (H5), Spring Washers (H6), Nuts (H7), Allen Wrench (H8), and Open-Ended Wrench (H9). Use the Open-Ended Wrench (H9) to hold the Nuts (H7) steady, use the Allen Wrench (H8) to tighten the Bolts (H2). **Fully tighten.**



- 12** Flip chair onto its base. Place Non-Slip Mat (J) on the Seat.



- 13** Place Seat Cushion (G) and Back Cushion (H) on the chair.
Assembly complete. Enjoy.

