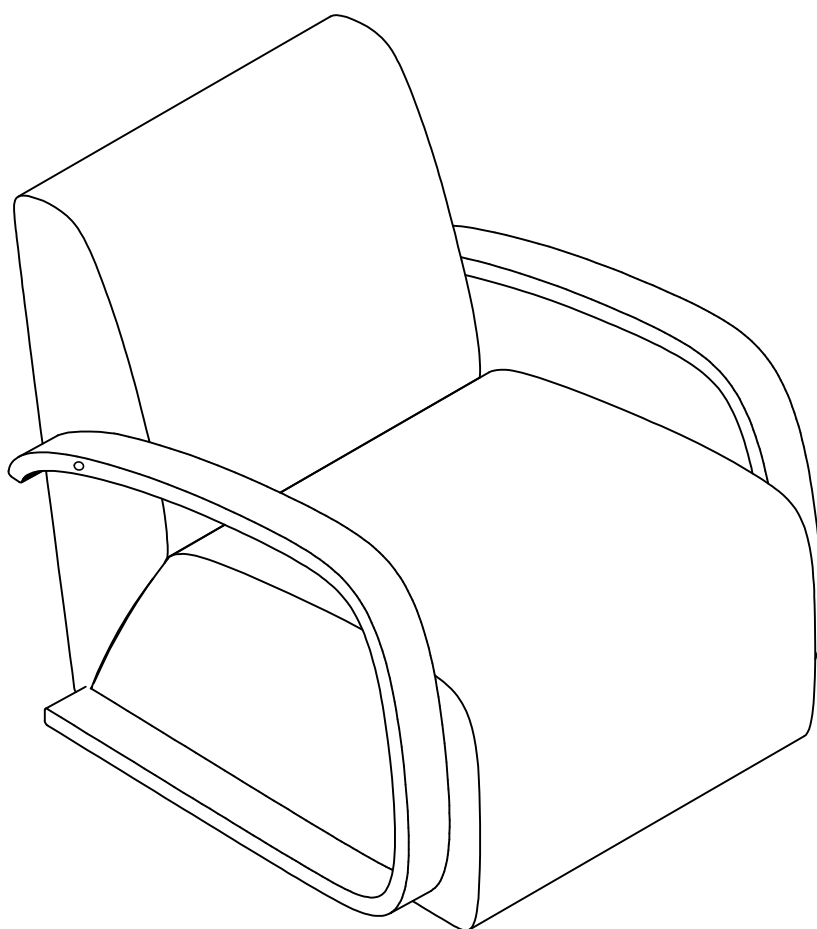


AC72303 Assembly Manual

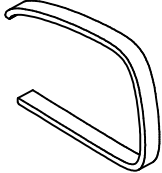
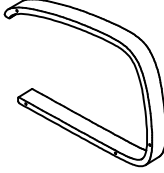
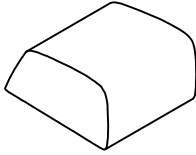
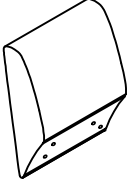
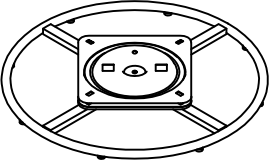
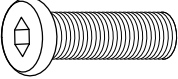
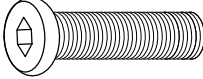
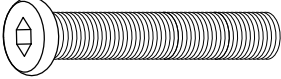
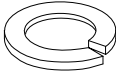
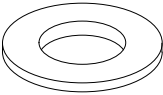
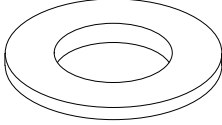

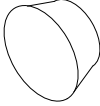
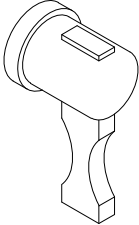
Swivel Accent Chair



 **CAUTION**

THIS ASSEMBLY MANUAL CONTAINS IMPORTANT SAFETY INFORMATION.

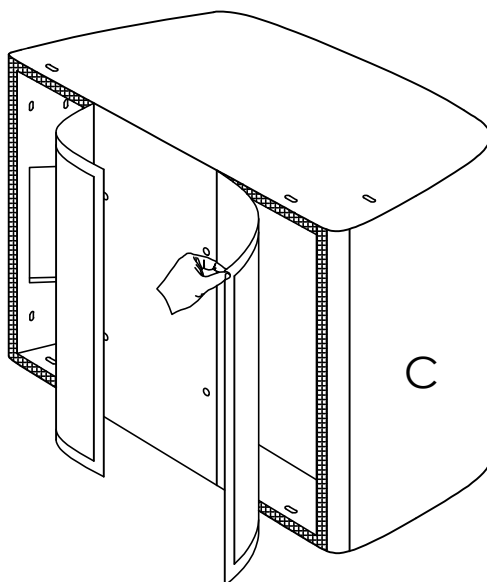
PLEASE READ AND KEEP FOR FUTURE REFERENCE.

<p>A x 1</p>  <p>Left Arm</p>	<p>B x 1</p>  <p>Right Arm</p>	<p>C x 1</p>  <p>Seat Cushion</p>	<p>D x 1</p>  <p>Back Cushion</p>
<p>E x 1</p>  <p>Base Frame</p>	<p>H1 x 12</p>  <p>Short Bolts $\varnothing 1/4" \times 2"$</p>	<p>H2 x 2</p>  <p>Bolts $\varnothing 1/4" \times 2-1/2"$</p>	<p>H3 x 2</p>  <p>Long Bolts $\varnothing 1/4" \times 3-1/4"$</p>
<p>H4 x 16</p>  <p>Lock Washers $1/4"$</p>	<p>H5 x 2</p>  <p>Small Flat Washers $1/4" (12mm)$</p>	<p>H6 x 14</p>  <p>Big Flat Washers $1/4" (22mm)$</p>	<p>H7 x 1</p>  <p>Allen Wrench $1/4"$</p>
<p>H8 x 2</p>  <p>Wooden Plugs</p>	 <p>Not Included</p>		

Before you begin:

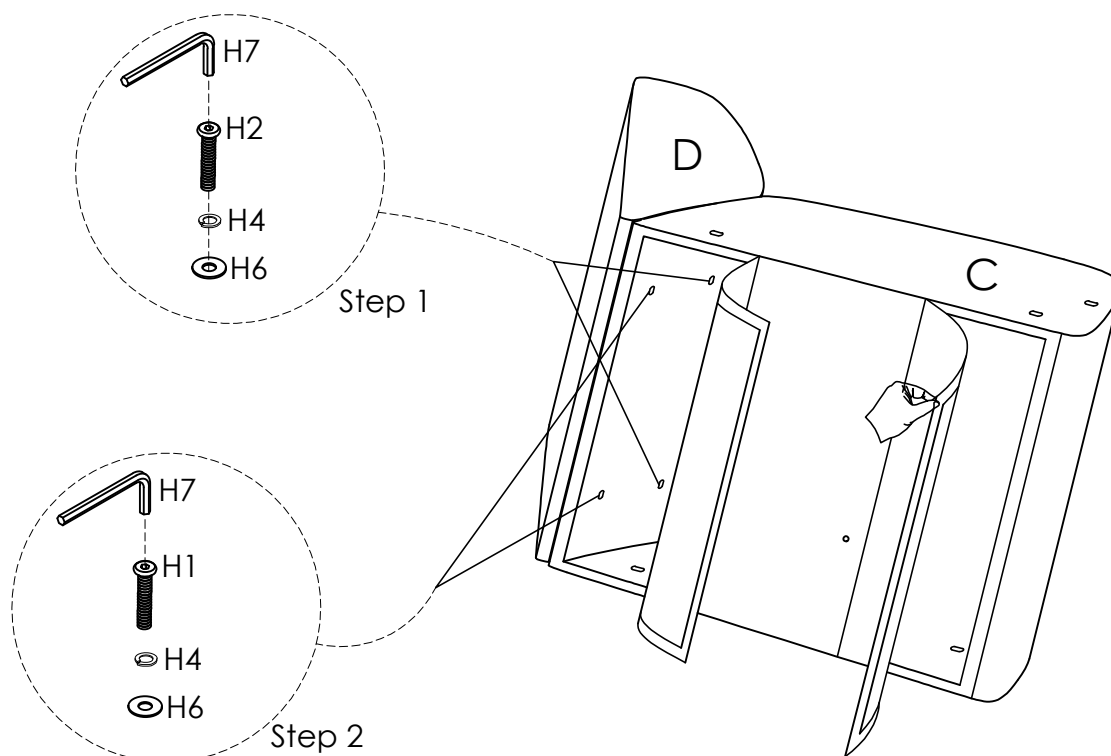
1. Check if you have received all parts using the diagram on this page. Do not start the assembly process until all parts are present. If you have not received all parts or received wrong or damaged ones, please contact our customer service and we will get back to you.
2. Do not discard any of the packaging until you are certain that you have all the necessary parts for the assembly.
3. Do NOT use power tools for assembly.

- 1 Detach the bottom fabric underneath Seat (C).

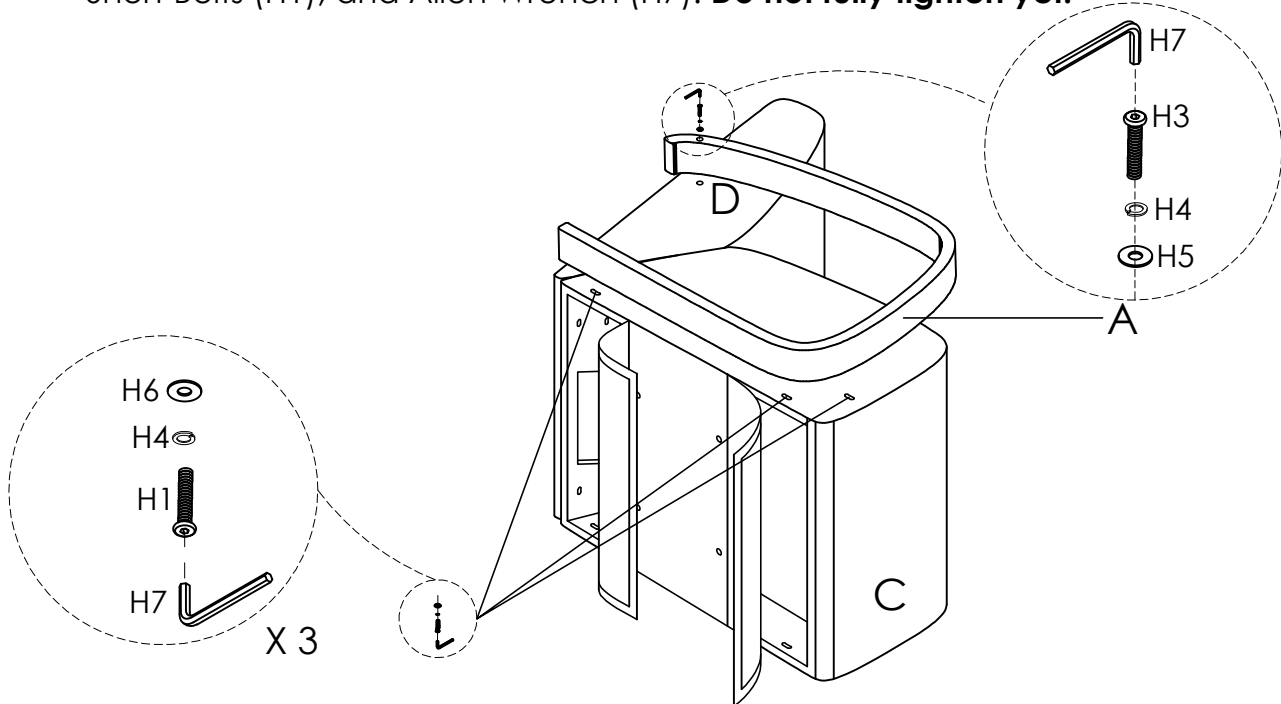


- 2 Attach the Seat (C) to the Back (D). Please start with the two holes on the upper side. Use Bolts (H2), Lock Washers (H4), Big Flat Washers (H6), and Allen Wrench (H7). **Do not fully tighten yet.**

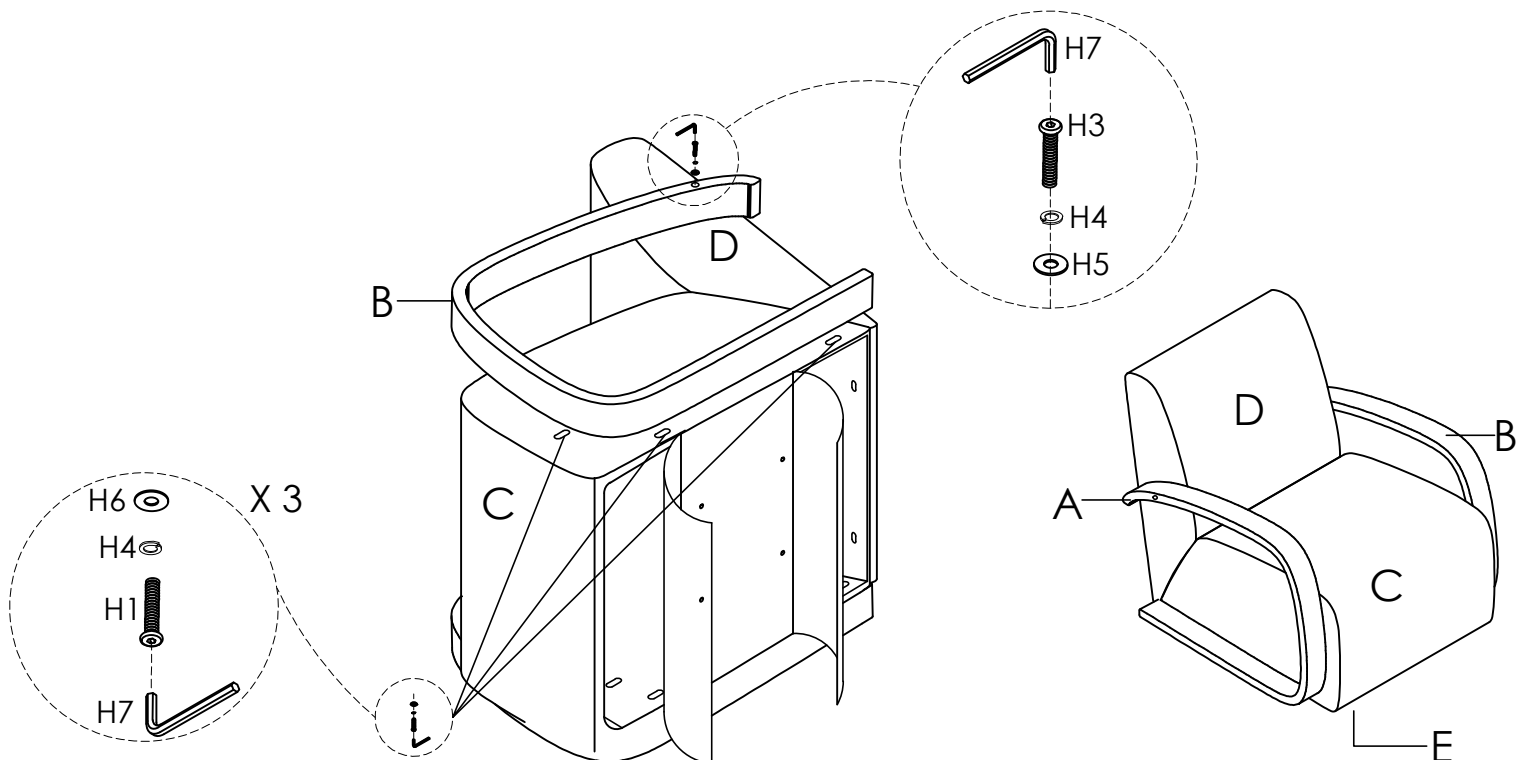
Move on to the two holes on the lower side. Use Short Bolts (H1), Lock Washers (H4), Big Flat Washers (H6), and Allen Wrench (H7). **Do not fully tighten yet.**



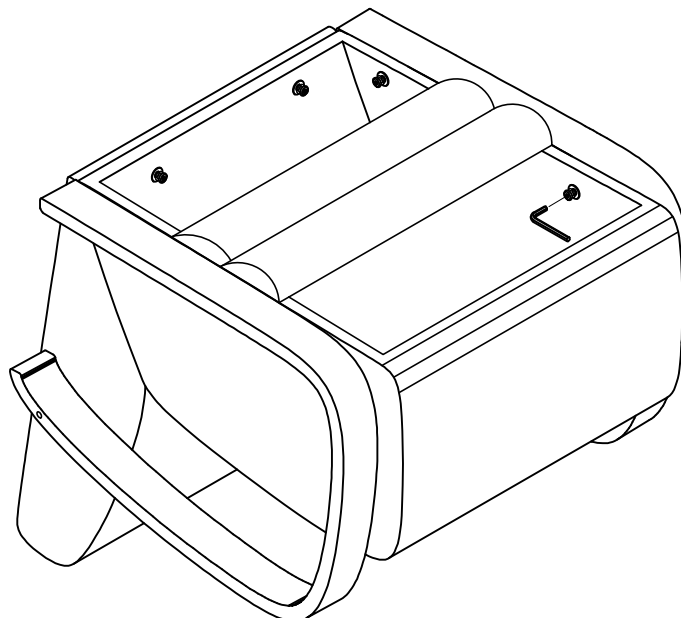
- 3** Attach Left Arm (A) to Back (D), using Small Flat Washers (H5), Lock Washers (H4), Long Bolts (H3), and Allen Wrench (H7). **Do not fully tighten yet.**
 Attach Left Arm (A) to Seat (C), using Big Flat Washers (H6), Lock Washers (H4), Short Bolts (H1), and Allen Wrench (H7). **Do not fully tighten yet.**



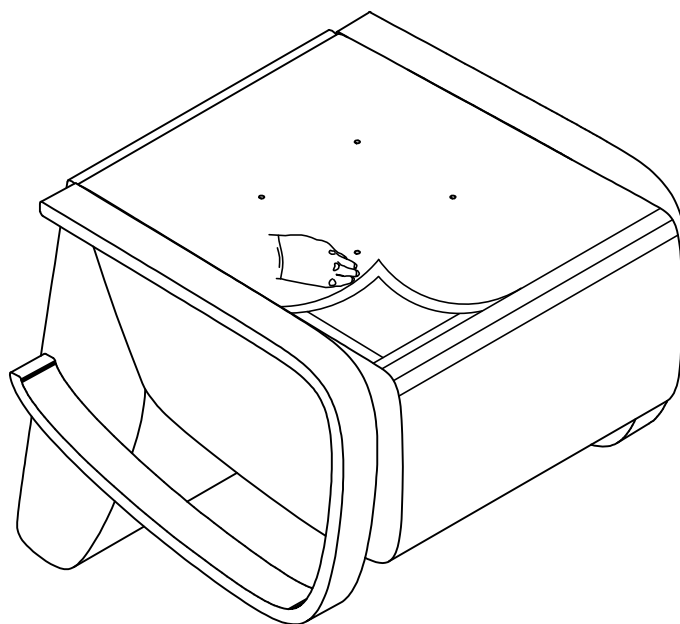
- 4** Attach Right Arm (B) to Back (D), using Small Flat Washers (H5), Lock Washers (H4), Long Bolts (H3), and Allen Wrench (H7). **Do not fully tighten yet.**
 Attach Right Arm (B) to Seat (C), using Big Flat Washers (H6), Lock Washers (H4), Short Bolts (H1), and Allen Wrench (H7). **Do not fully tighten yet.**



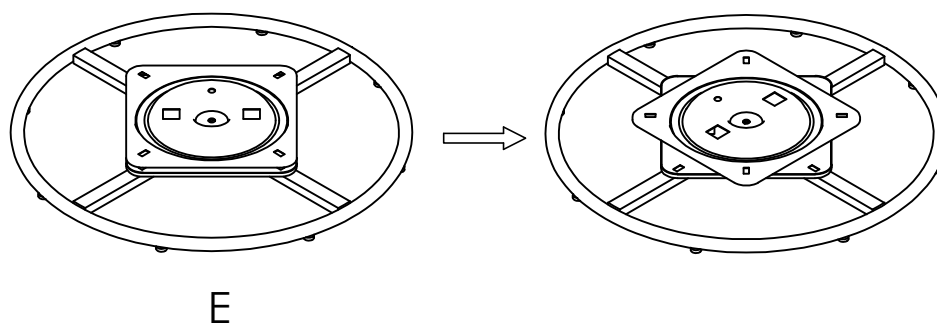
- 5** Fully tighten all bolts in Step 2, 3, and 4. (Twelve bolts in total.)



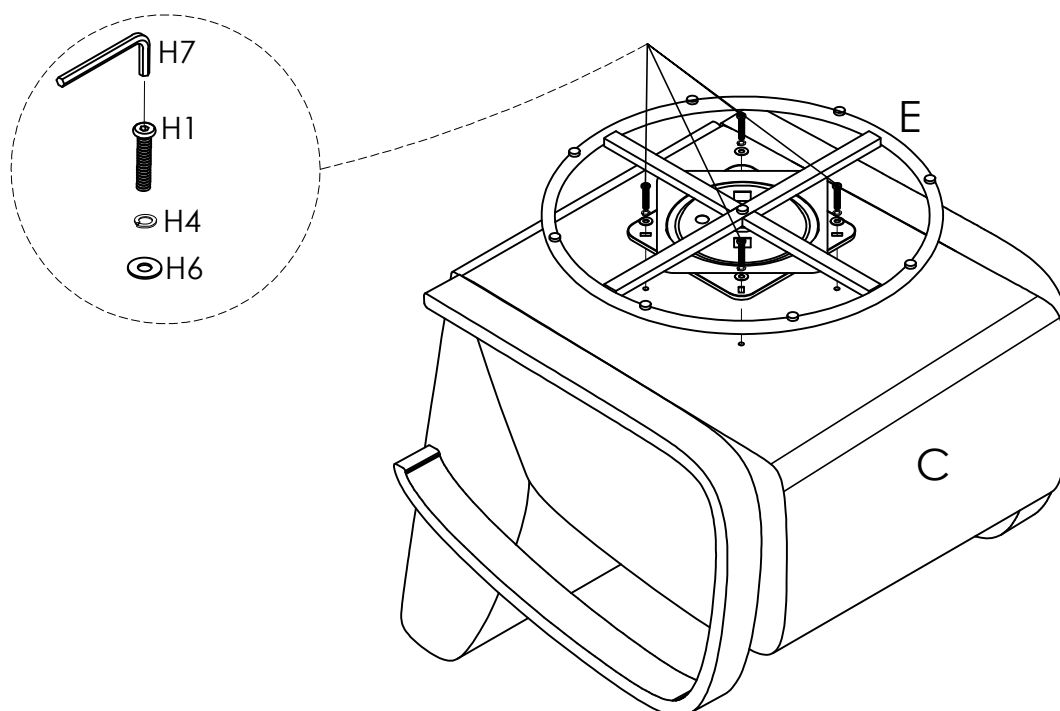
- 6** Attach the Velcro underneath the Seat (C) as indicated below.



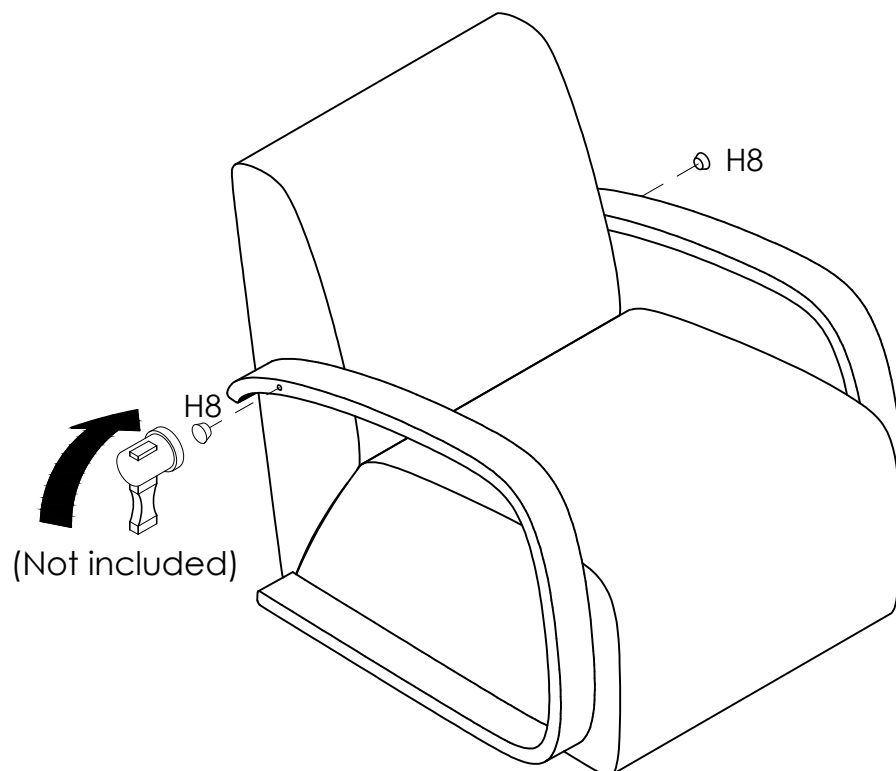
- 7** Rotate the Swivel Plate on Base Frame (E) by 45 degree.



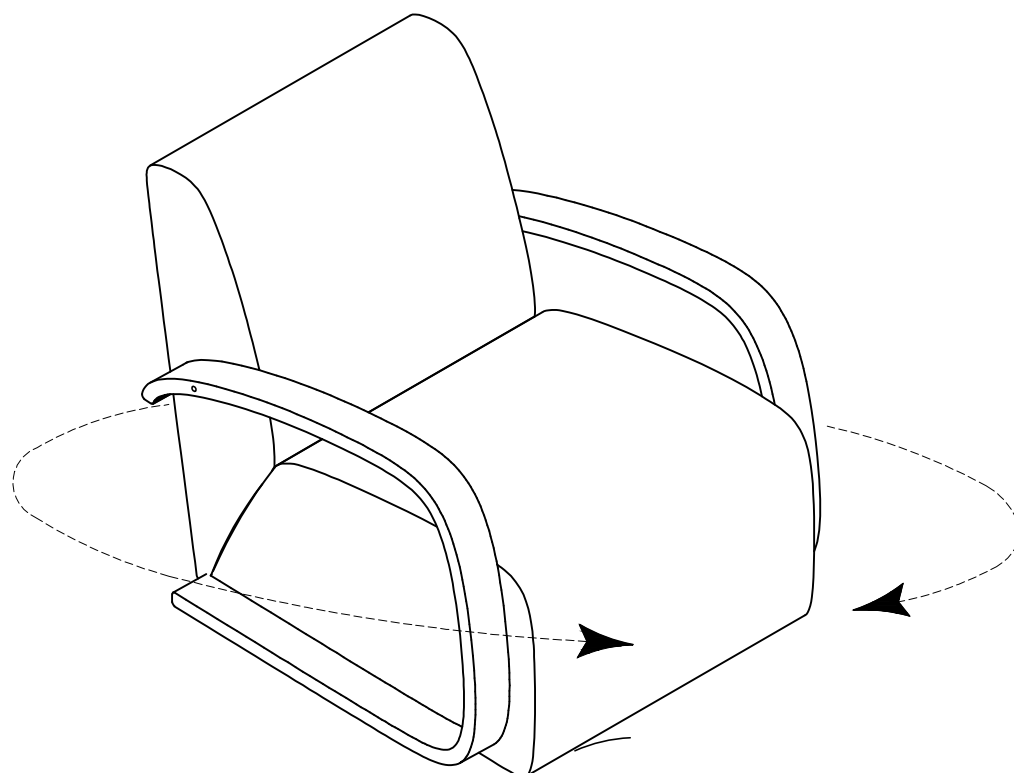
- 8** Attach Base Frame (E) to Seat (C), using Big Flat Washers (H6), Lock Washers (H4), Short Bolts (H1), and Allen Wrench (H7). **Fully tighten.**



- 9** Gently tap the Wooden Plugs (H8) into Left Arm (A) and Right Arm (B).



- 10** Assembly complete. Take a spin and enjoy.



PRODUCT WARRANTY

- . 1-year limited on cover against splitting, peeling, and/or tearing.
- . 1-year limited on internal and external frame structure.
- . 1-year limited on cushioning material, seat springs and mechanism.

CARE & MAINTENANCE

Water Based Cleaner 'W' Spot clean using the foam only from a water-based cleaning agent such as a mild detergent or non-solvent upholstery shampoo product. Apply foam with a soft in circular motion.

Vaccum when dry.

Do not place furniture in direct sunlight and keep furniture at least 60 cm / 2 feet from heat sources to avoid fading.

Follow Us



@chitalivingofficial



@chitaliving



@chitaliving



@chitaliving

If at any step you need a helping hand, we're always here for you. You can email us, or hop into a live chat on our website - whatever method is convenient for you.



support@chitaliving.com