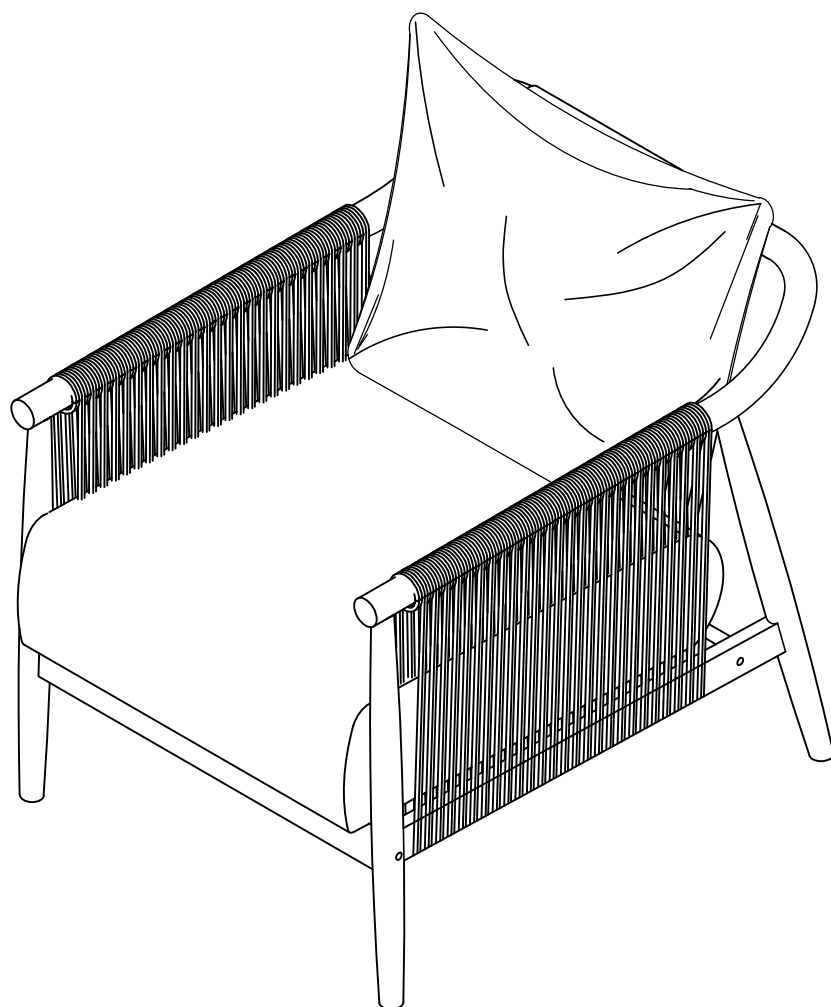


AC72951 Assembly Manual

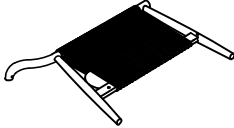
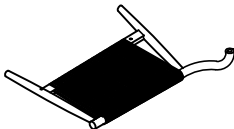
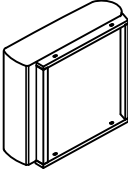
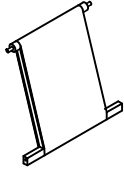
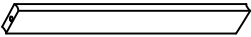

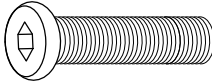
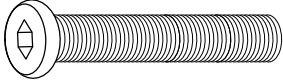


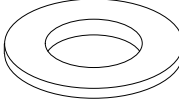
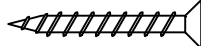
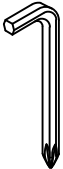
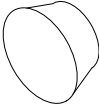
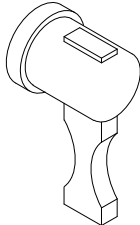
Accent Chair



▲ CAUTION

THIS ASSEMBLY MANUAL CONTAINS IMPORTANT SAFETY INFORMATION.

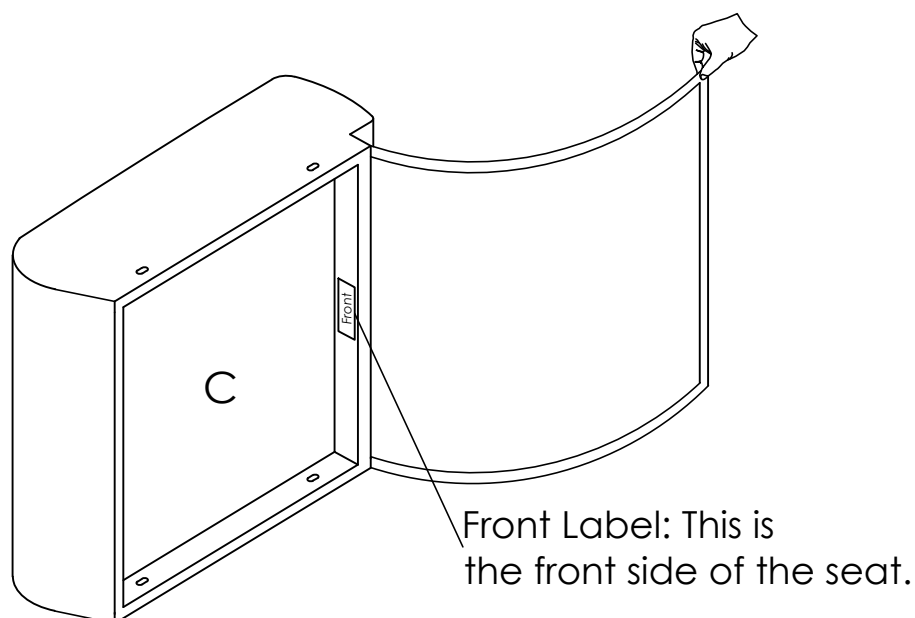
PLEASE READ AND KEEP FOR FUTURE REFERENCE.

<p>A x 1</p>  <p>Left Arm</p>	<p>B x 1</p>  <p>Right Arm</p>	<p>C x 1</p>  <p>Seat Cushion</p>	<p>D x 1</p>  <p>Back Frame</p>
<p>E x 1</p>  <p>Front Rail</p>	<p>F x 1</p>  <p>Back Cushion</p>	<p>H1 x 6</p>  <p>Short Bolts $\varnothing 1/4" \times 1-1/2"$</p>	<p>H2 x 2</p>  <p>Long Bolts $\varnothing 1/4" \times 2"$</p>
<p>H3 x 8</p>  <p>Lock Washers $1/4"$</p>	<p>H4 x 4</p>  <p>Small Flat Washers $1/4" (12\text{mm})$</p>	<p>H5 x 4</p>  <p>Big Flat Washers $1/4" (22\text{mm})$</p>	<p>H6 x 2</p>  <p>Flat Head Screw #8 X 1"</p>
<p>H7 x 1</p>  <p>Allen Wrench $1/4"$</p>	<p>H8 x 4</p>  <p>Wooden Plugs</p>	 <p>Not Included</p>	

Before you begin:

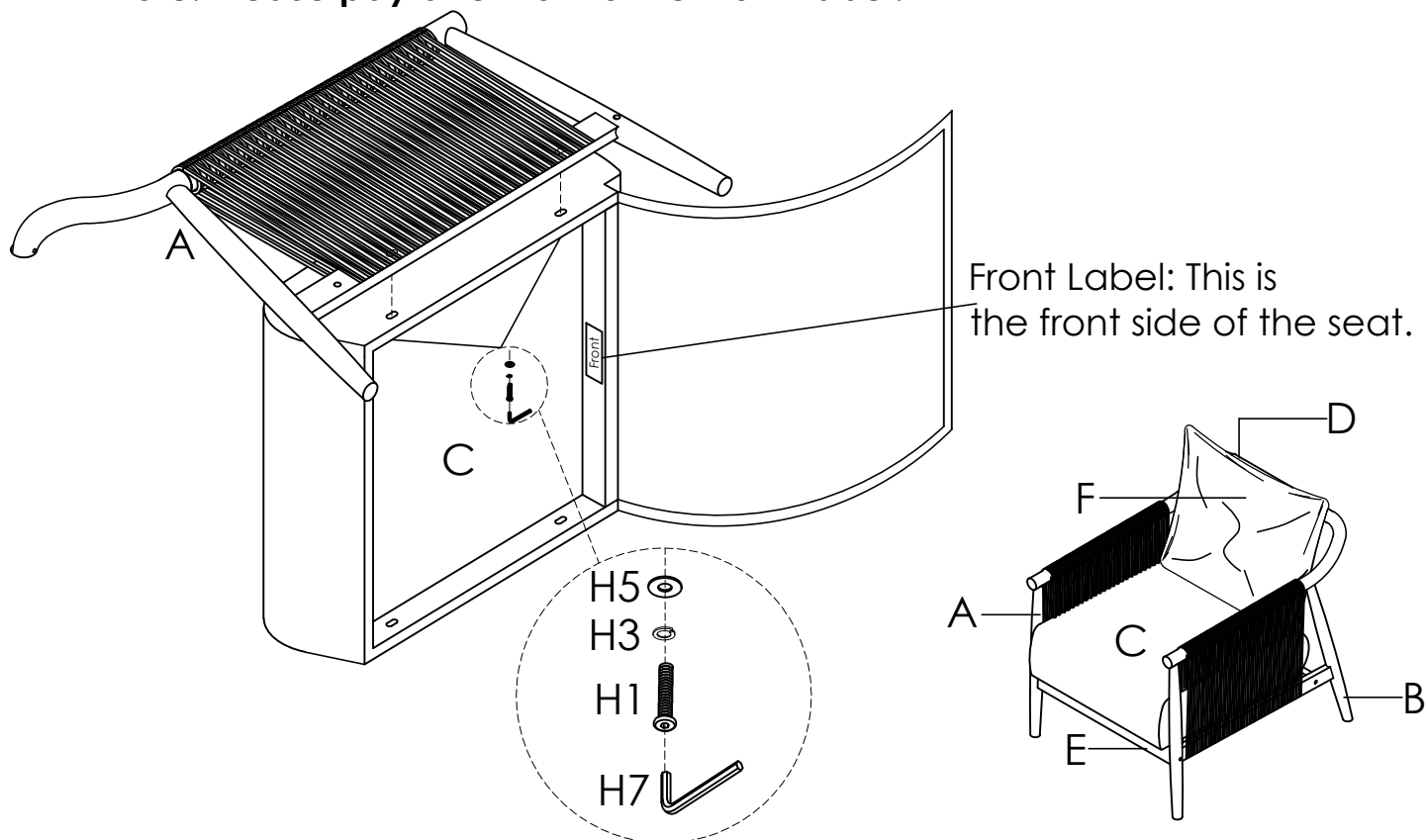
1. Check if you have received all parts using the diagram on this page. Do not start the assembly process until all parts are present. If you have not received all parts or received wrong or damaged ones, please contact our customer service and we will get back to you.
2. Do not discard any of the packaging until you are certain that you have all the necessary parts for the assembly.
3. Do NOT use power tools for assembly.

- 1 Detach the bottom fabric underneath the Seat (C).

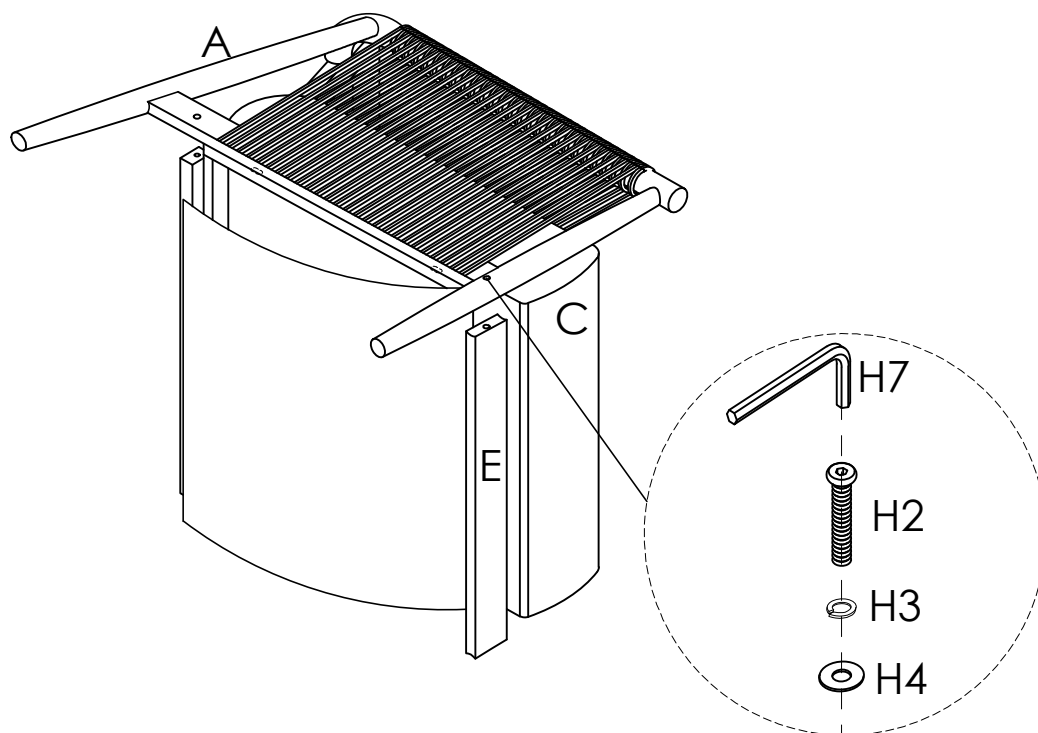


- 2 Attach Left Arm (A) to Seat (C), using Big Flat Washers (H5), Lock Washers (H3), Short Bolts (H1), and Allen Wrench (H7). **Do not fully tighten yet.**

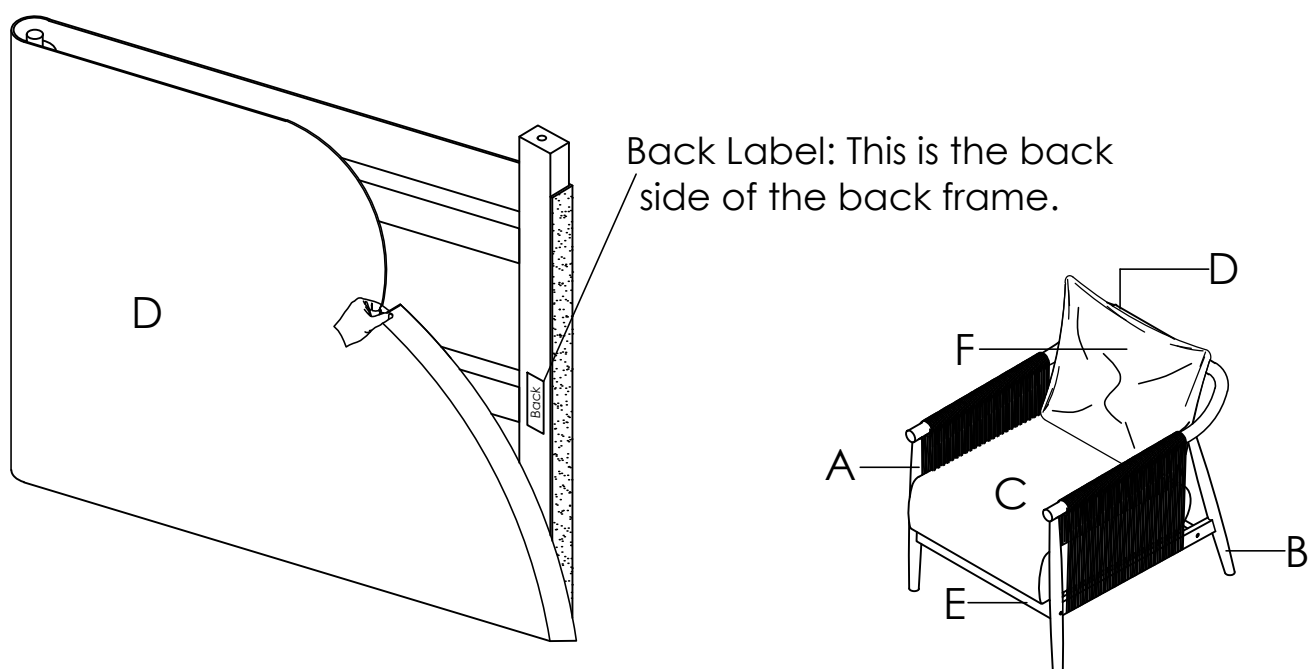
Note: Please pay attention to the Front Label.



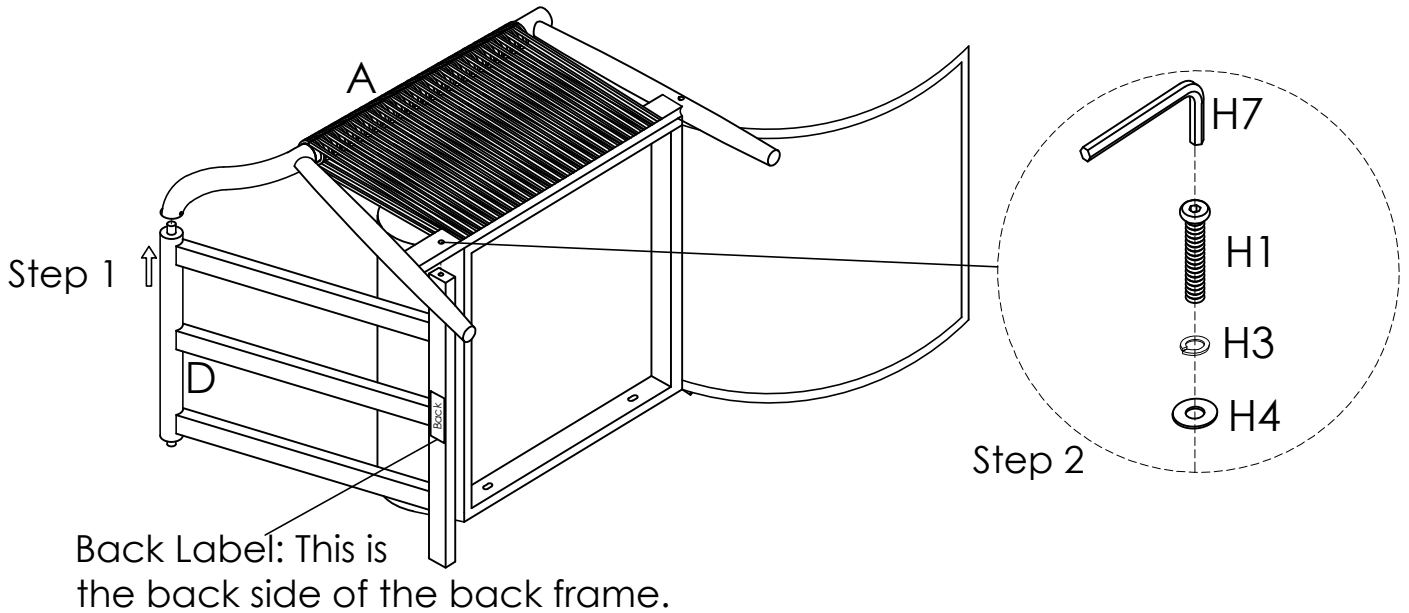
- 3** Attach Front Rail (E) to Left Arm (A), using Small Flat Washers (H4), Lock Washers (H3), Long Bolts (H2), and Allen Wrench (H7). **Do not fully tighten yet.**



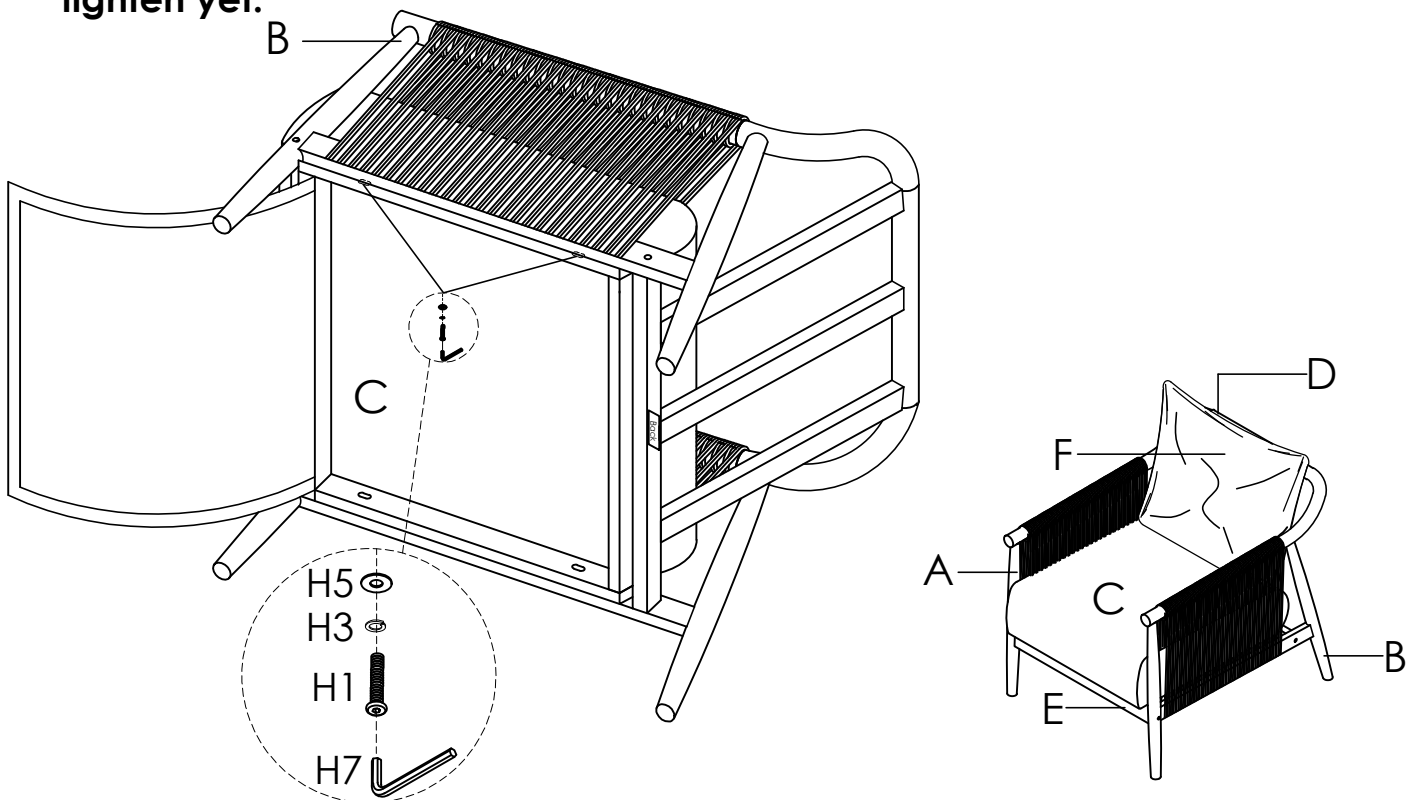
- 4** Detach the back cover on Back Frame (D).



- 5** Attach the upper side of Back Frame (D) to the upper side of Left Arm (A) as indicated below (Step 1). Attach the bottom side of the Back Frame (D) to the bottom side of Left Arm (A), using Small Flat Washers (H4), Lock Washers (H3), Short Bolts (H1), and Allen Wrench (H7), as indicated below (Step 2). **Do not fully tighten yet.**
Note: Please pay attention to the Back Label.

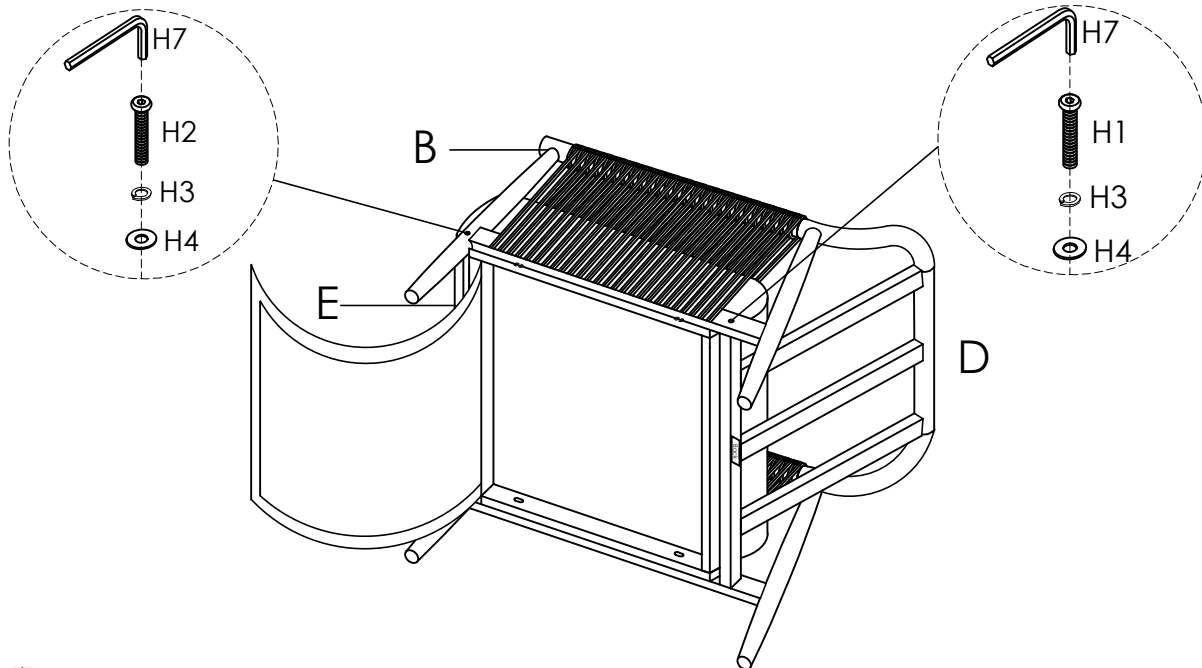


- 6** Attach Right Arm (B) to Seat (C), using Big Flat Washers (H5), Lock Washers (H3), Short Bolts (H1), and Allen Wrench (H7). **Do not fully tighten yet.**

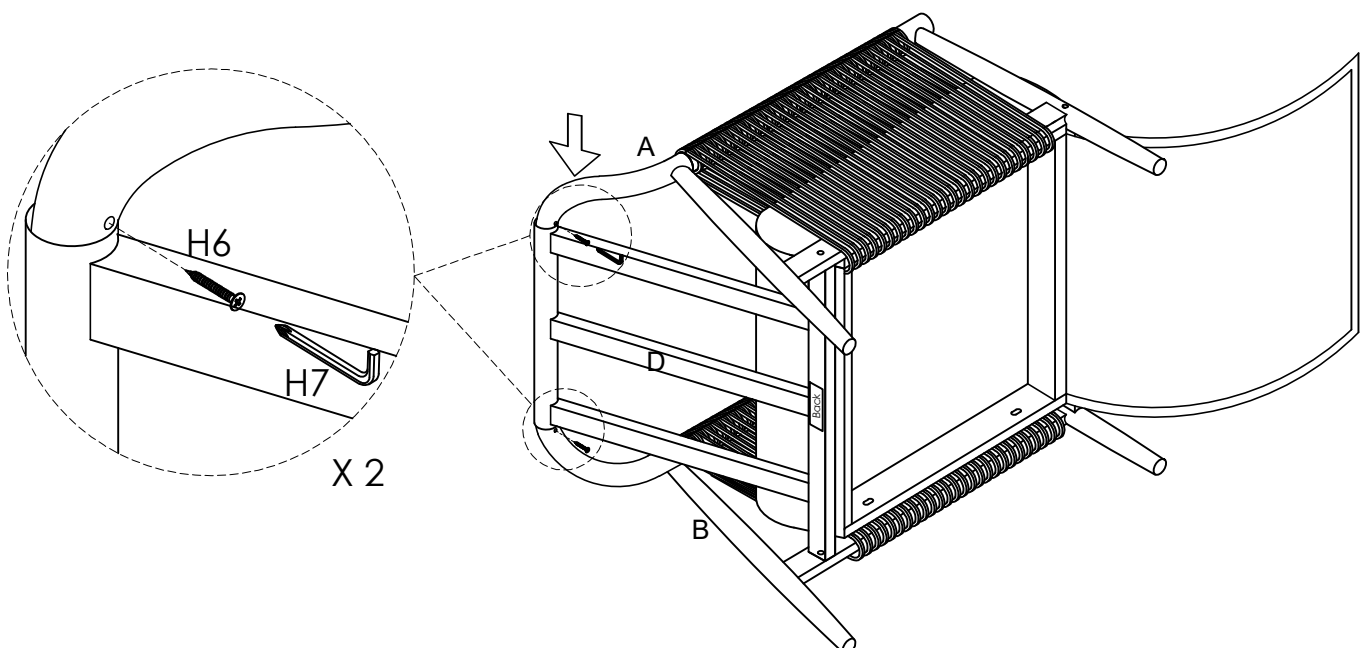


- 7** Attach Right Arm (B) to Back Frame (D), using Small Flat Washers (H4), Lock Washers (H3), Short Bolts (H1), and Allen Wrench (H7). **Do not fully tighten yet.**

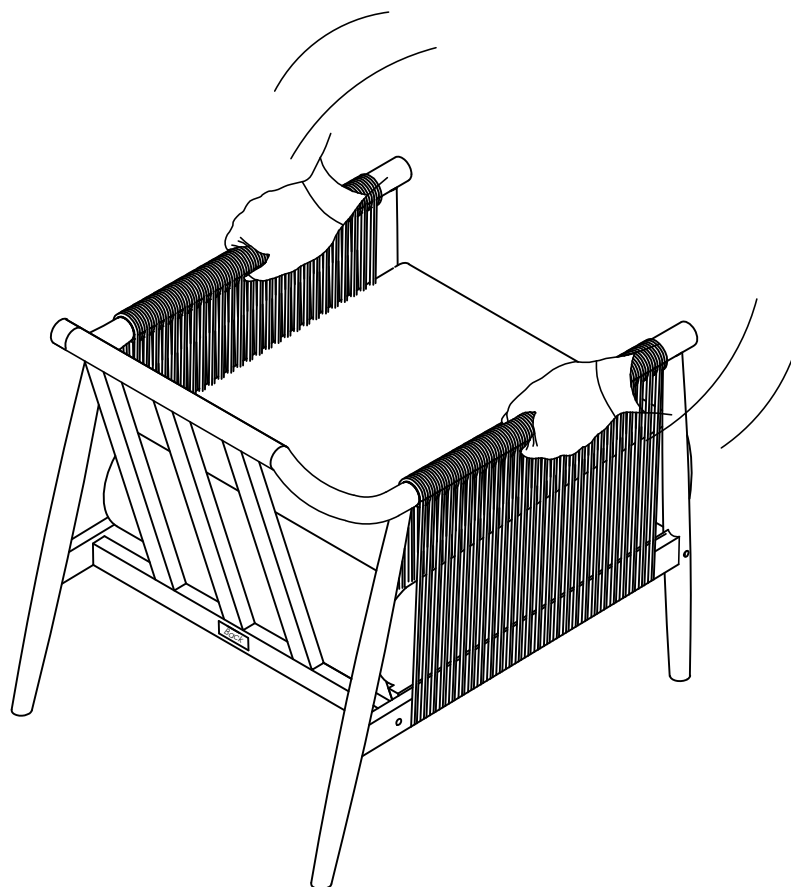
Attach Right Arm (B) to Front Rail (E), using Small Fat Washers (H4), Lock Washers (H3), Long Bolts (H2), and Allen Wrench (H7). **Do not fully tighten yet.**



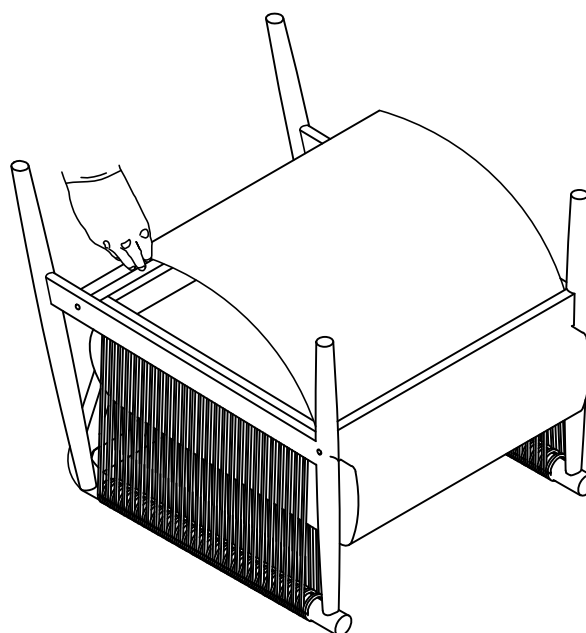
- 8** Attach Back Frame (D) to Left Arm (A) and Right Arm (B), using Flat Head Screw (H6) and Allen Wrench (H7). **Fully tighten.**



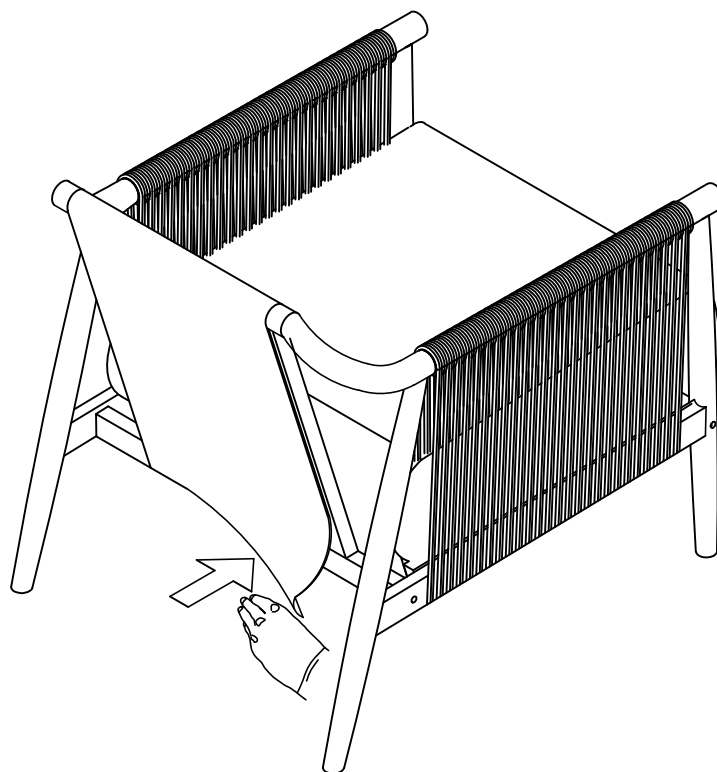
- 9 Hold two arms and rock the chair back and forth to adjust the balance.



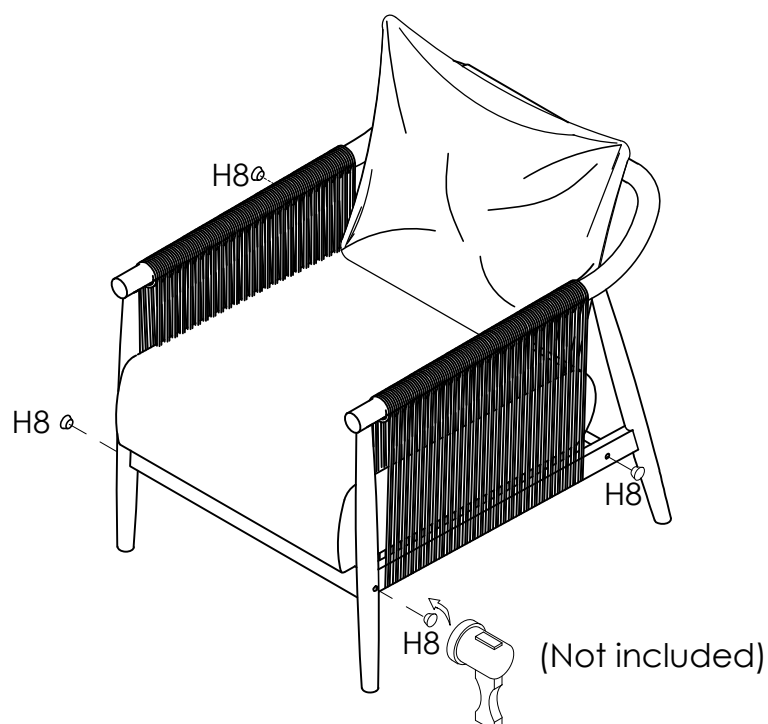
- 10 Fully tighten all bolts in Step 2, 3, 5, 6, and 7 (Eight bolts in total). Attach the Velcro underneath the Seat (C) as indicated below.



- 11** Attach the Velcro on back cover as indicated below.

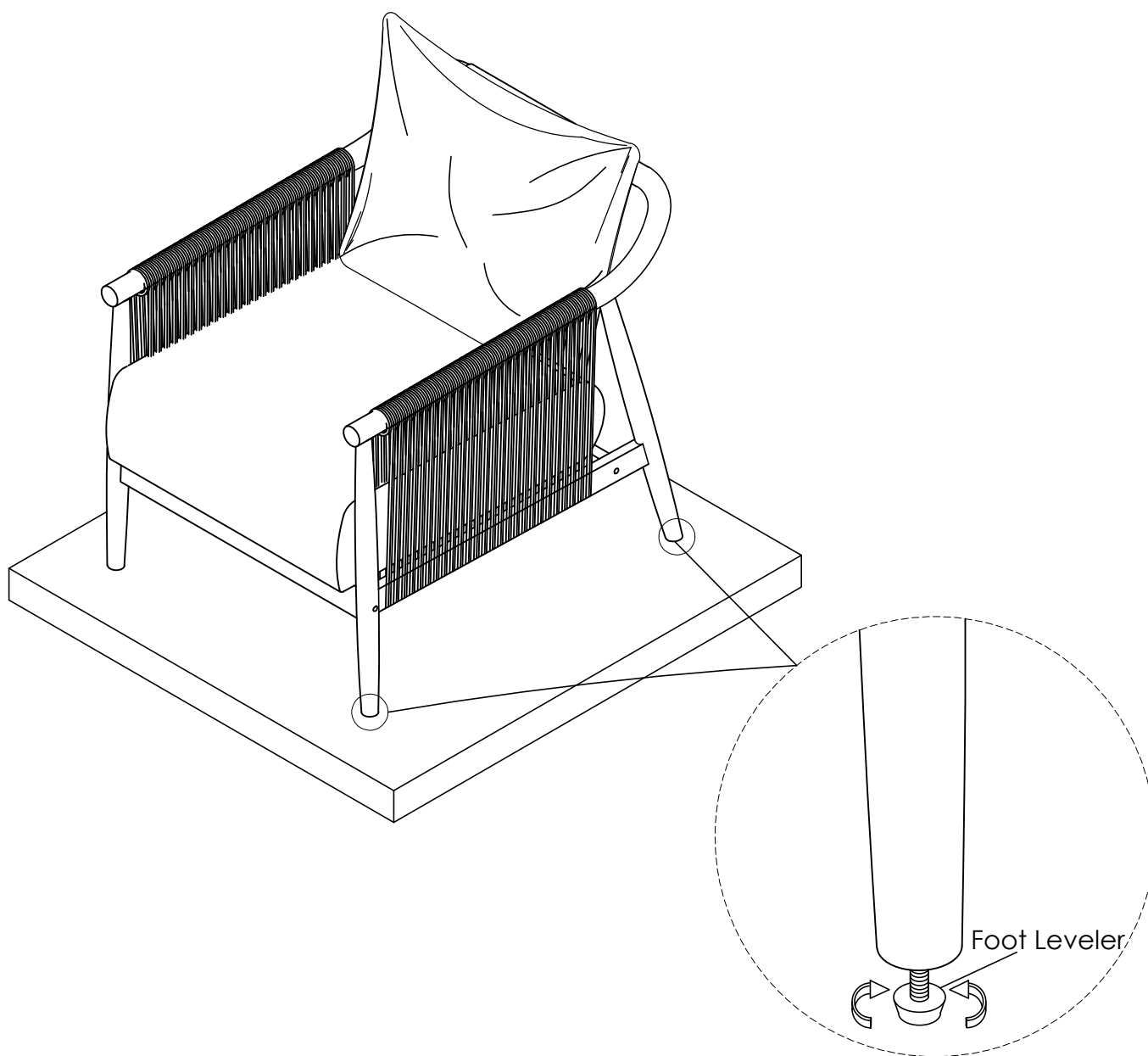


- 12** Gently tap the Wooden Plugs (H8) into Left Arm (A) and Right Arm (B).



- 13** Turn assembled chair upright and place on a flat surface. Assembly complete.

Note: Each leg has an adjustable foot leveler to help level the chair.



PRODUCT WARRANTY

- . 1-year limited on cover against splitting, peeling, and/or tearing.
- . 1-year limited on internal and external frame structure.
- . 1-year limited on cushioning material, seat springs and mechanism.

CARE & MAINTENANCE

Water Based Cleaner 'W' Spot clean using the foam only from a water-based cleaning agent such as a mild detergent or non-solvent upholstery shampoo product. Apply foam with a soft in circular motion. Vacuum when dry.

Do not place furniture in direct sunlight and keep furniture at least 60 cm / 2 feet from heat sources to avoid fading.

Follow Us



@chitalivingofficial



@chitaliving



@chitaliving



@chitaliving

If at any step you need a helping hand, we're always here for you. You can email us, or hop into a live chat on our website - whatever method is convenient for you.



support@chitaliving.com